

John Monaco
212-620-5000 ext. 353

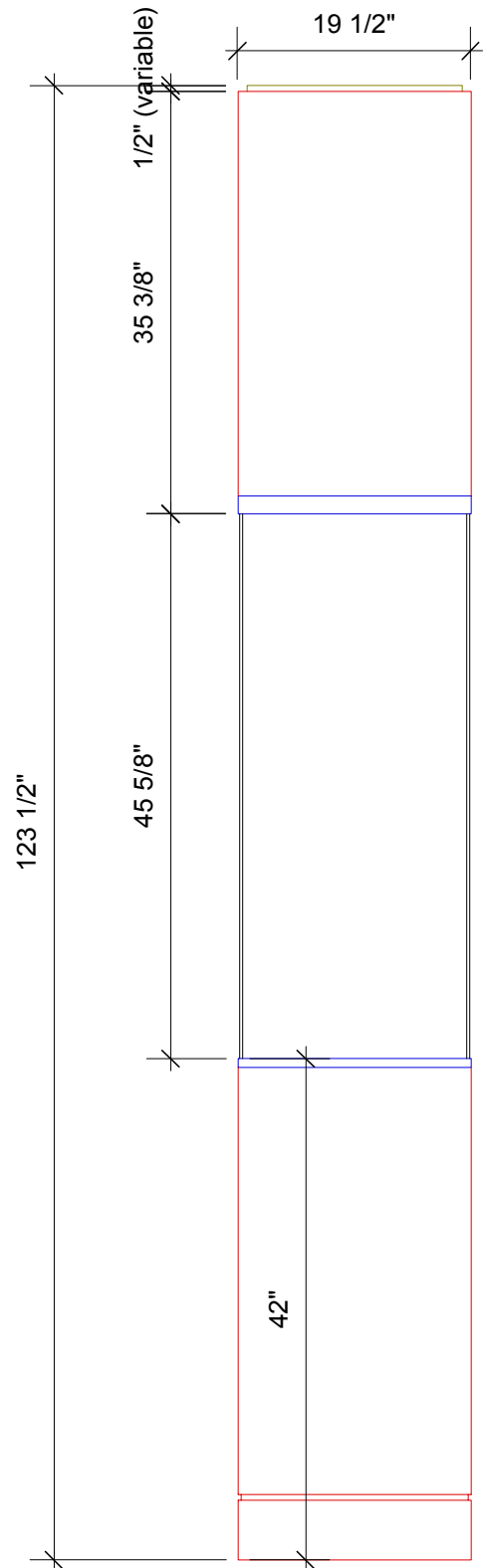
Fabiana Weinberg
212-620-5000 ext. 271
140 West 17th Street
New York, NY 10011

opening date: 03-13-15

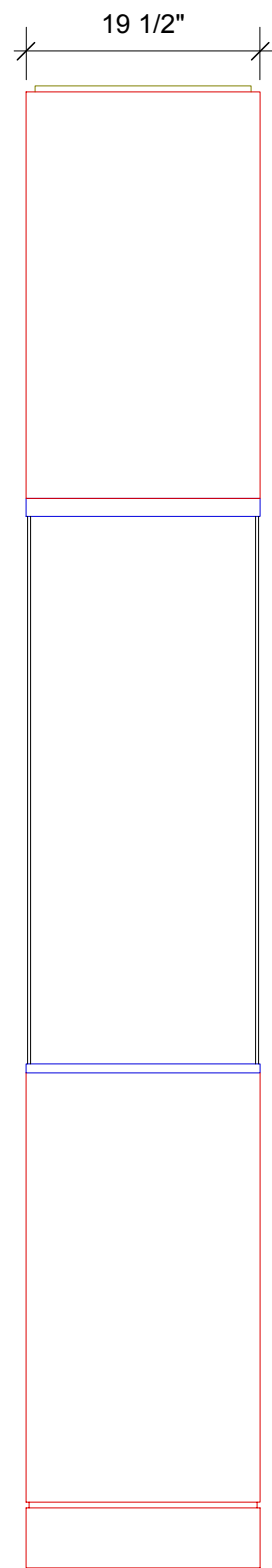
notes:

19.5x19.5
Column case
Overall

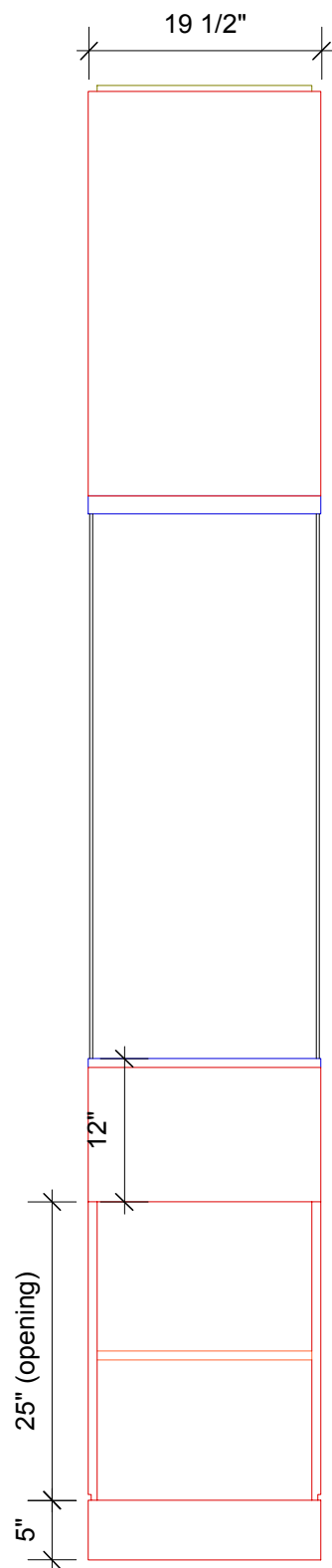
6 units required



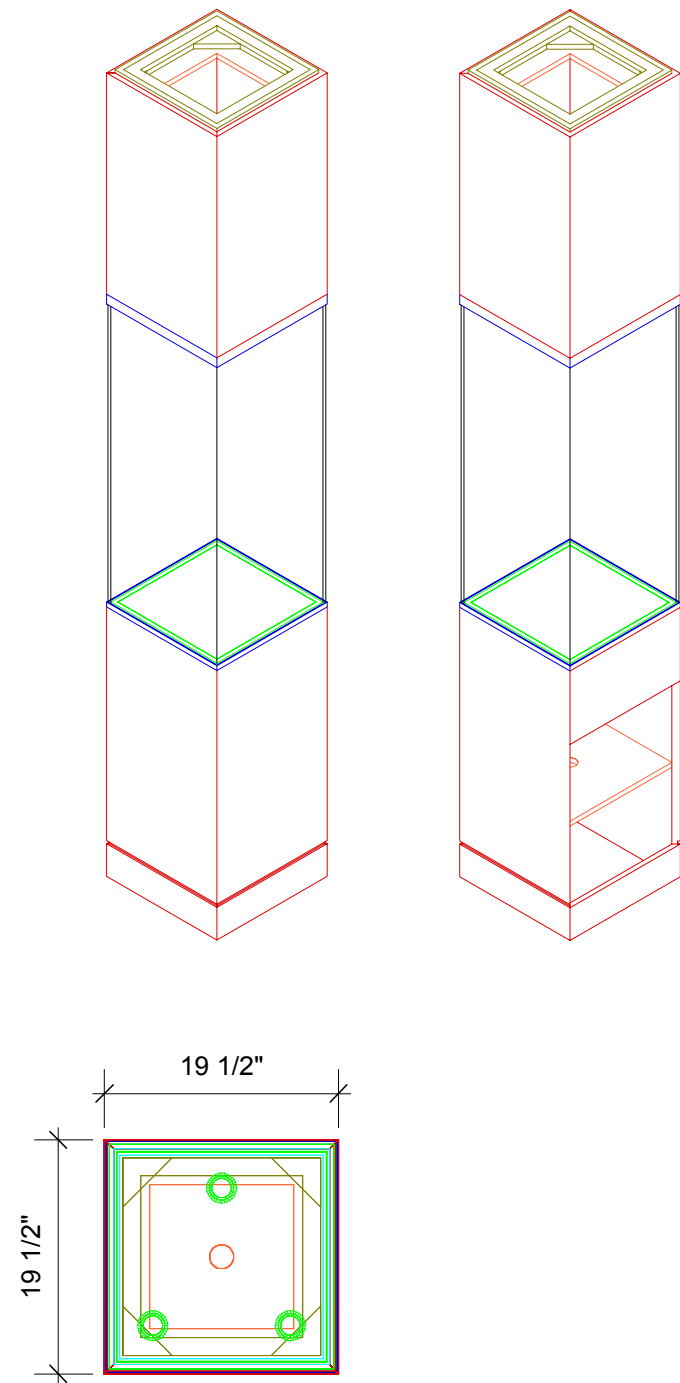
1 front
Scale: 3/4" = 1'-0"



2 side
Scale: 3/4" = 1'-0"



3 back
Scale: 3/4" = 1'-0"



4 top
Scale: 3/4" = 1'-0"

ISSUED/REVISED		
No.	Date	Description
11-04-14		
12-03-14		
12-19-14		

DRAWING TITLE
Becoming Another:
The Power of Masks

Scale

Issue Date

File Name

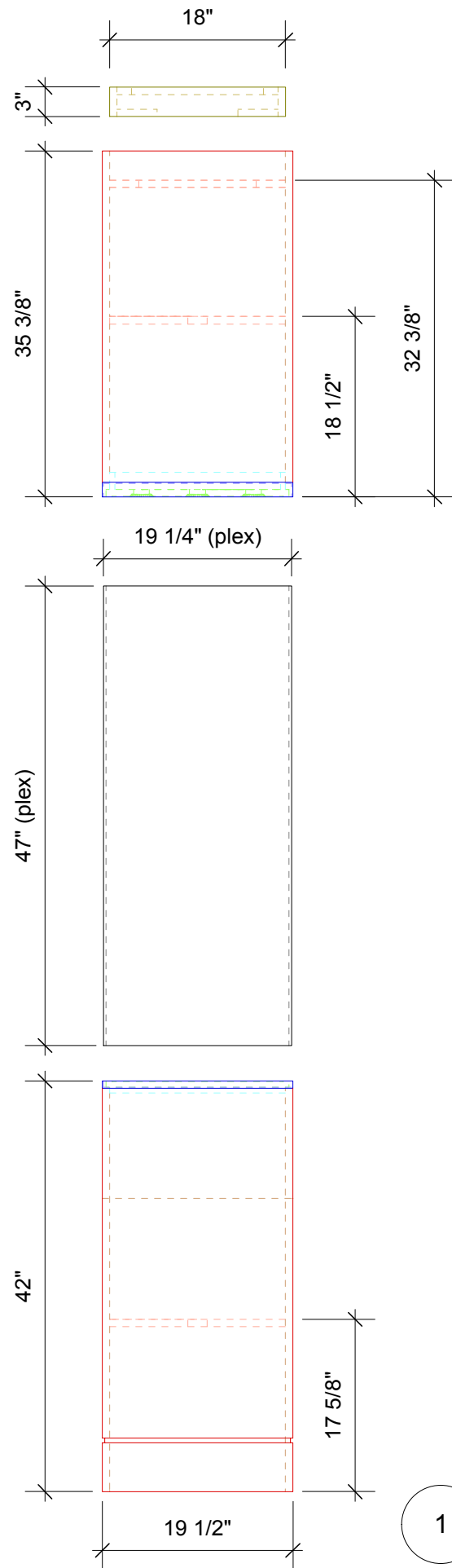
DRAWING No.

John Monaco
212-620-5000 ext. 353
Fabiana Weinberg
212-620-5000 ext. 271
140 West 17th Street
New York, NY 10011

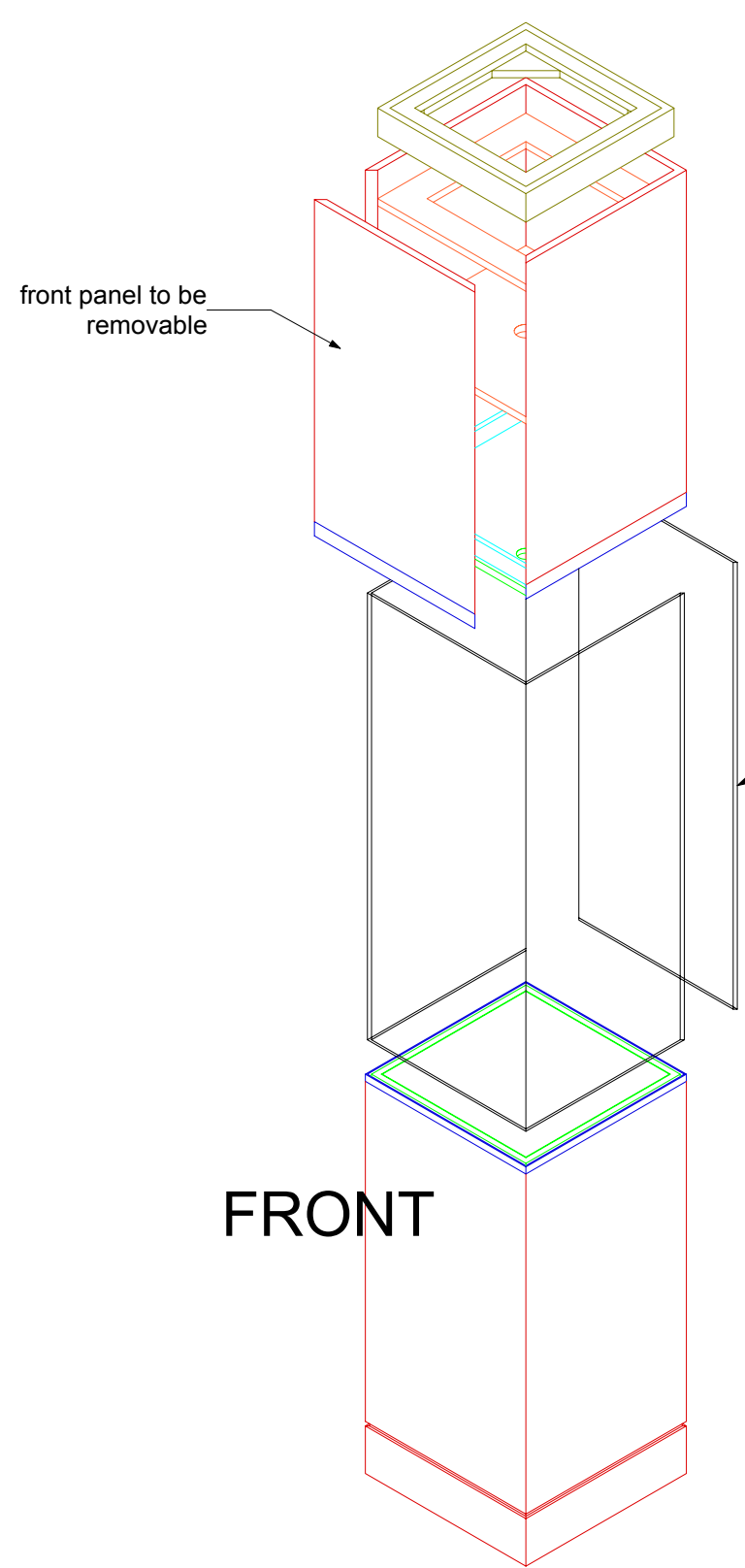
opening date: 03-13-15

notes:

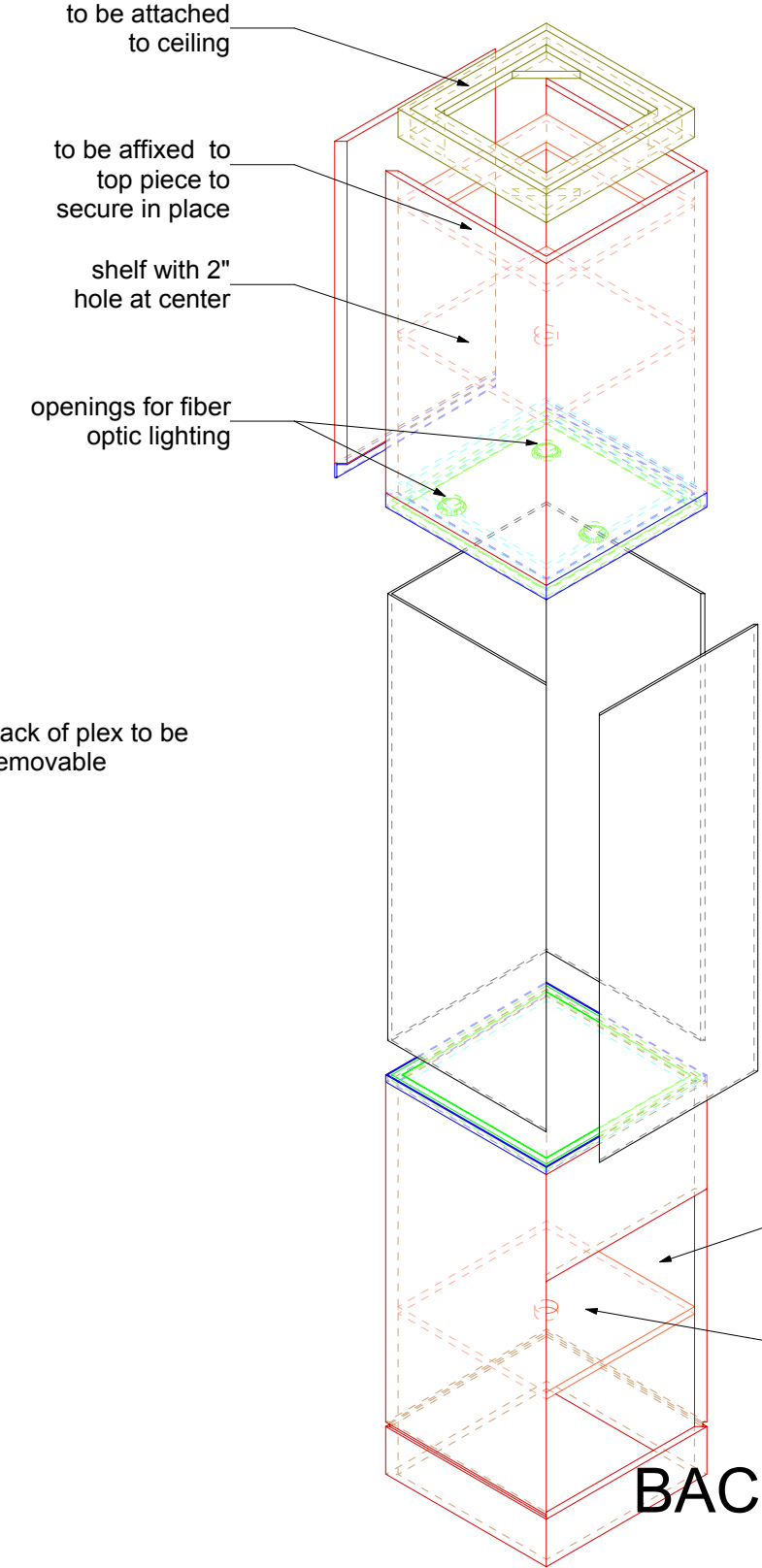
19.5x19.5
Column case
Overall exploded



1 front
Scale: 3/4" = 1'-0"



FRONT



BACK

opening at back
shelf with 2" hole at center

ISSUED/REVISED No.	Date	Description
11-04-14		
12-03-14		
12-19-14		

DRAWING TITLE
Becoming Another:
The Power of Masks

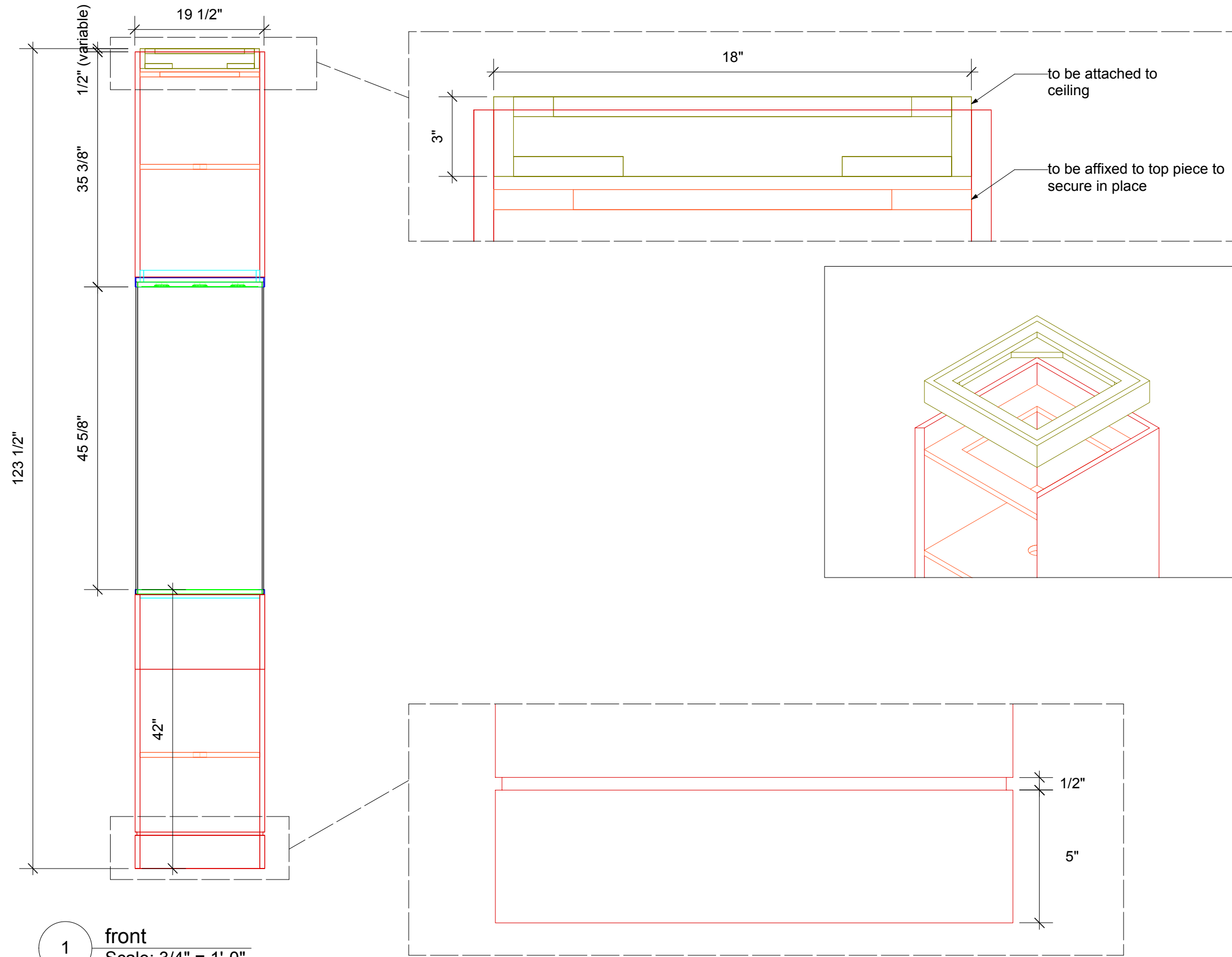
Scale
Issue Date
File Name

John Monaco
212-620-5000 ext. 353

Fabiana Weinberg
212-620-5000 ext. 271
140 West 17th Street
New York, NY 10011

opening date: 03-13-15

notes:



19.5x19.5
Column case
Details

Ceiling and base
conditions

1 front
Scale: 3/4" = 1'-0"

ISSUED/REVISED No.	Date	Description
11-04-14		
12-03-14		
12-19-14		

DRAWING TITLE
Becoming Another:
The Power of Masks

Scale

Issue Date

File Name

DRAWING No.

John Monaco
212-620-5000 ext. 353

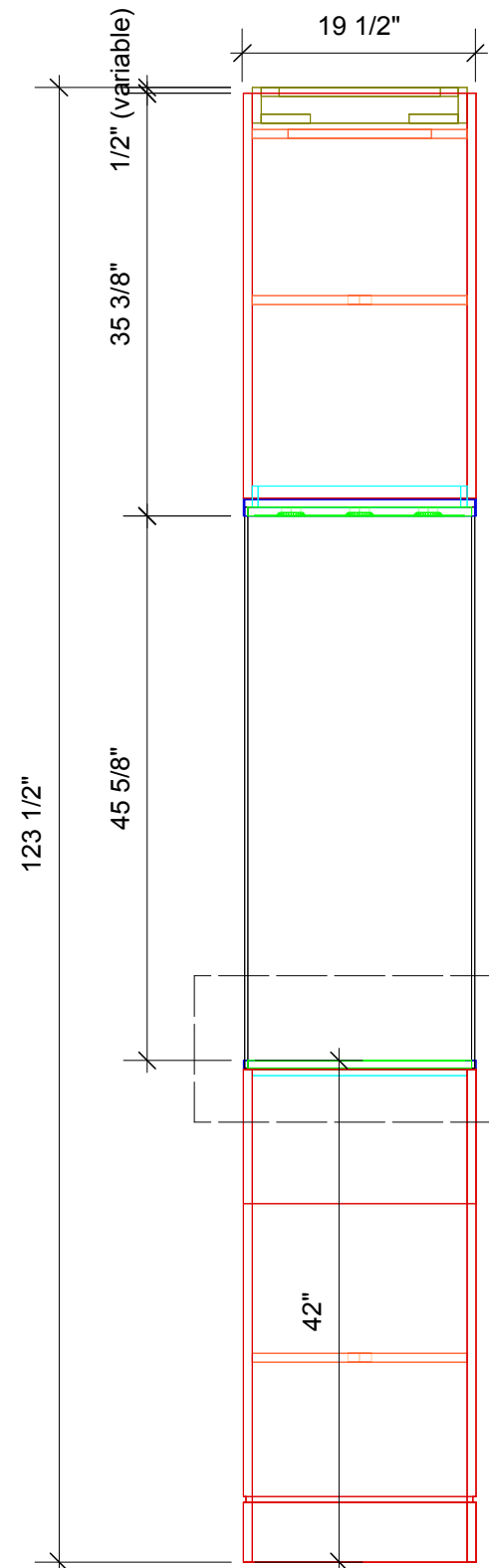
Fabiana Weinberg
212-620-5000 ext. 271
140 West 17th Street
New York, NY 10011

opening date: 03-13-15

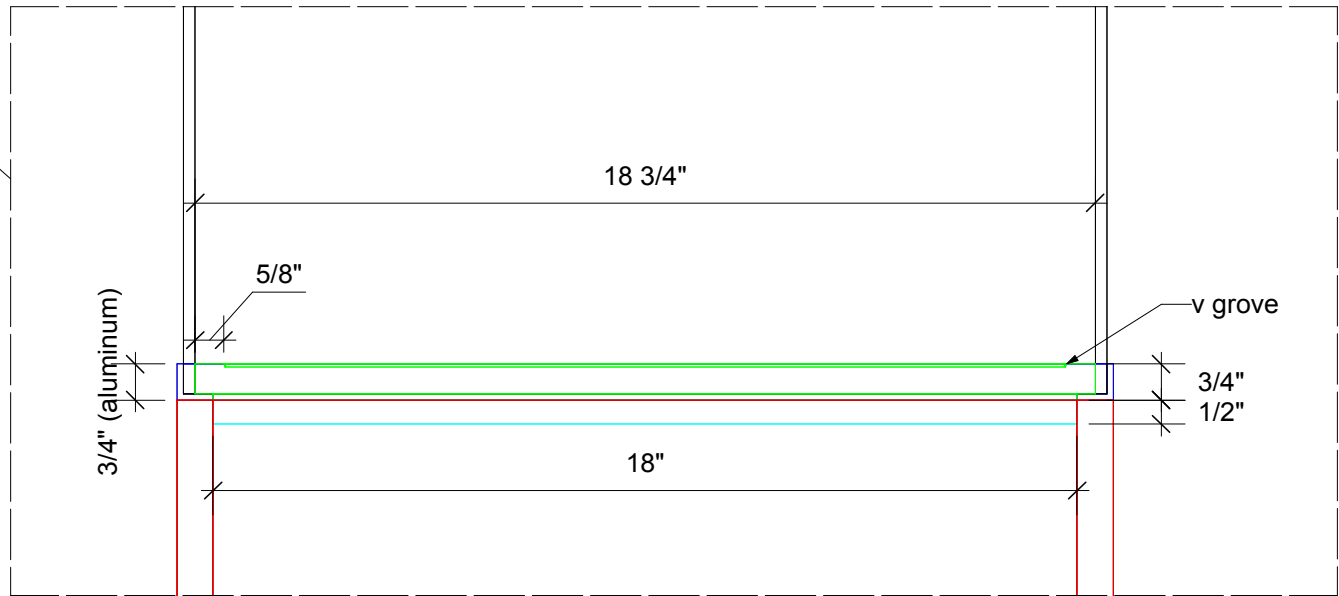
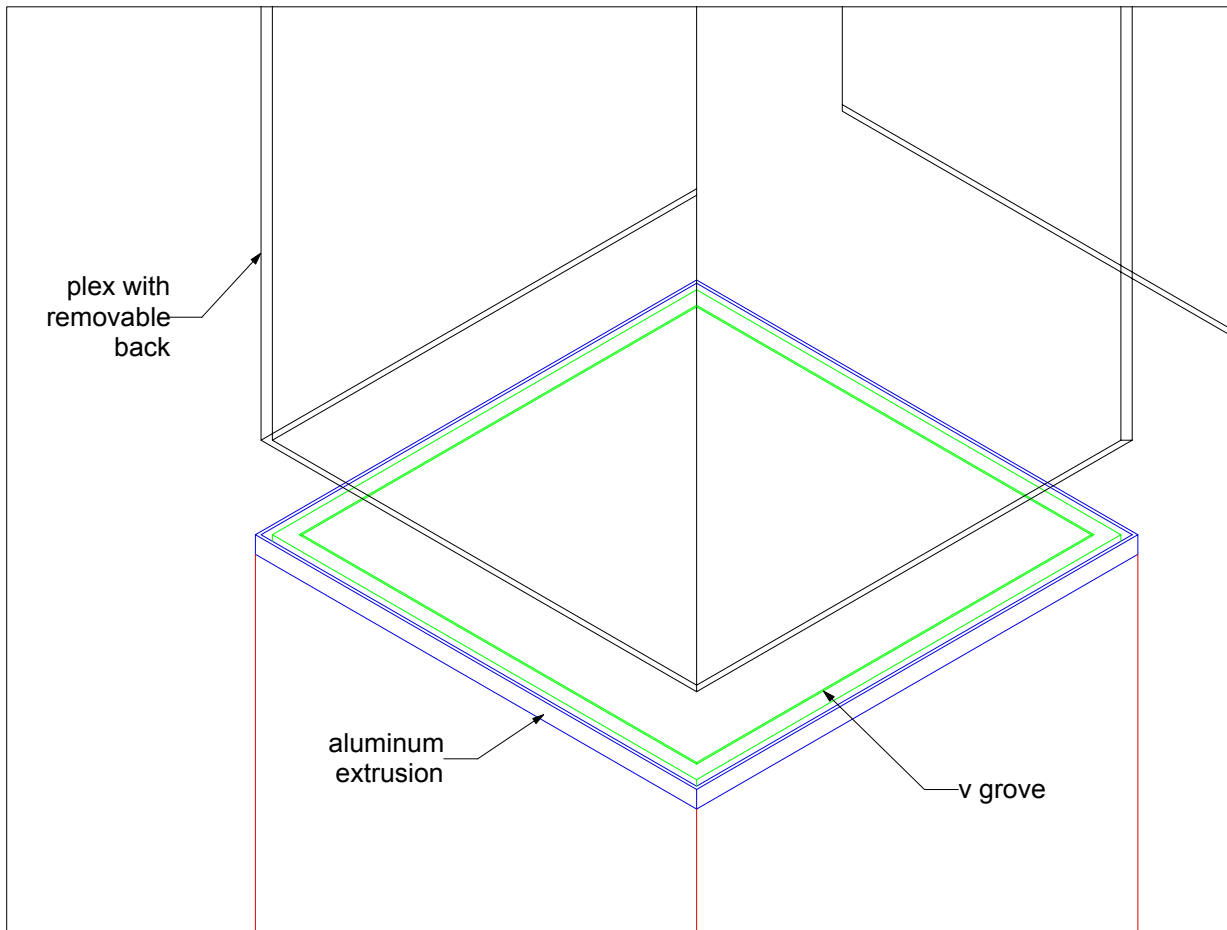
notes:

19.5x19.5
Column case
Details

Lower deck
conditions



1 front
Scale: 3/4" = 1'-0"



ISSUED/REVISED No.	Date	Description
11-04-14		
12-03-14		
12-19-14		

DRAWING TITLE
Becoming Another:
The Power of Masks

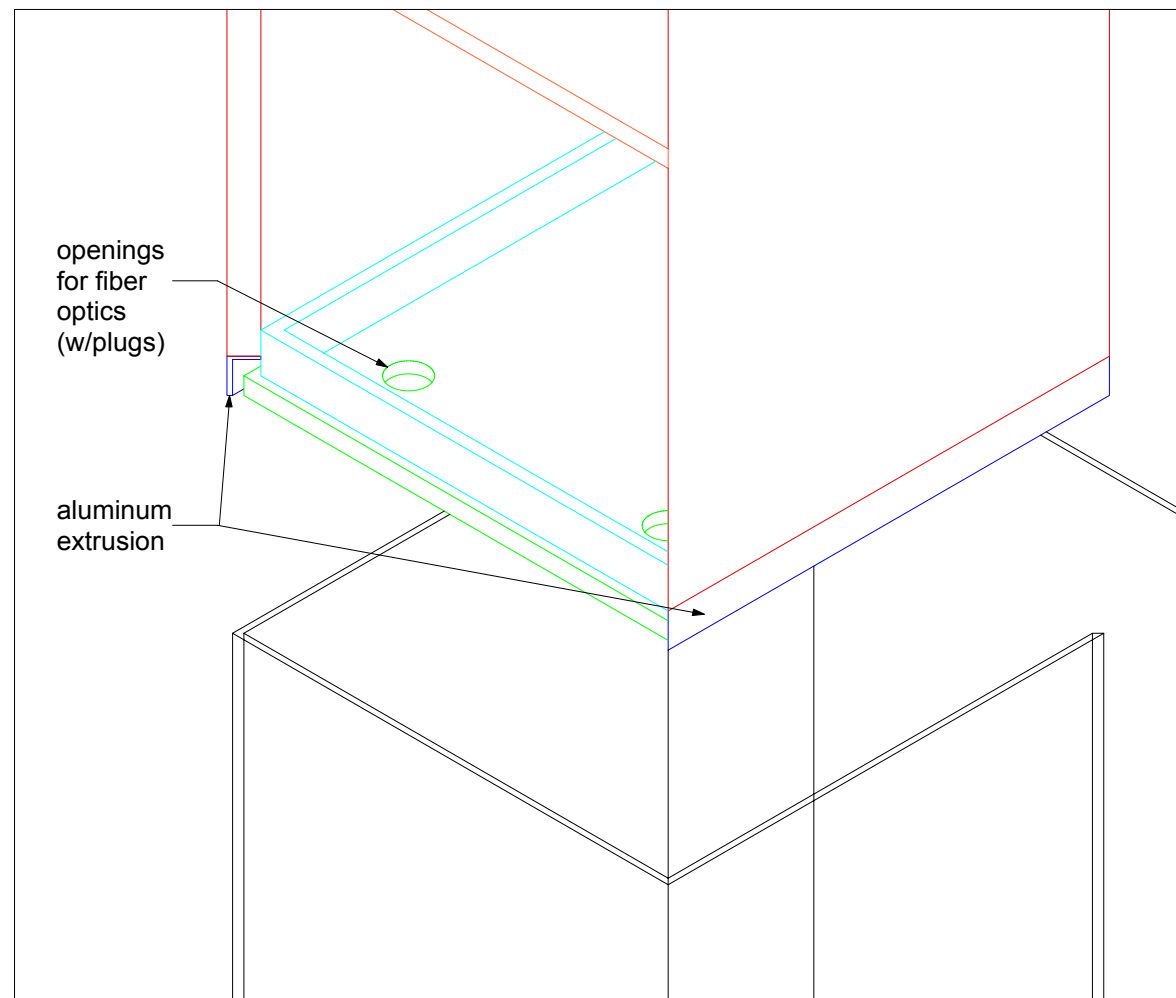
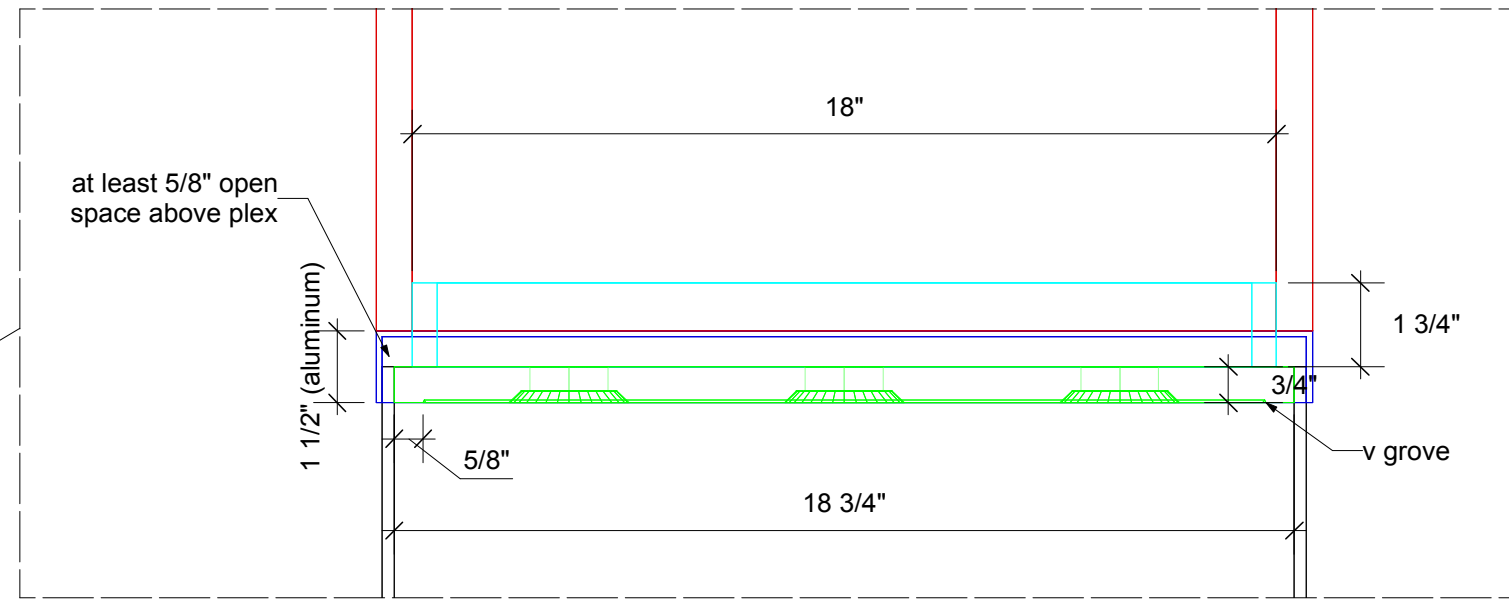
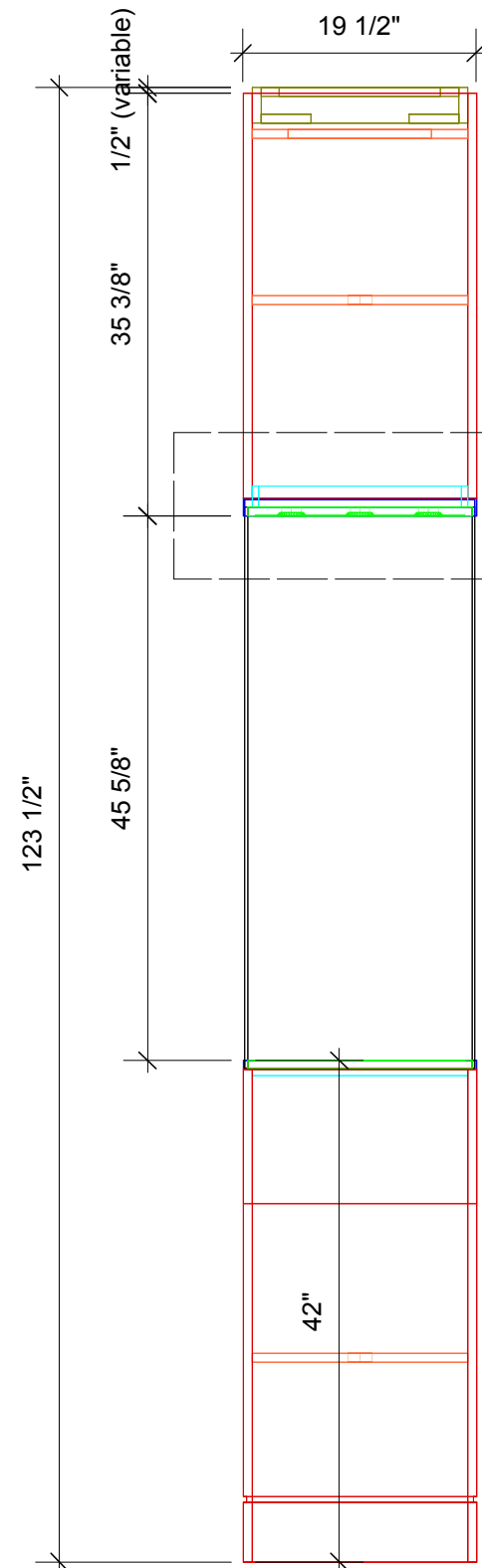
Scale
Issue Date
File Name

John Monaco
212-620-5000 ext. 353

Fabiana Weinberg
212-620-5000 ext. 271
140 West 17th Street
New York, NY 10011

opening date: 03-13-15

notes:



19.5x19.5
Column case
Details

Upper deck
conditions

1 front
Scale: 3/4" = 1'-0"

ISSUED/REVISED No.	Date	Description
11-04-14		
12-03-14		
12-19-14		

DRAWING TITLE
Becoming Another:
The Power of Masks

Scale

Issue Date

File Name

DRAWING No.

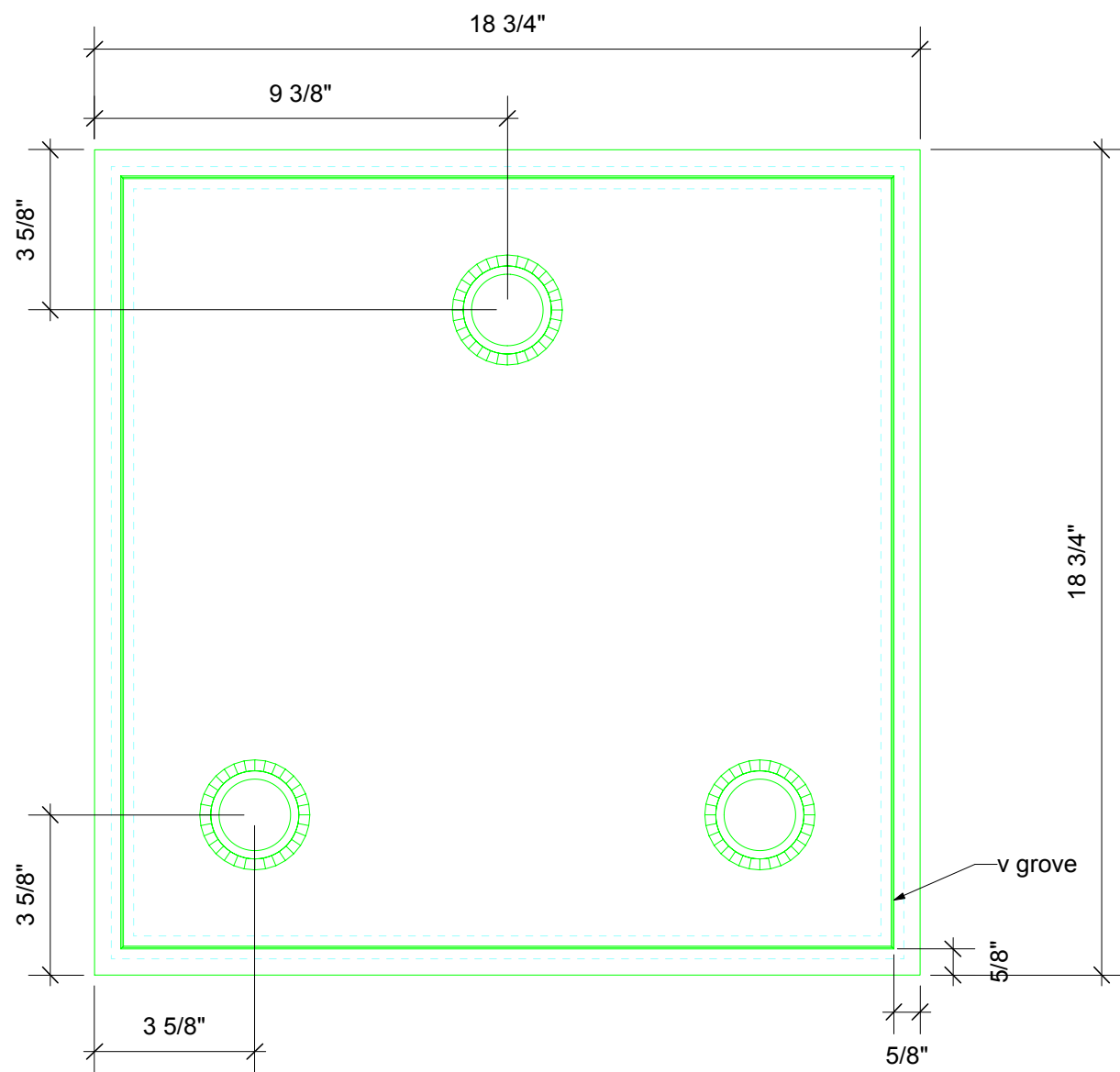
John Monaco
212-620-5000 ext. 353

Fabiana Weinberg
212-620-5000 ext. 271

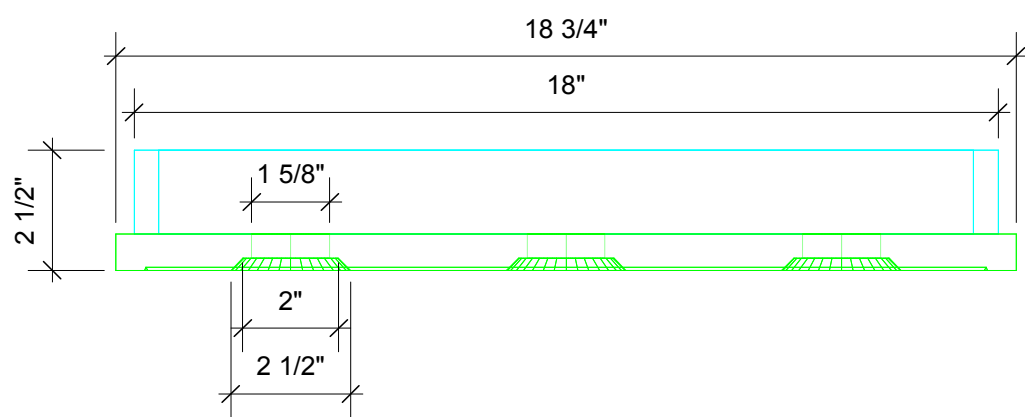
140 West 17th Street
New York, NY 10011

opening date: 03-13-15

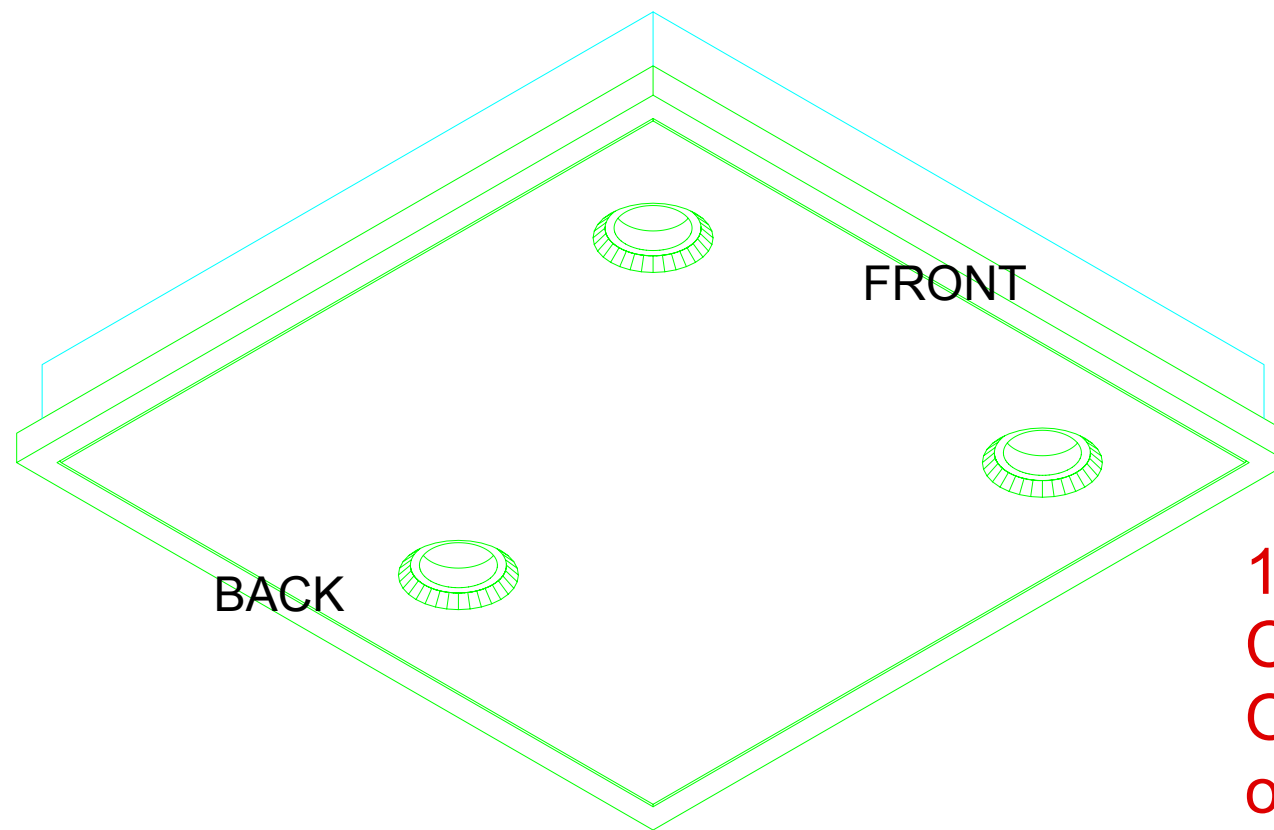
notes:



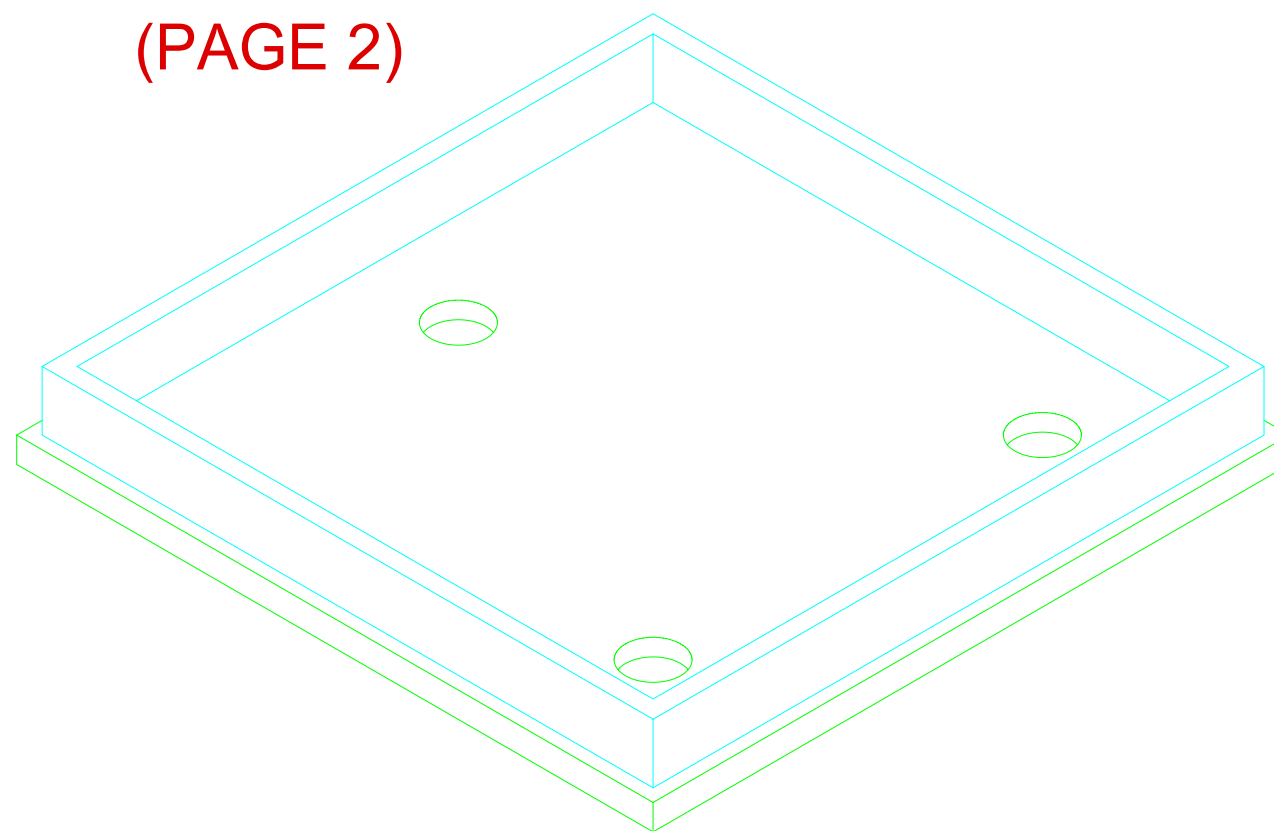
1 top
Scale: 3" = 1'-0"



2 front
Scale: 3" = 1'-0"



SEE EXPLODED VIEW FOR
ORIENTATION
(PAGE 2)



19.5x19.5
Column case
Opening for fiber
optics

ISSUED/REVISED No.	Date	Description
11-04-14		
12-03-14		
12-19-14		

DRAWING TITLE
Becoming Another:
The Power of Masks

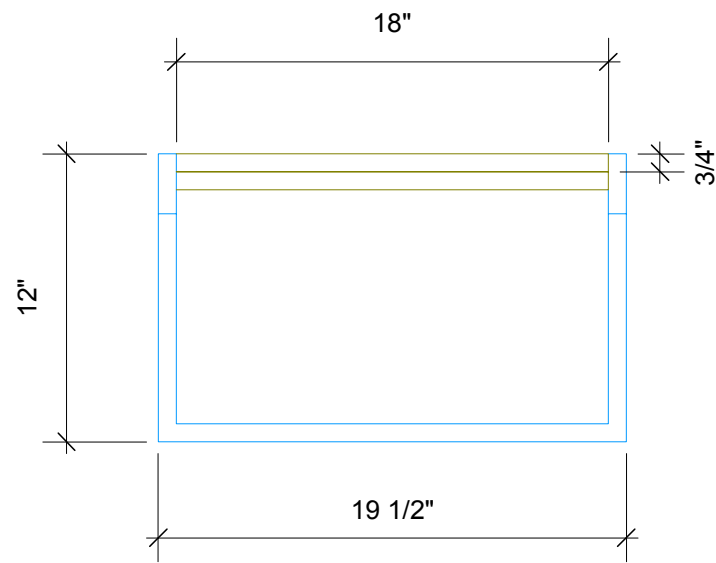
Scale

Issue Date

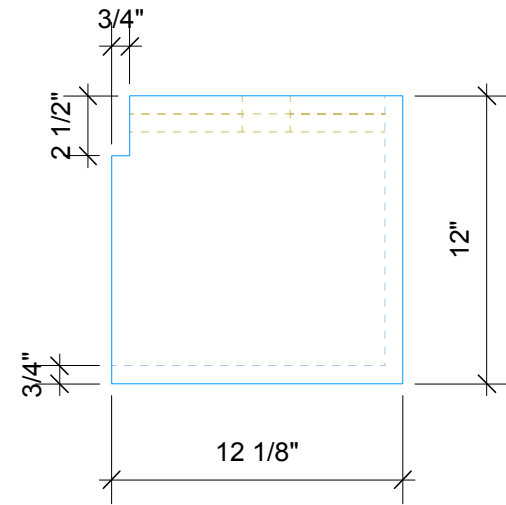
File Name

DRAWING No.

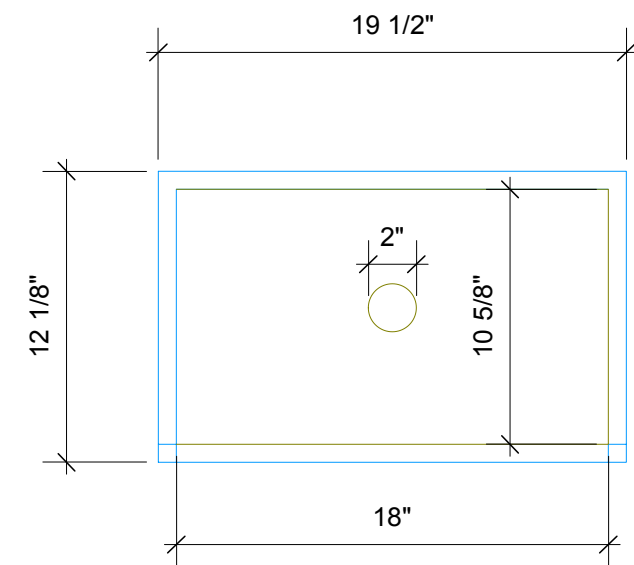
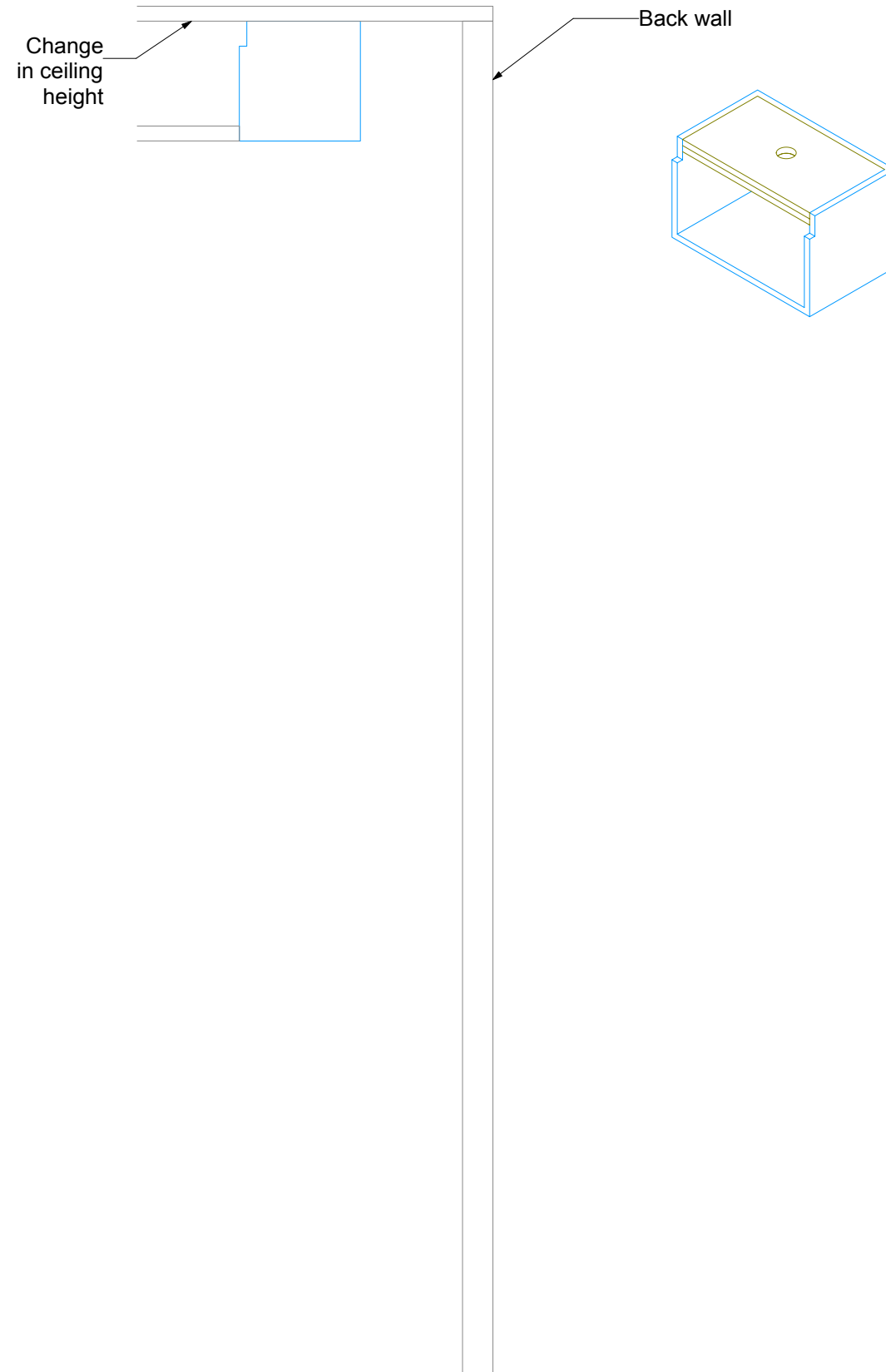
Cove filler for North column cases



1 front
Scale: 1 1/2" = 1'-0"

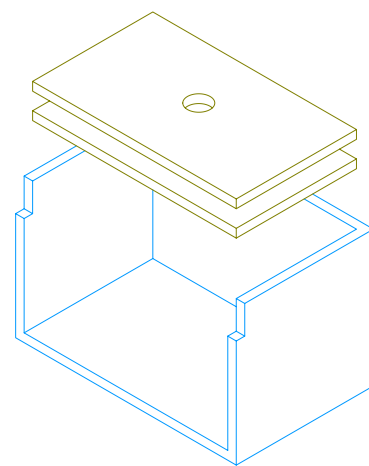


2 side
Scale: 1 1/2" = 1'-0"



3 top
Scale: 1 1/2" = 1'-0"

2 units required



Exploded view

4 side view with context
Scale: 3/4" = 1'-0"

ISSUED/REVISED		
No.	Date	Description
11-04-14		
12-03-14		
12-19-14		

DRAWING TITLE
Becoming Another:
The Power of Masks

Scale

Issue Date

File Name

DRAWING No.

