

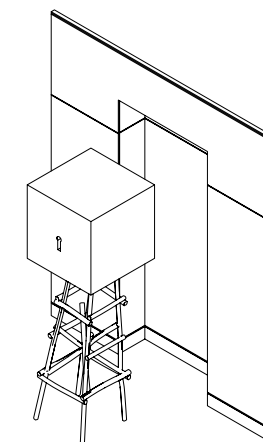
John Monaco  
212-620-5000 ext. 353

140 West 17th Street  
New York, NY 10011

opening date: 09-05-14

notes:

Four (4) complete  
niche units to be  
constructed

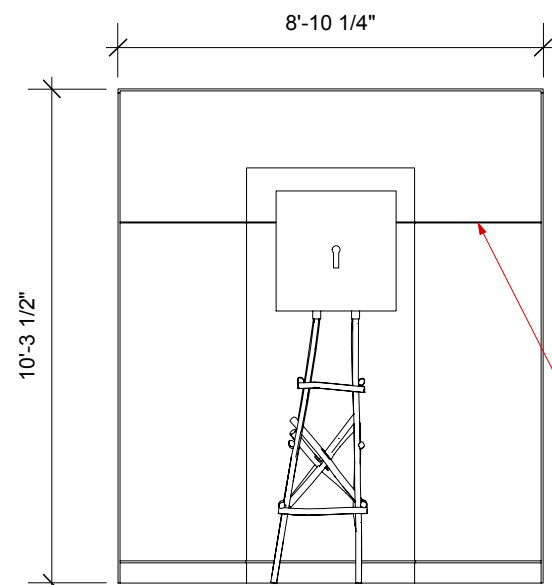


ISSUED/REVISED		
No.	Date	Description
	04-15-14	
	06-02-14	

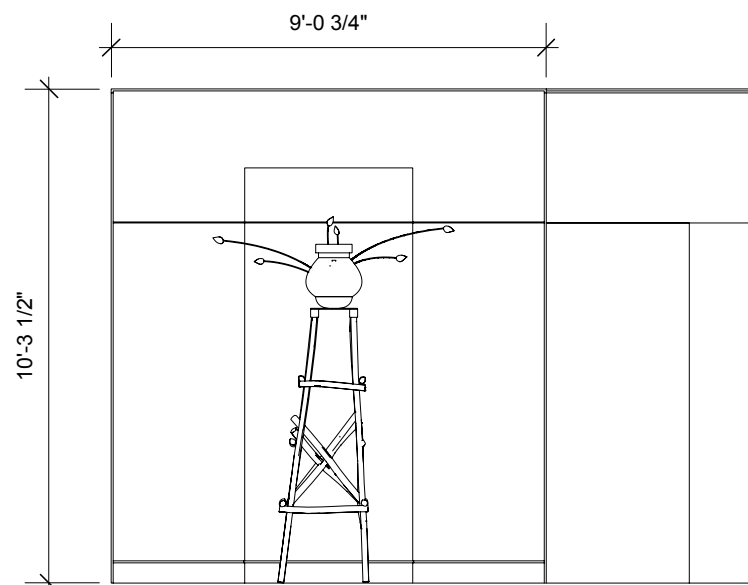
DRAWING TITLE  
Clemente: Niche walls  
Overview

Scale  
Issue Date  
File Name  
DRAWING  
No.

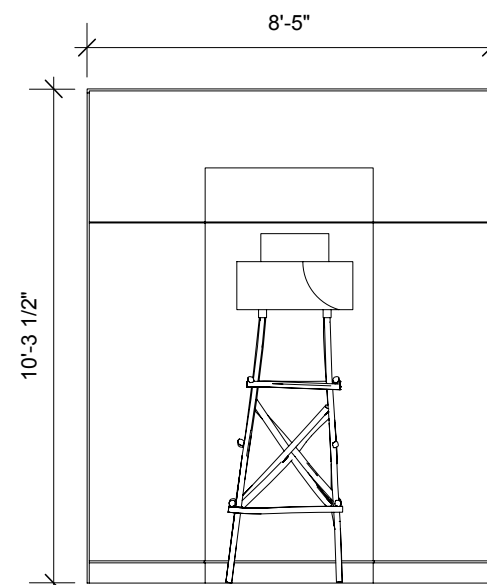
**A**  
South west niche



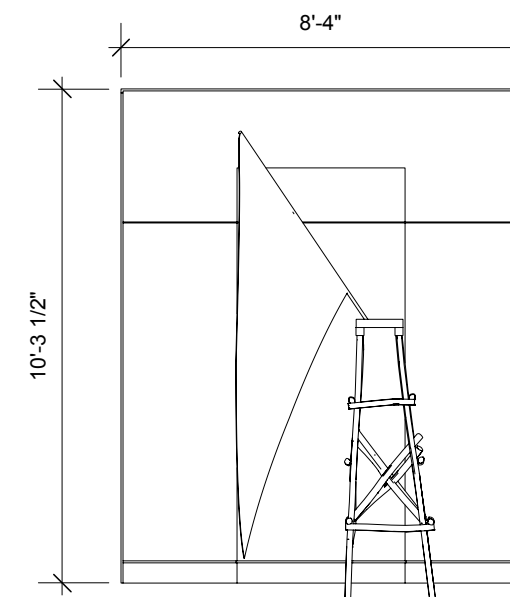
**B1 & B2**  
North west niche (double sided)



**C**  
South east niche

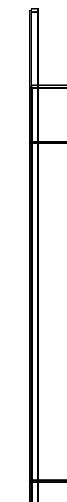
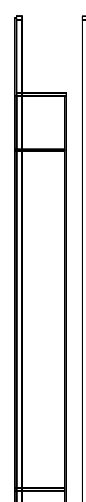
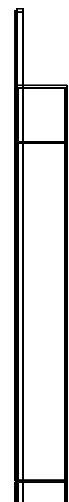


**D**  
North east niche

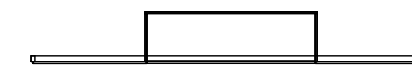
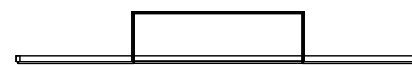
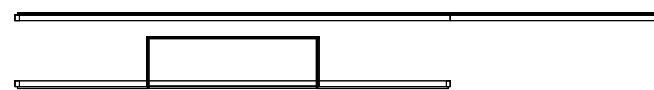
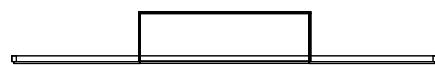


QUIRK CONSTRUCTED AT 7'-11" FOR NICHE WALLS ONLY  
QUIRK REMAINS AT 7'-6" FOR ALL OTHER WALLS

1 front  
Scale: 1/4" = 1'-0"



2 side  
Scale: 1/4" = 1'-0"



3 top/plan  
Scale: 1/4" = 1'-0"

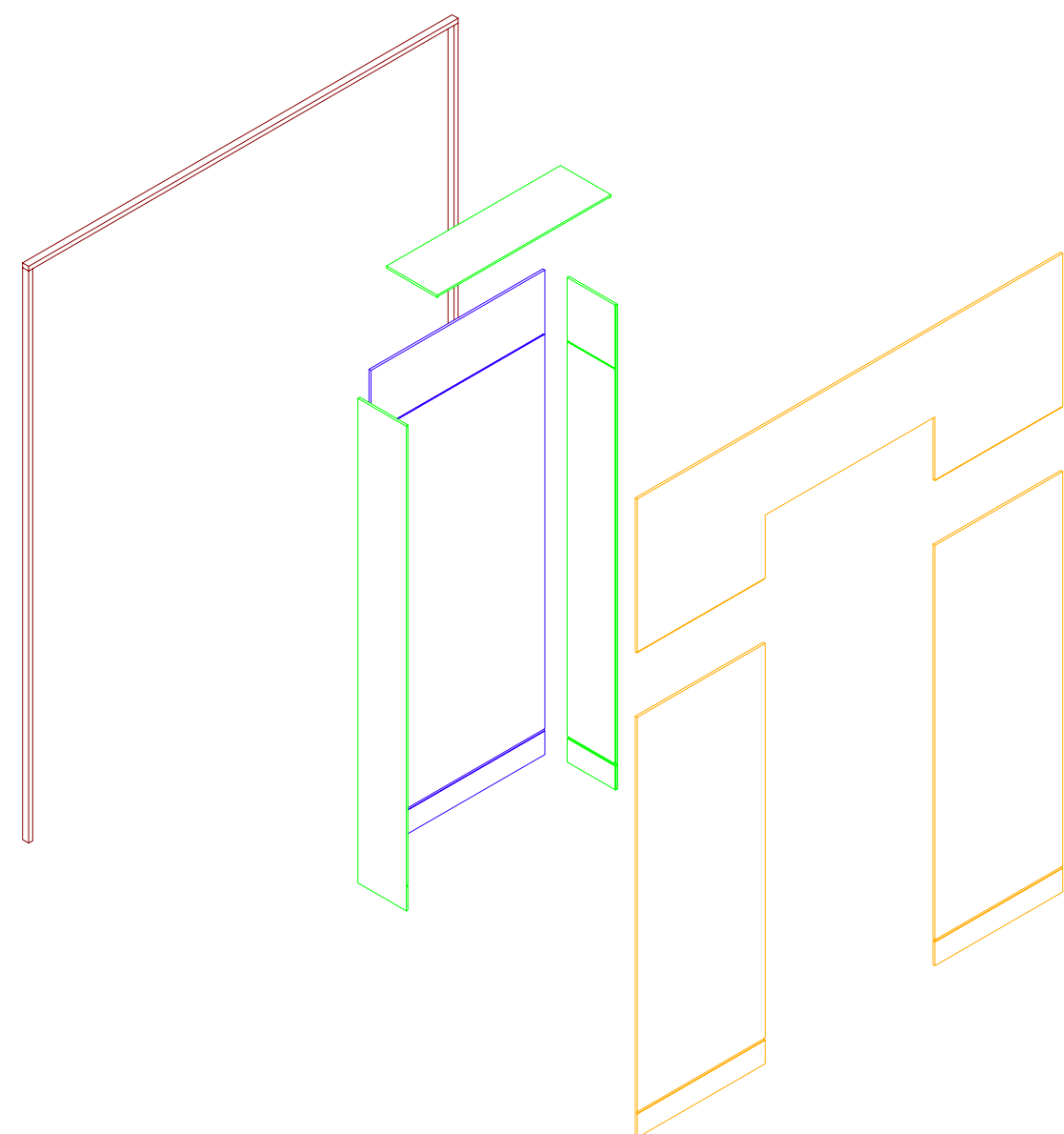
THE  
RUBIN  
MUSEUM  
OF  
ART

John Monaco  
212-620-5000 ext. 353

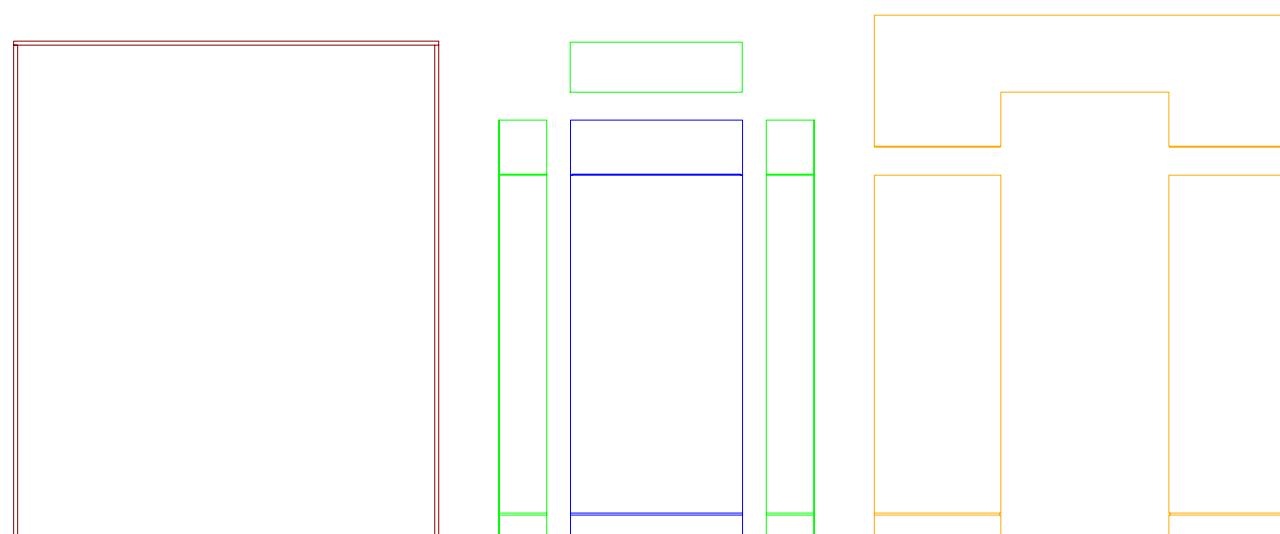
140 West 17th Street  
New York, NY 10011

opening date: 09-05-14

notes:



1 Exploded left isometric view  
Scale: 3/8" = 1'-0"



2 Unfolded front view  
Scale: 1/4" = 1'-0"

ISSUED/REVISED		
No.	Date	Description
	04-15-14	
	06-02-14	

DRAWING TITLE  
Clemente: Niche walls  
Additional views

Scale  
Issue Date  
File Name

DRAWING  
No.

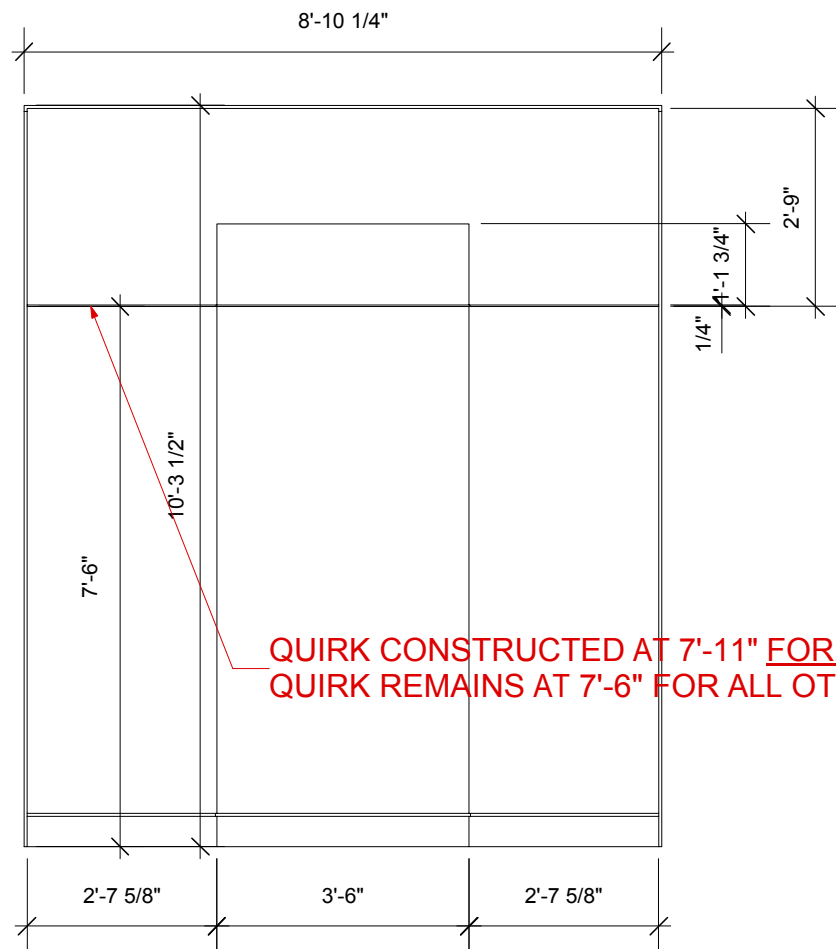
John Monaco  
212-620-5000 ext. 353

140 West 17th Street  
New York, NY 10011

opening date: 09-05-14

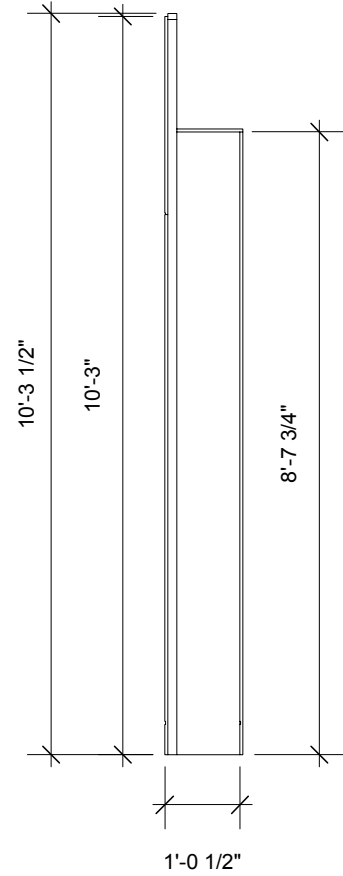
notes:

All seams to remain



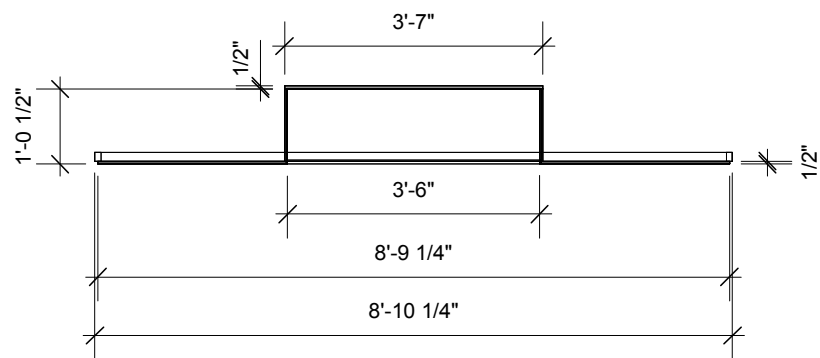
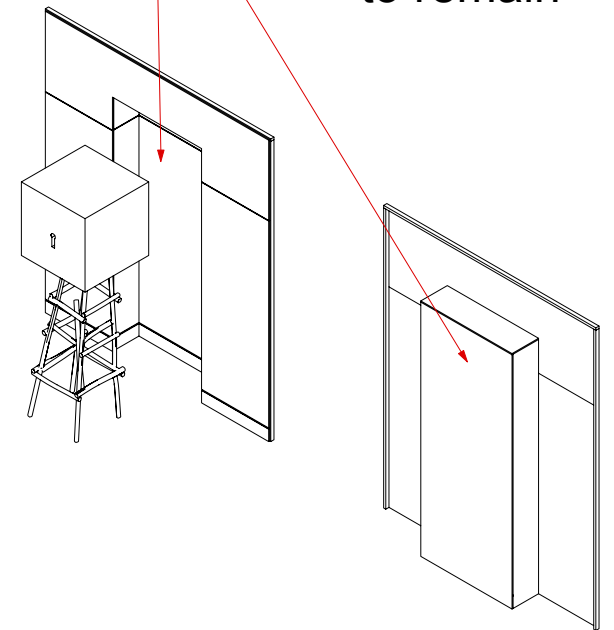
QUIRK CONSTRUCTED AT 7'-11" FOR NICHE ONLY  
QUIRK REMAINS AT 7'-6" FOR ALL OTHER WALLS

1 front  
Scale: 3/8" = 1'-0"



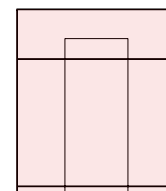
2 side  
Scale: 3/8" = 1'-0"

Center panel to be operable to allow for access behind niche

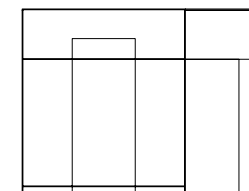


3 top/plan  
Scale: 3/8" = 1'-0"

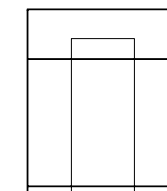
A South west niche



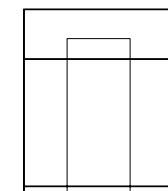
B1 & B2 North west niche



C South east niche



D North east niche



ISSUED/REVISED		
No.	Date	Description
	04-15-14	
	06-02-14	

DRAWING TITLE  
**Clemente: Niche walls**  
**A (South west niche)**

Scale

Issue Date

File Name

DRAWING No.

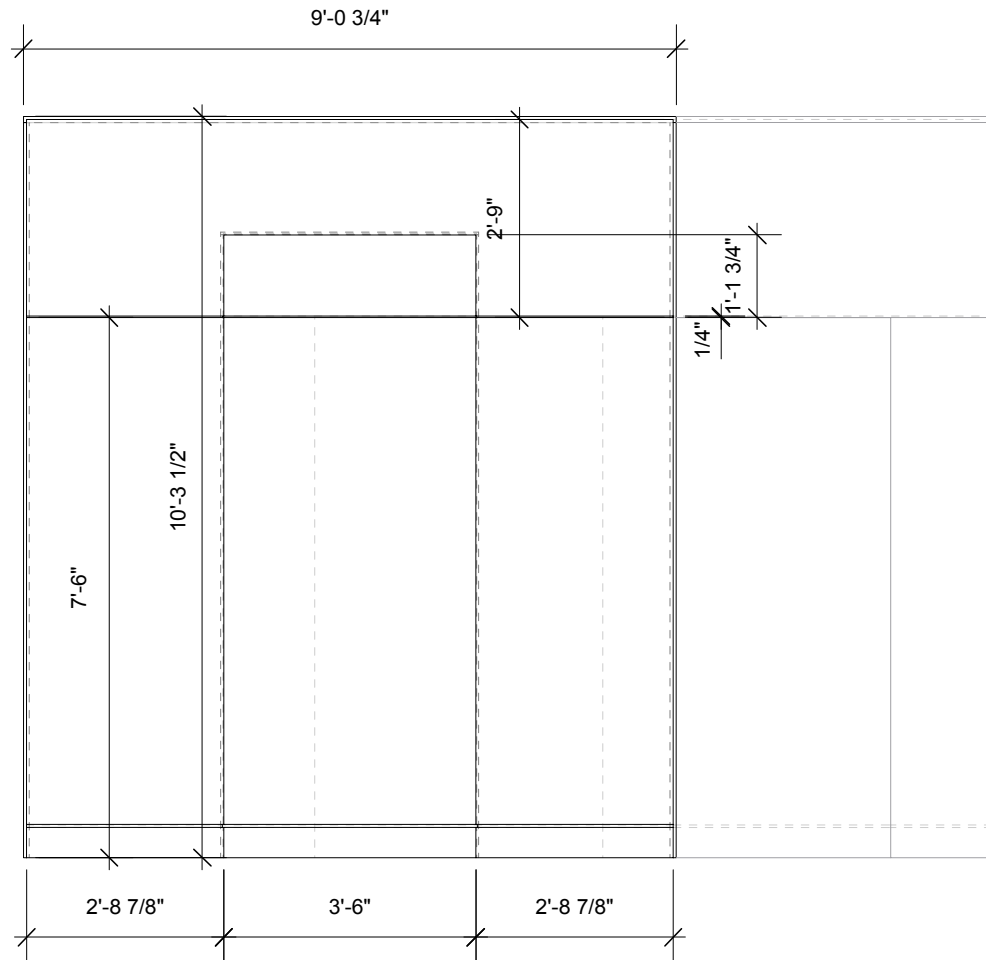
John Monaco  
212-620-5000 ext. 353

140 West 17th Street  
New York, NY 10011

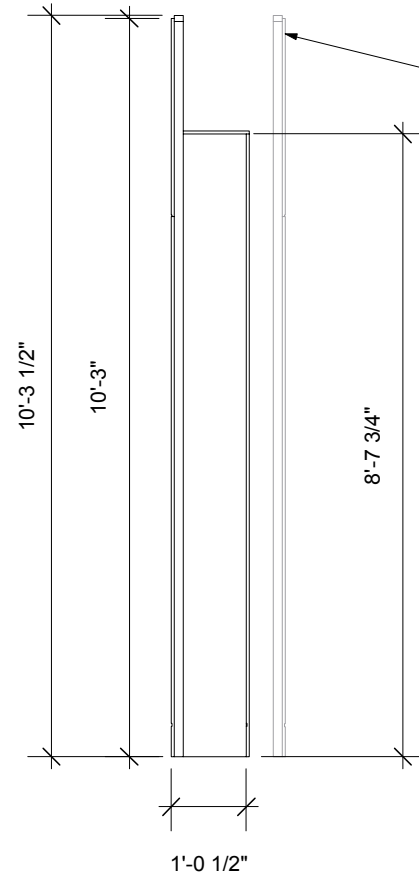
opening date: 09-05-14

notes:

All seams to remain

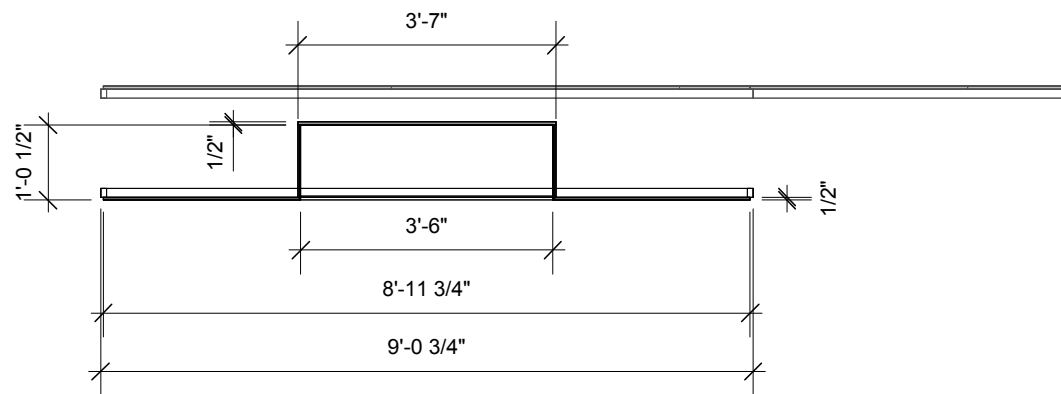
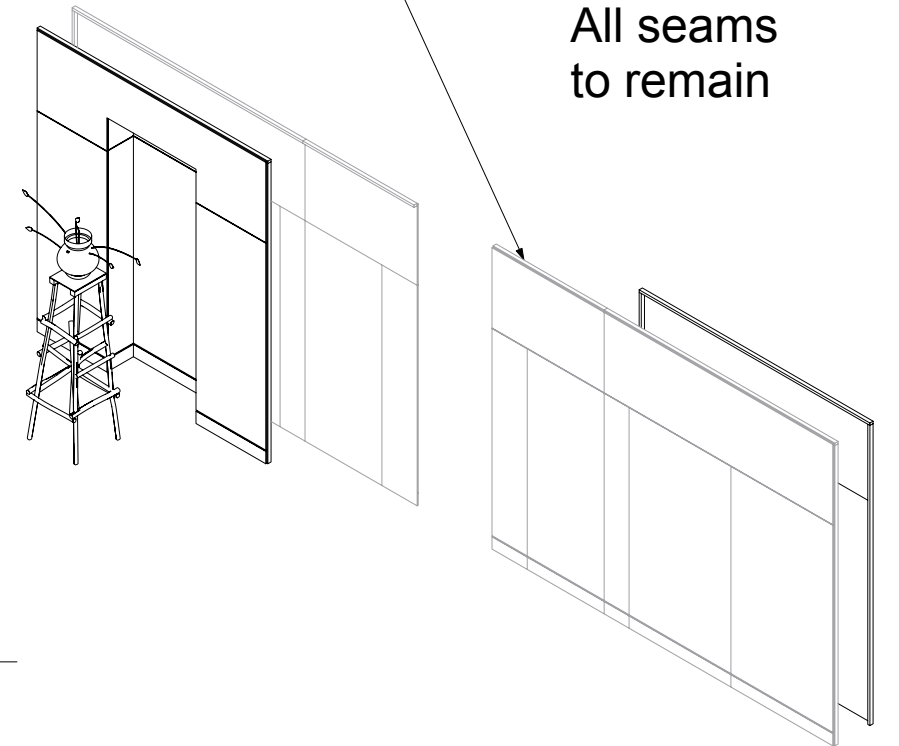


1 front  
Scale: 3/8" = 1'-0"

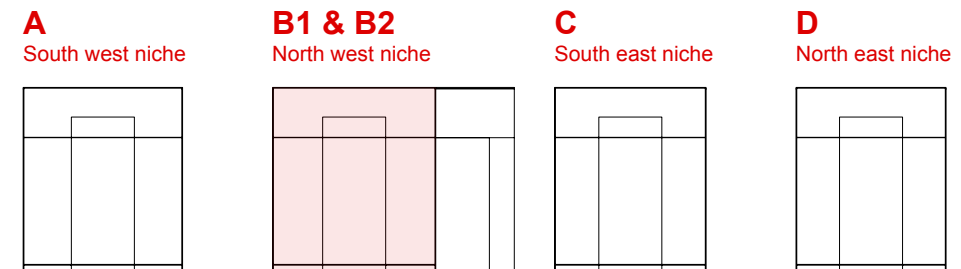


2 side  
Scale: 3/8" = 1'-0"

Double sided  
See back, B2, on following page



3 top/plan  
Scale: 3/8" = 1'-0"



ISSUED/REVISED		
No.	Date	Description
	04-15-14	
	06-02-14	

DRAWING TITLE  
Clemente: Niche walls  
B1 (North west niche)

Scale

Issue Date

File Name

DRAWING No.

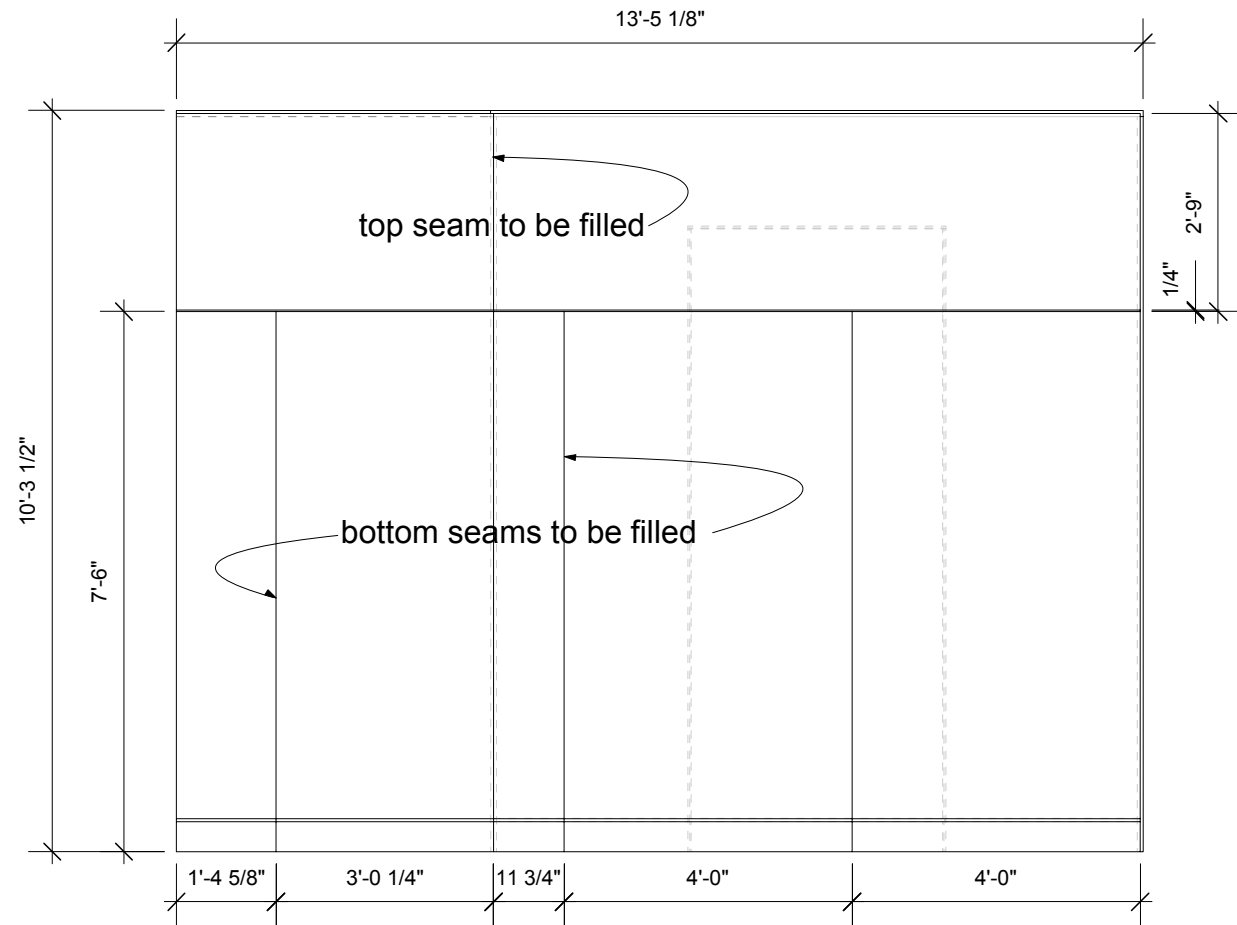
THE RUBIN  
MUSEUM  
OF ART

John Monaco  
212-620-5000 ext. 353

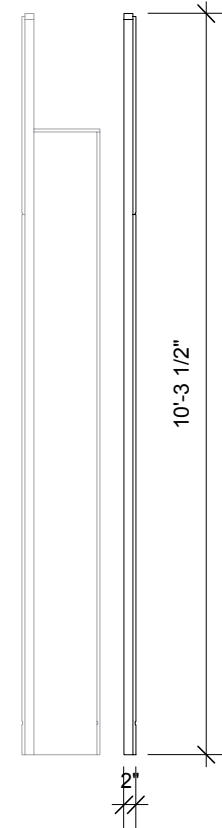
140 West 17th Street  
New York, NY 10011

opening date: 09-05-14

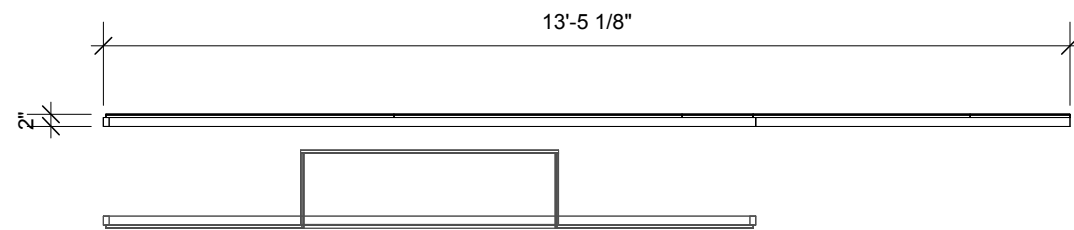
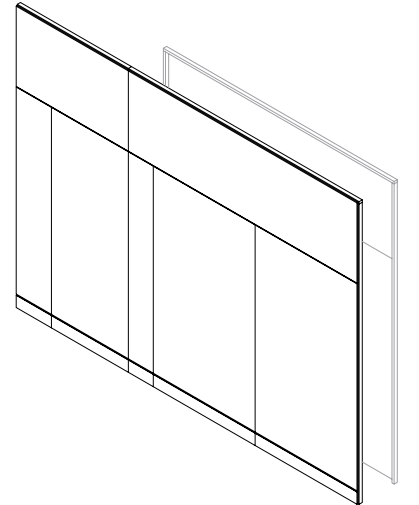
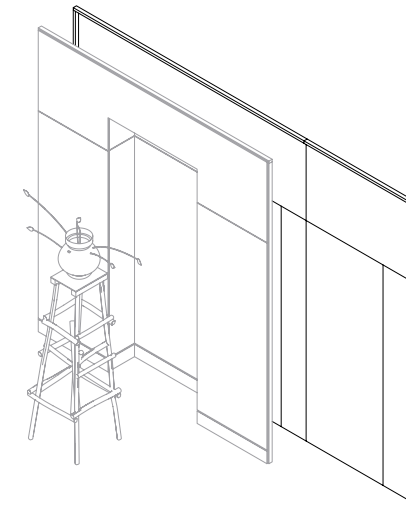
notes:



1 front  
Scale: 3/8" = 1'-0"

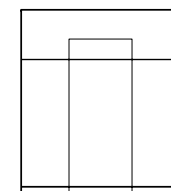


2 side  
Scale: 3/8" = 1'-0"

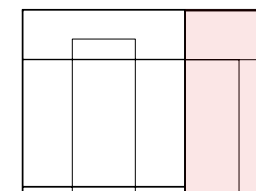


3 top/plan  
Scale: 3/8" = 1'-0"

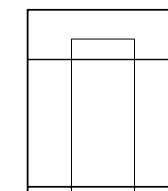
A South west niche



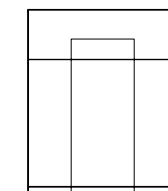
B1 & B2 North west niche



C South east niche



D North east niche



ISSUED/REVISED		
No.	Date	Description
	04-15-14	
	06-02-14	

DRAWING TITLE  
Clemente: Niche walls  
B2 (North west niche)

Scale

Issue Date

File Name

DRAWING  
No.

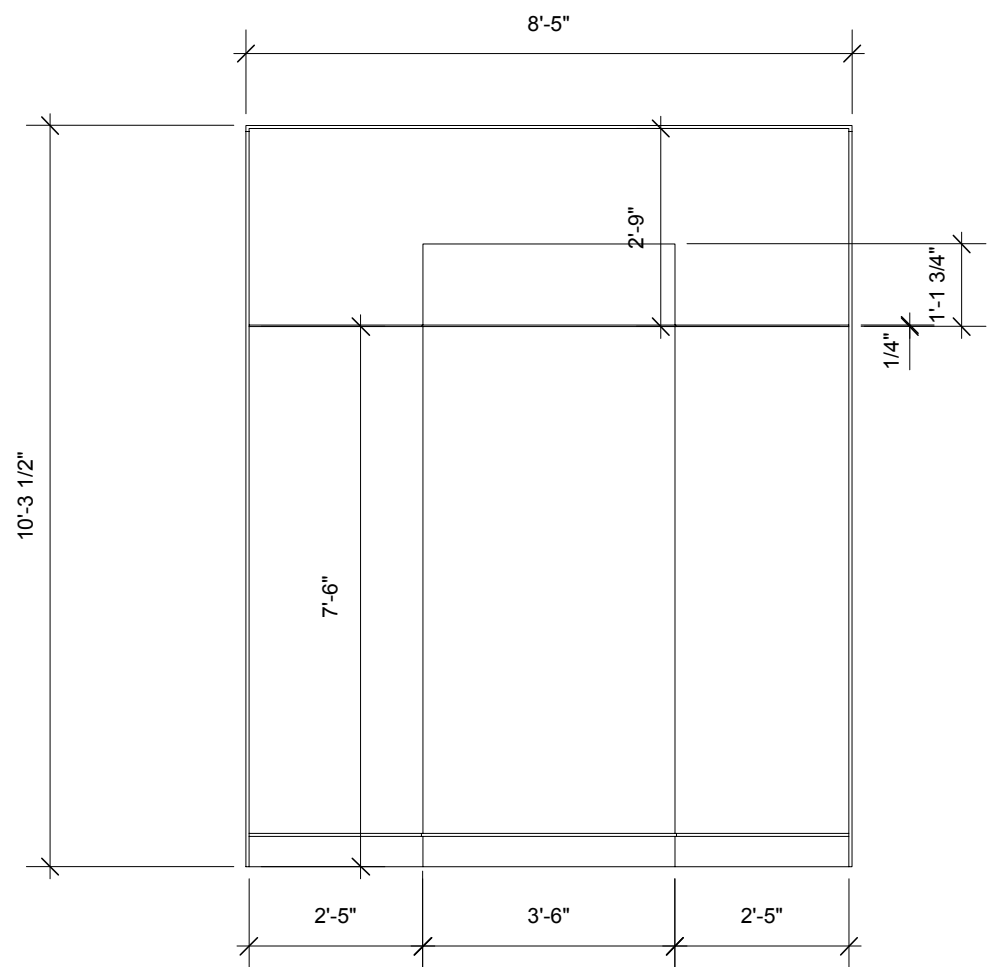
John Monaco  
212-620-5000 ext. 353

140 West 17th Street  
New York, NY 10011

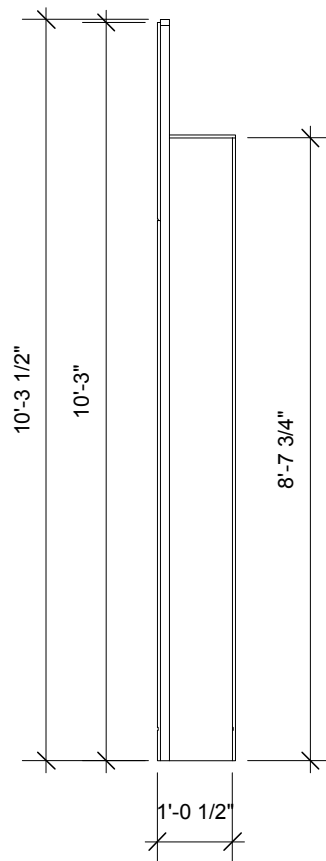
opening date: 09-05-14

notes:

All seams  
to remain

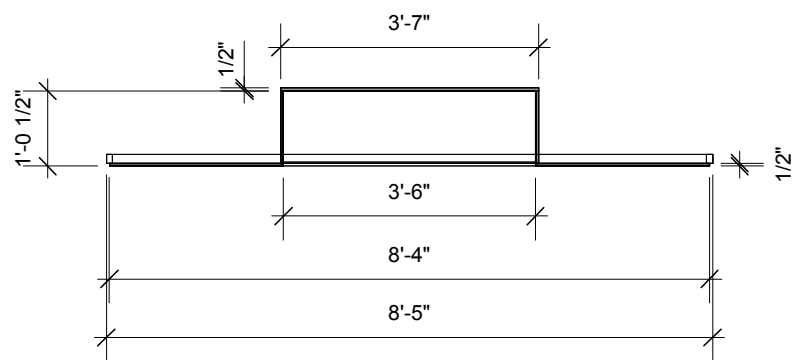
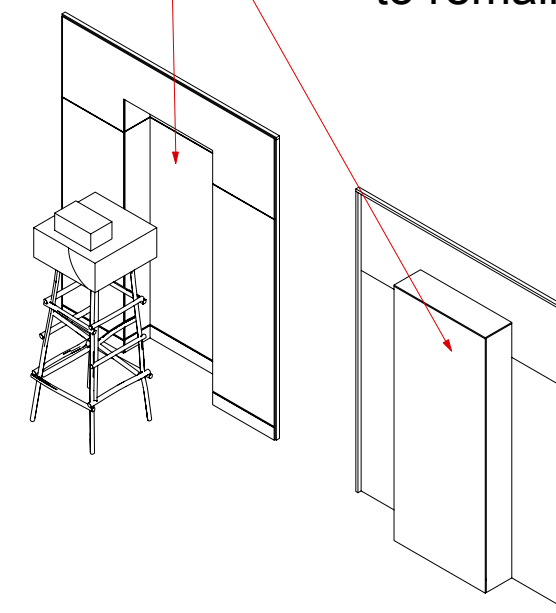


1 front  
Scale: 3/8" = 1'-0"



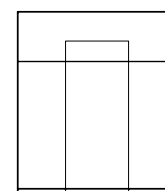
2 side  
Scale: 3/8" = 1'-0"

Center panel to be  
operable to allow for  
access behind niche

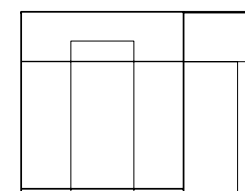


3 top/plan  
Scale: 3/8" = 1'-0"

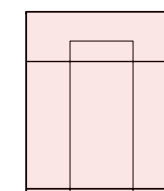
A  
South west niche



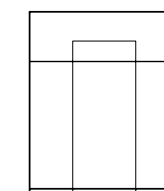
B1 & B2  
North west niche



C  
South east niche



D  
North east niche



ISSUED/REVISED		
No.	Date	Description
	04-15-14	
	06-02-14	

DRAWING TITLE  
Clemente: Niche walls  
C (South east niche)

Scale  
Issue Date  
File Name  
DRAWING No.

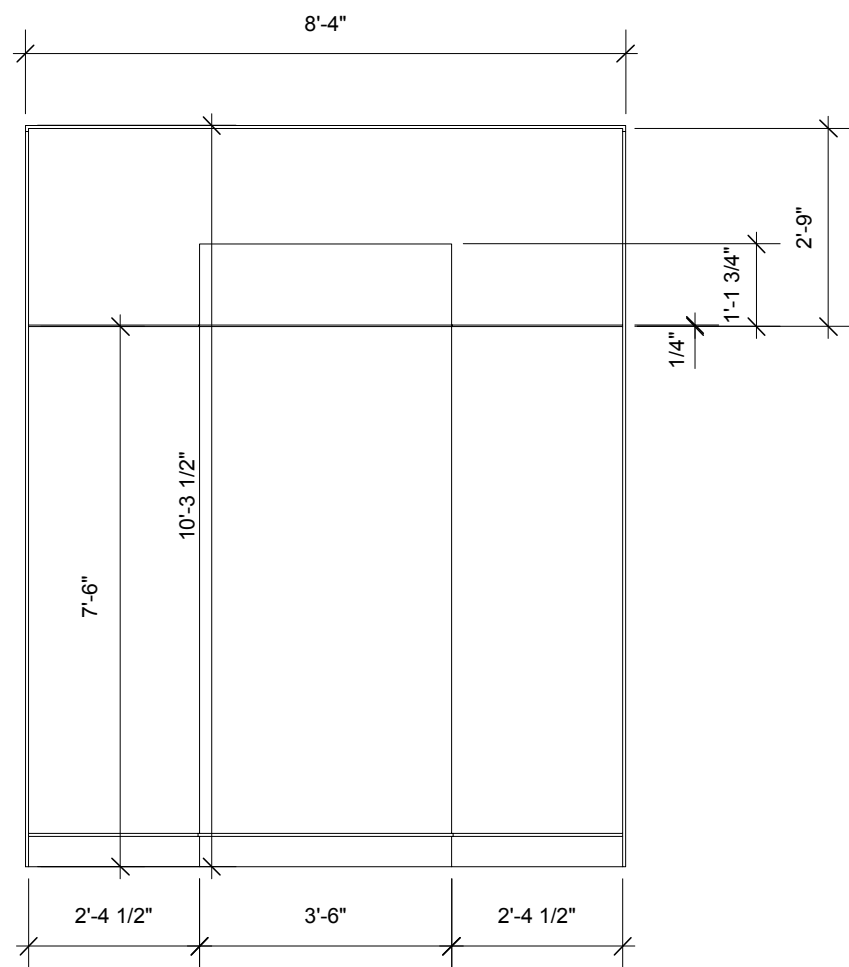
John Monaco  
212-620-5000 ext. 353

140 West 17th Street  
New York, NY 10011

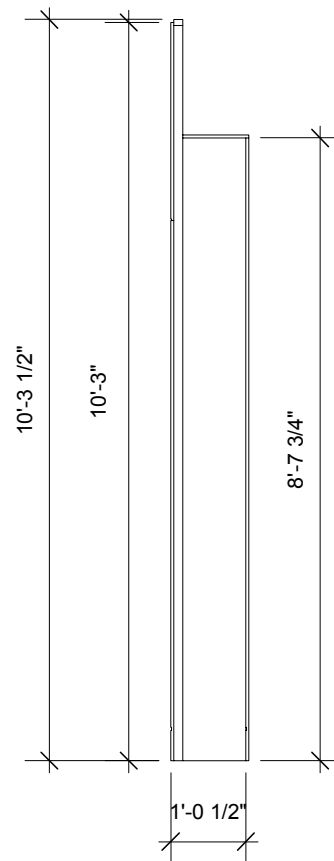
opening date: 09-05-14

notes:

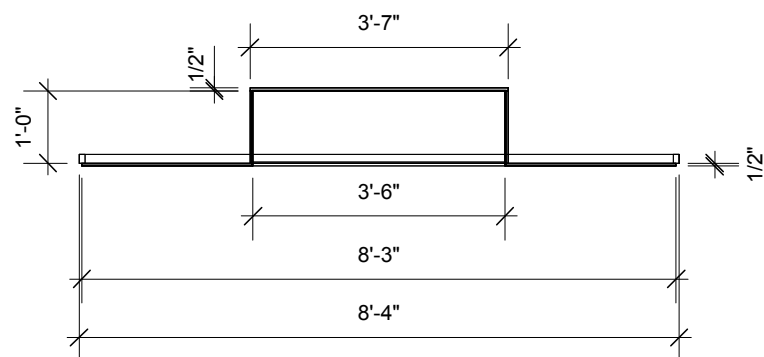
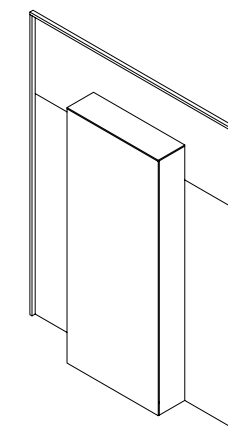
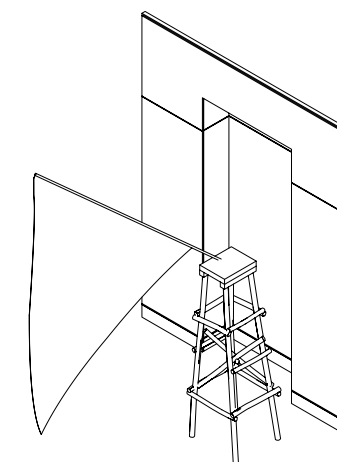
All seams  
to remain



1 front  
Scale: 3/8" = 1'-0"

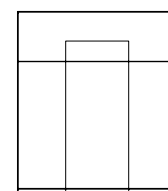


2 side  
Scale: 3/8" = 1'-0"

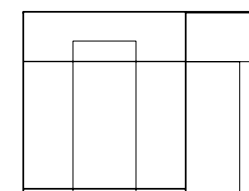


3 top/plan  
Scale: 3/8" = 1'-0"

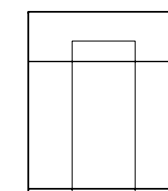
A South west niche



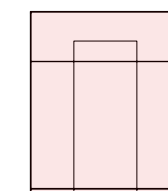
B1 & B2 North west niche



C South east niche



D North east niche



ISSUED/REVISED		Description
No.	Date	
	04-15-14	
	06-02-14	

DRAWING TITLE  
Clemente: Niche walls  
D (North east niche)

Scale  
Issue Date  
File Name

DRAWING  
No.

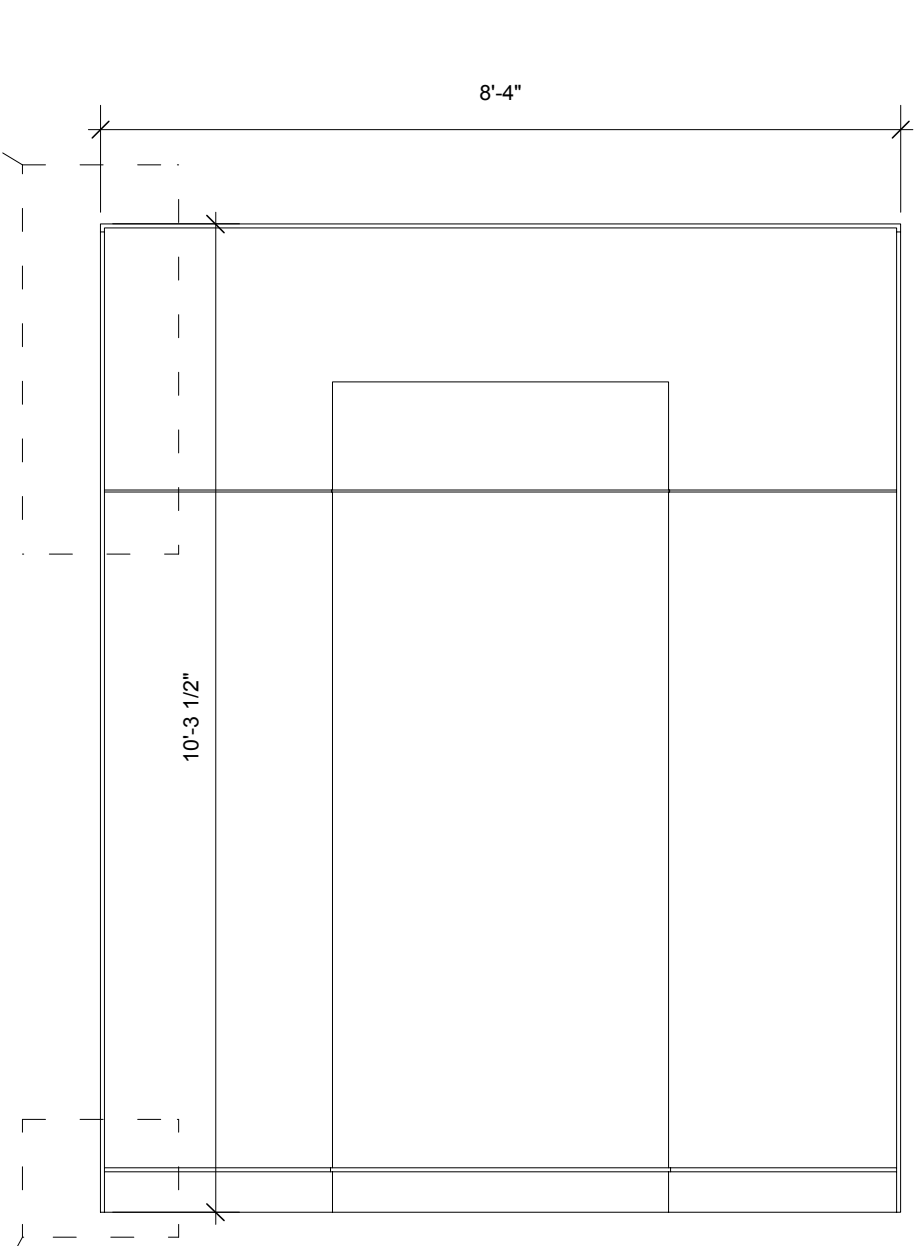
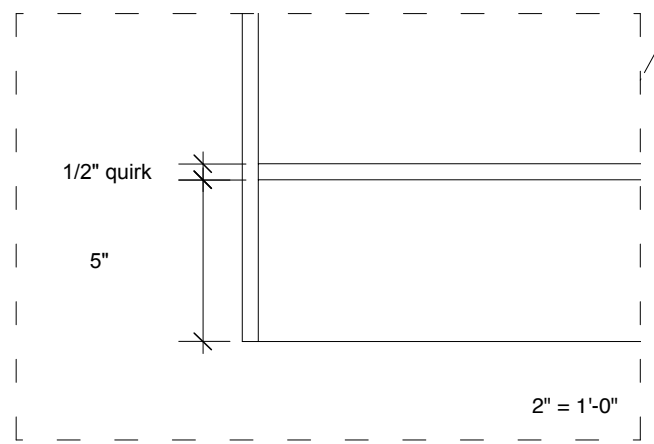
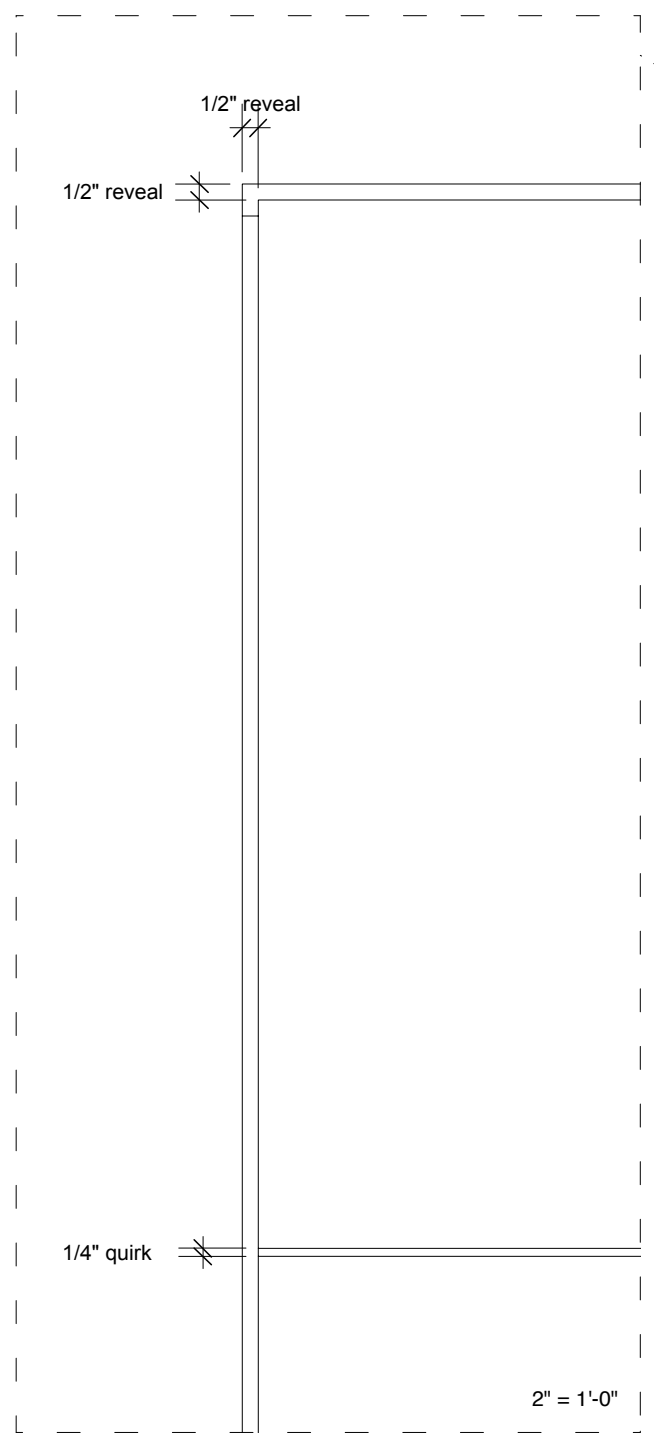
**THE  
RUBIN  
MUSEUM  
OF  
ART**

**John Monaco**  
212-620-5000 ext. 353

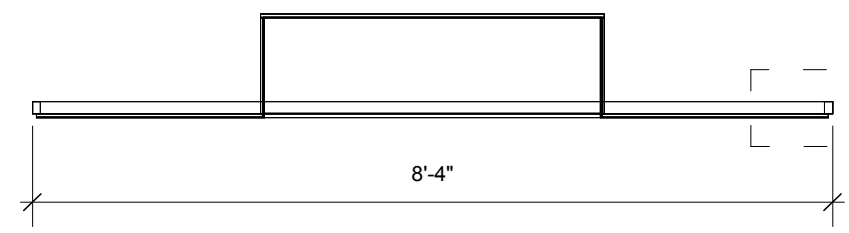
140 West 17th Street  
New York, NY 10011

opening date: 09-05-14

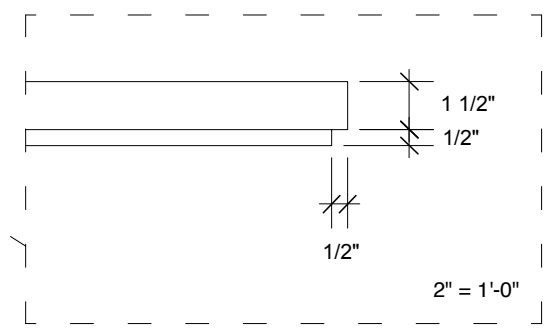
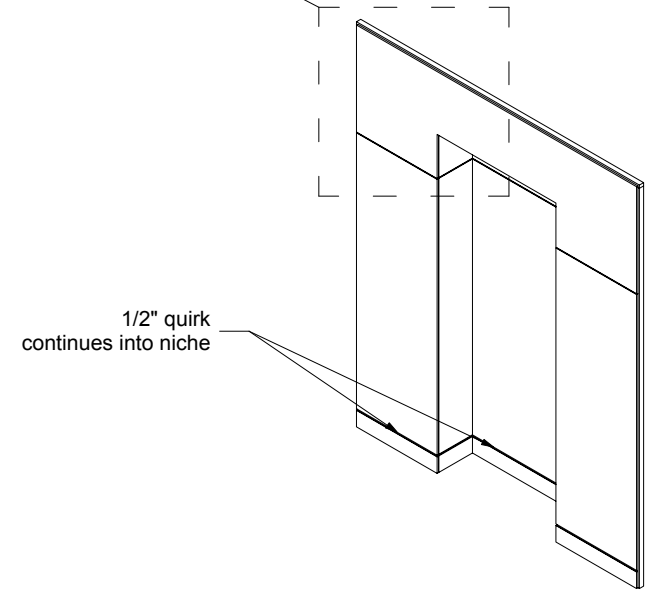
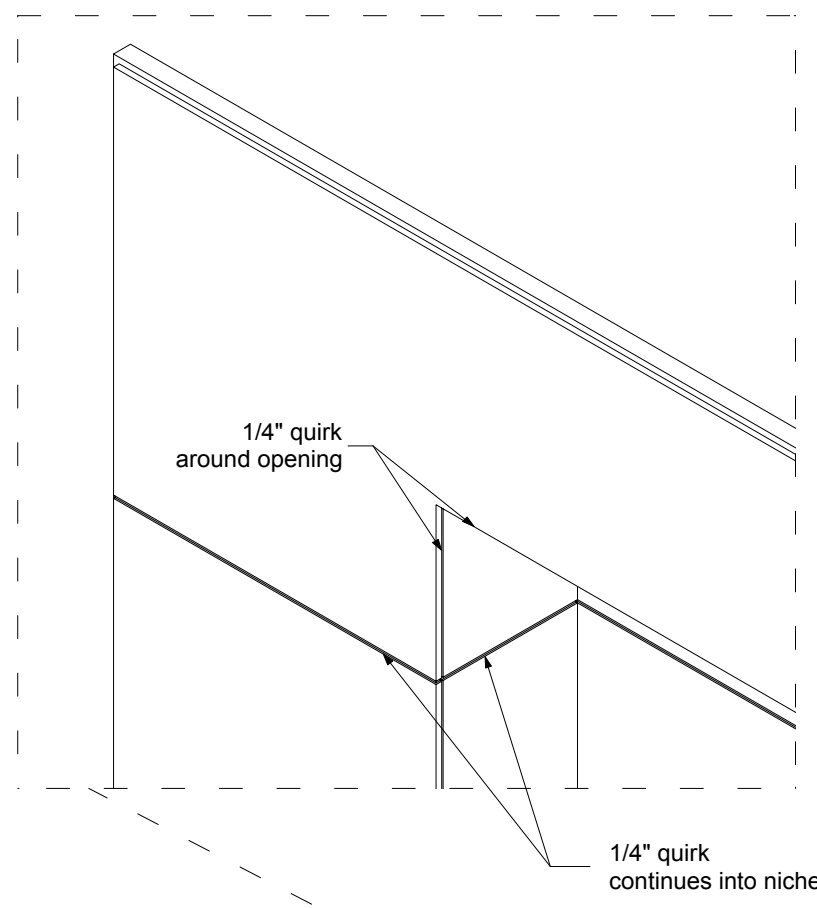
notes:



1 front  
Scale: 1/2" = 1'-0"



2 top/plan  
Scale: 1/2" = 1'-0"



ISSUED/REVISED		
No.	Date	Description
04-15-14		
06-02-14		

DRAWING TITLE  
**Clemente: Niche walls**  
**Details**

Scale

Issue Date

File Name

DRAWING No.