

John Monaco
212-620-5000 ext. 353

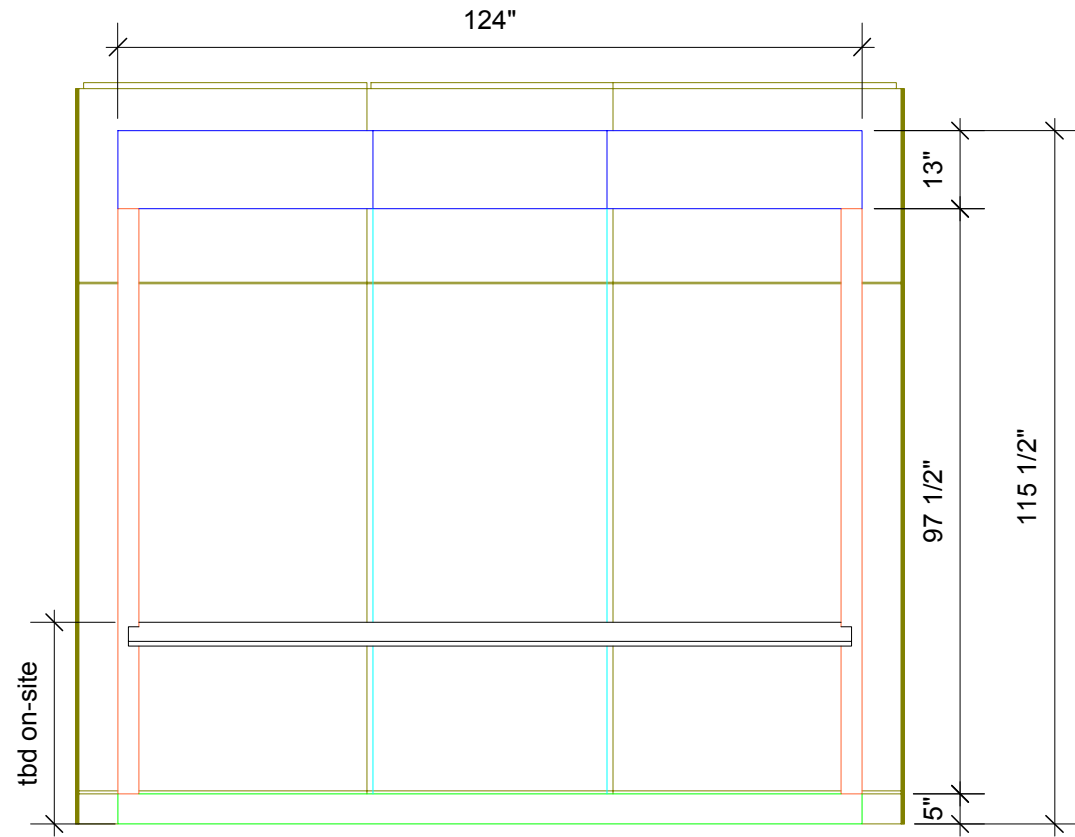
140 West 17th Street
New York, NY 10011

opening date: 03-13-15

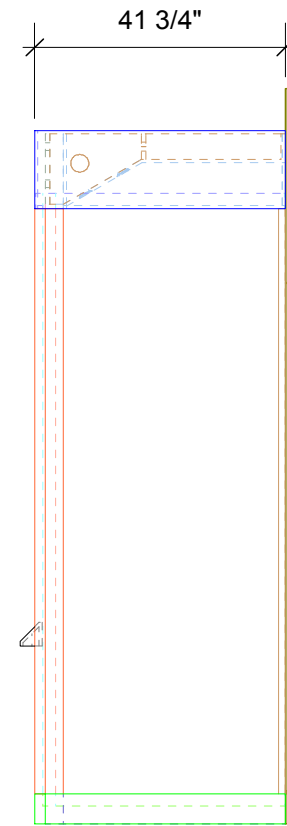
notes:

East/West
Costume Case
Overall

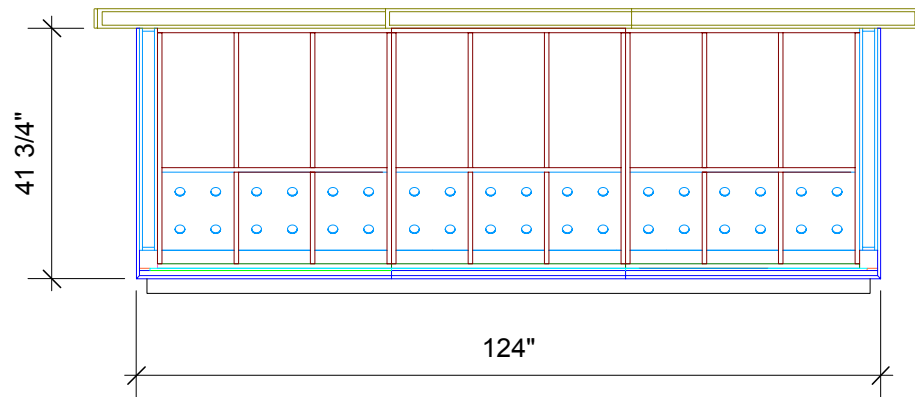
2 units required



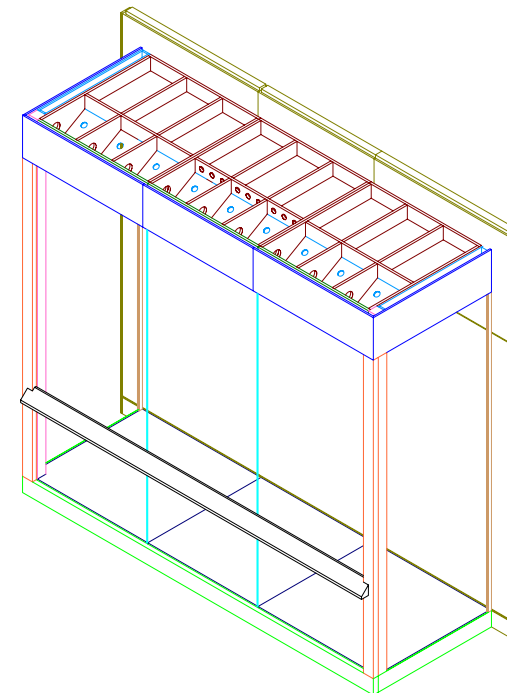
1 front
Scale: 3/8" = 1'-0"



2 side
Scale: 3/8" = 1'-0"



3 top/plan
Scale: 3/8" = 1'-0"



| ISSUED/REVISED | | |
|----------------|----------|-------------|
| No. | Date | Description |
| | 11-21-14 | |
| | 12-11-14 | |
| | 12-15-14 | |
| | 02-09-15 | |

DRAWING TITLE
Becoming Another:
The Power of Masks
E/W Costume Case

Scale

Issue Date

File Name

DRAWING
No.

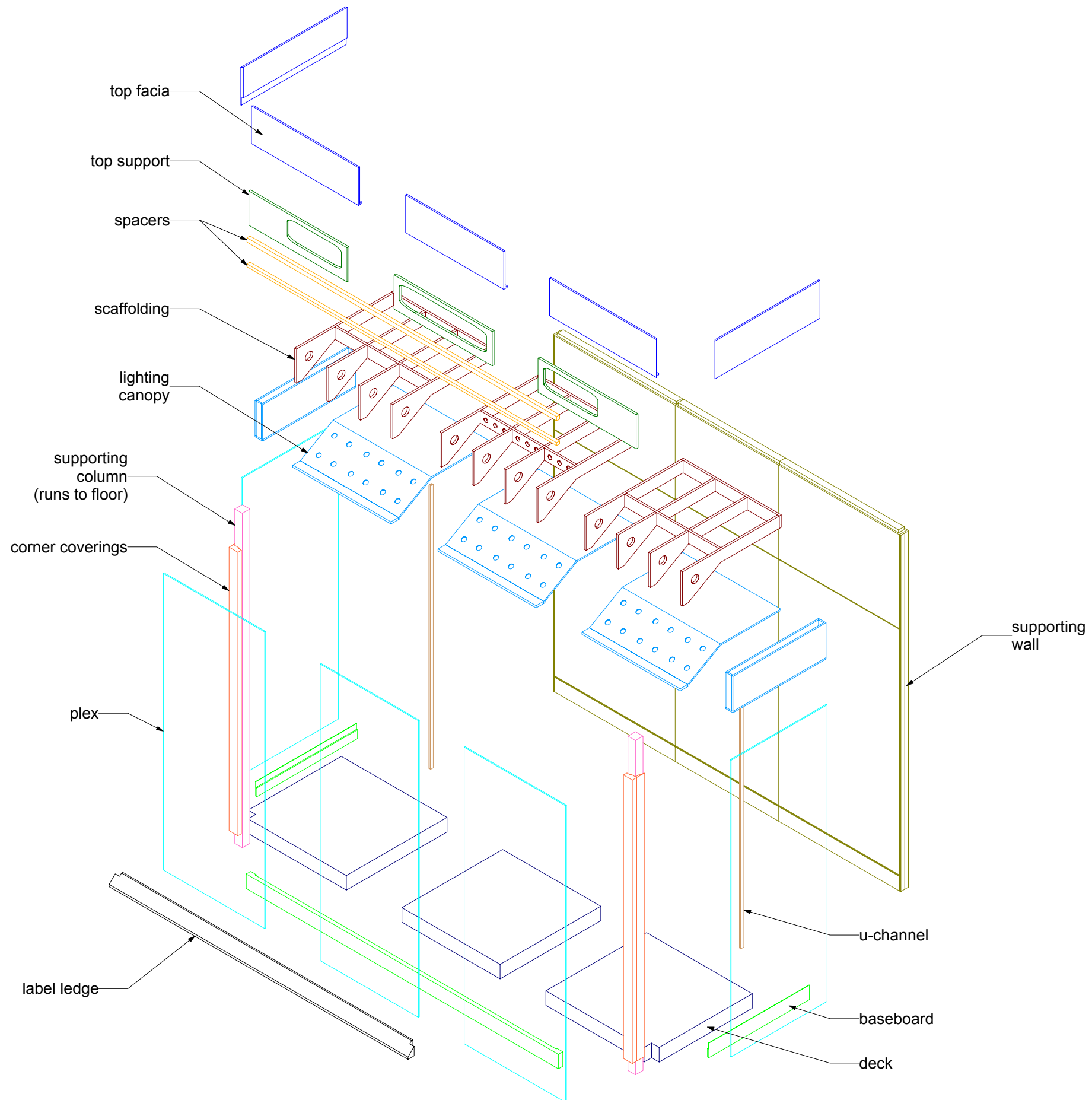
John Monaco
212-620-5000 ext. 353

140 West 17th Street
New York, NY 10011

opening date: 03-13-15

notes:

East/West
Costume Case
Exploded view



| ISSUED/REVISED | | |
|----------------|------|-------------|
| No. | Date | Description |
| 11-21-14 | | |
| 12-11-14 | | |
| 12-15-14 | | |
| 02-09-15 | | |

DRAWING TITLE
Becoming Another:
The Power of Masks
E/W Costume Case

Scale

Issue Date

File Name

DRAWING
No.

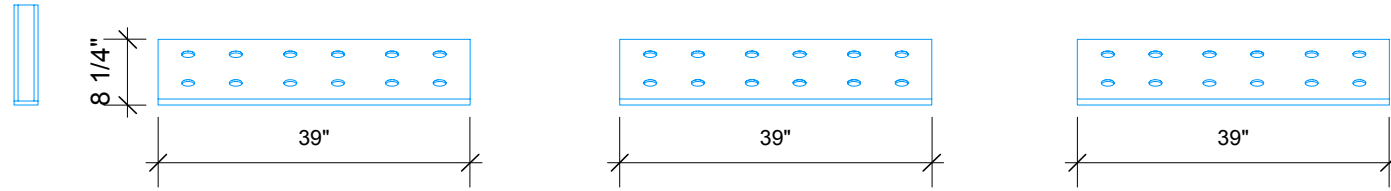
John Monaco
212-620-5000 ext. 353

140 West 17th Street
New York, NY 10011

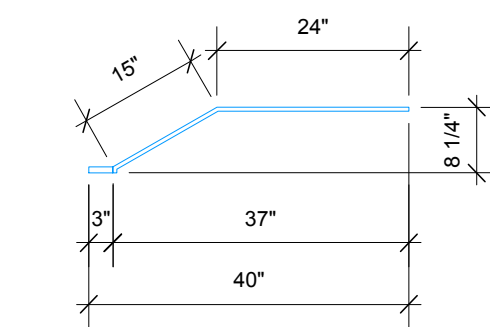
opening date: 03-13-15

notes:

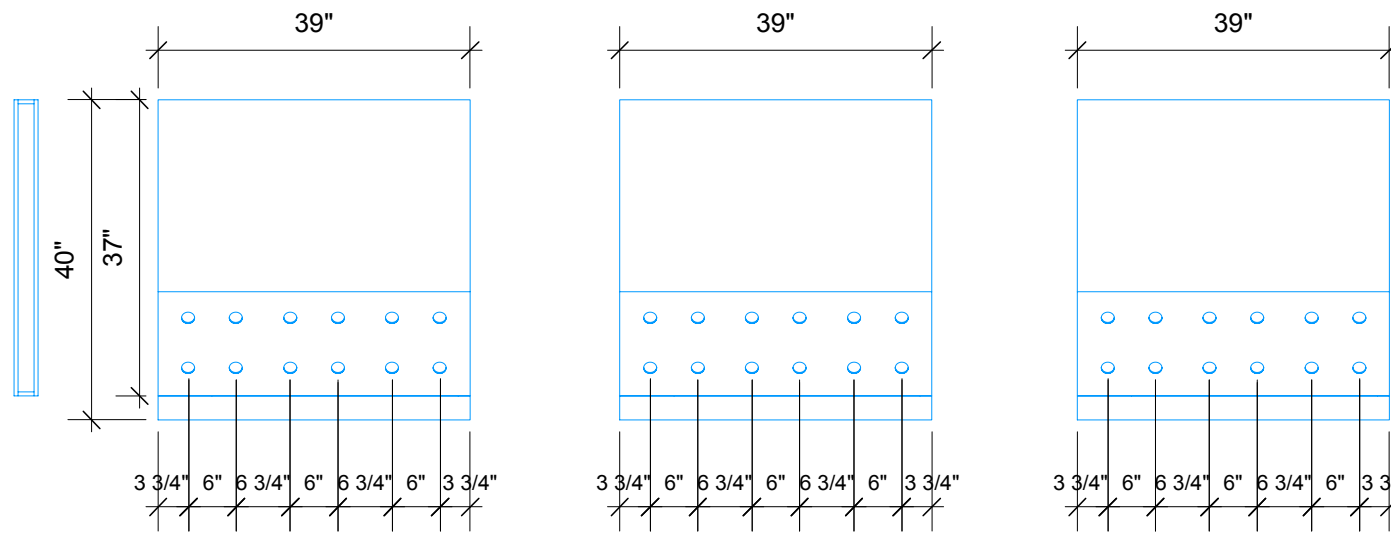
East/West
Costume Case
Canopy/lighting



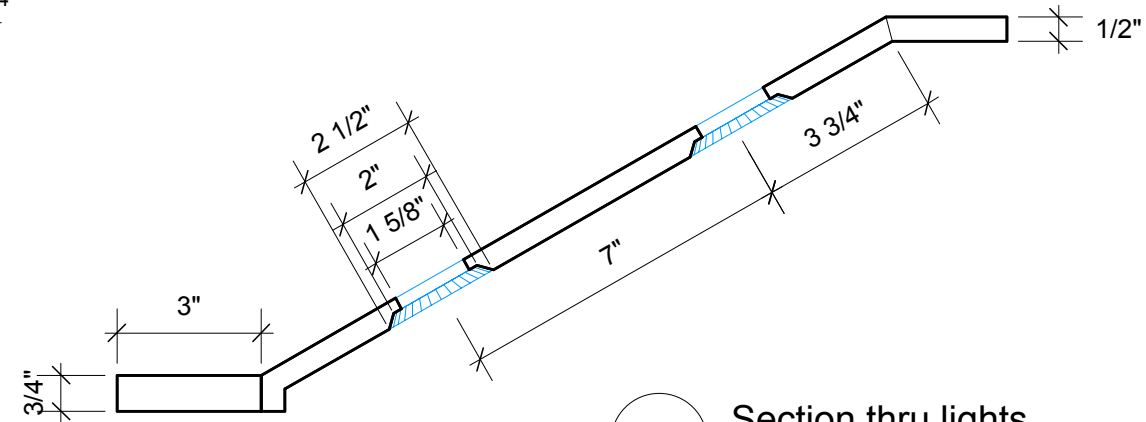
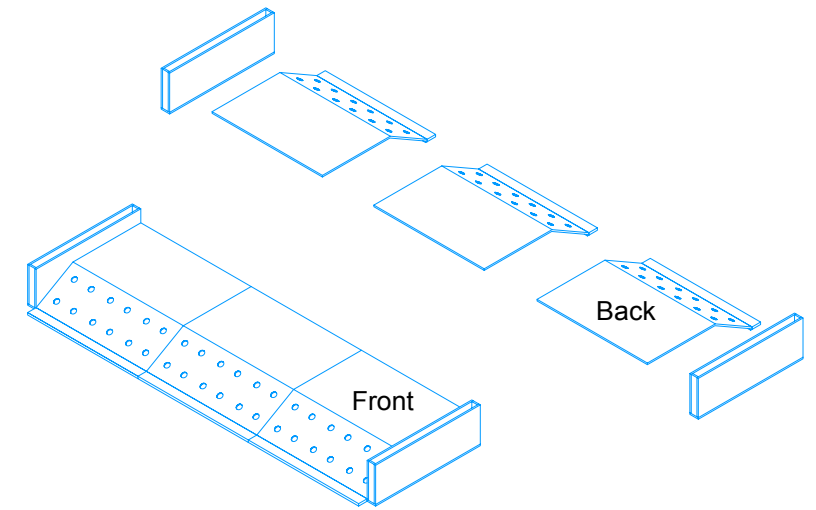
1 front
Scale: 1/2" = 1'-0"



2 side
Scale: 1/2" = 1'-0"



3 top/plan
Scale: 1/2" = 1'-0"



4 Section thru lights
Scale: 3" = 1'-0"

| ISSUED/REVISED No. | Date | Description |
|--------------------|------|-------------|
| 11-21-14 | | |
| 12-11-14 | | |
| 12-15-14 | | |
| 02-09-15 | | |

DRAWING TITLE
Becoming Another:
The Power of Masks
E/W Costume Case

Scale

Issue Date

File Name

DRAWING No.

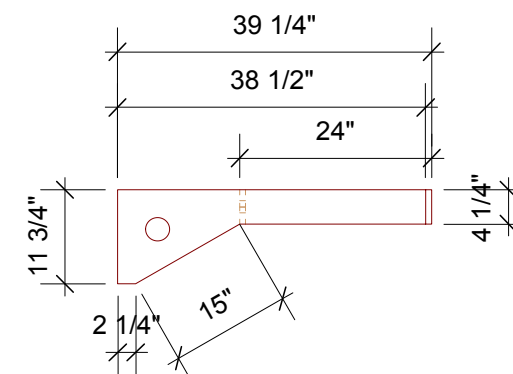
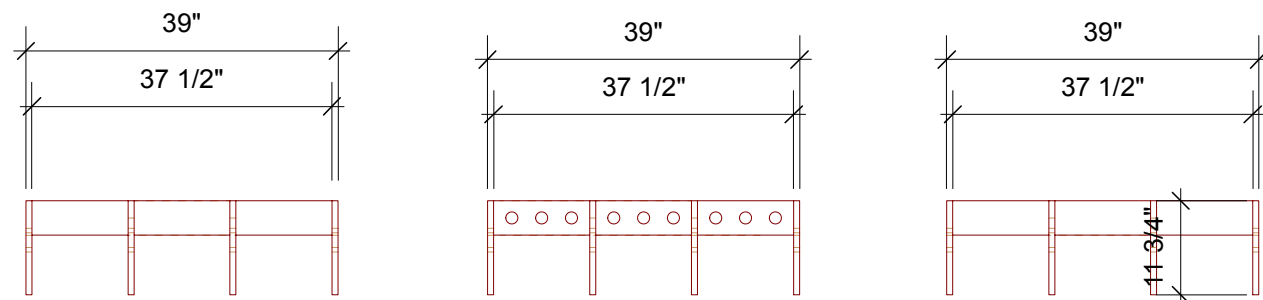
John Monaco
212-620-5000 ext. 353

140 West 17th Street
New York, NY 10011

opening date: 03-13-15

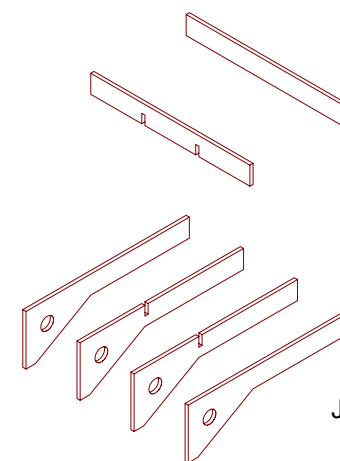
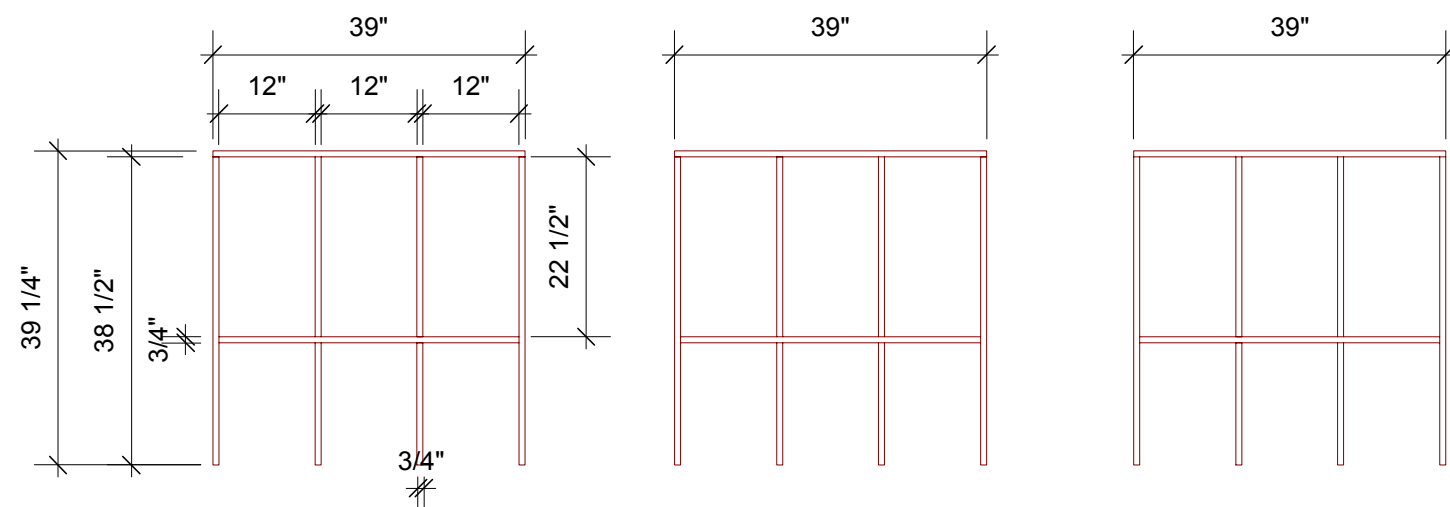
notes:

East/West
Costume Case
Scaffolding

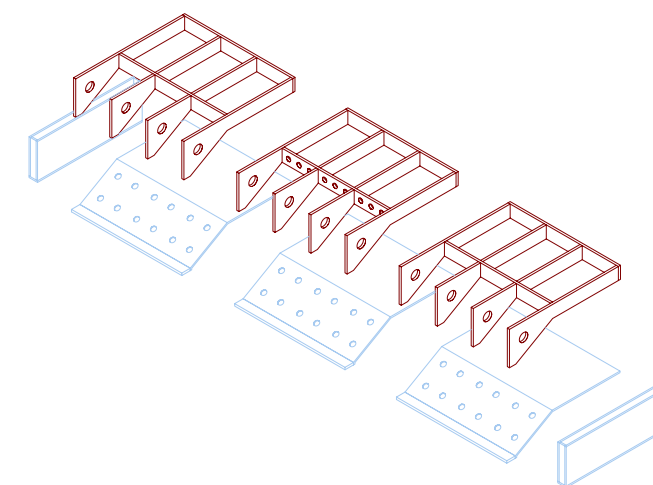


1 front
Scale: 1/2" = 1'-0"

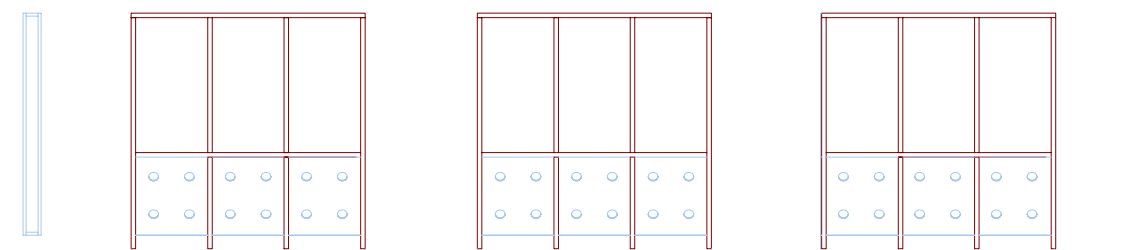
2 side
Scale: 1/2" = 1'-0"



Joinery detail



3 top/plan
Scale: 1/2" = 1'-0"



Scaffolding layout
with canopy

| ISSUED/REVISED | | |
|----------------|------|-------------|
| No. | Date | Description |
| 11-21-14 | | |
| 12-11-14 | | |
| 12-15-14 | | |
| 02-09-15 | | |

DRAWING TITLE
Becoming Another:
The Power of Masks
E/W Costume Case

Scale

Issue Date

File Name

DRAWING
No.

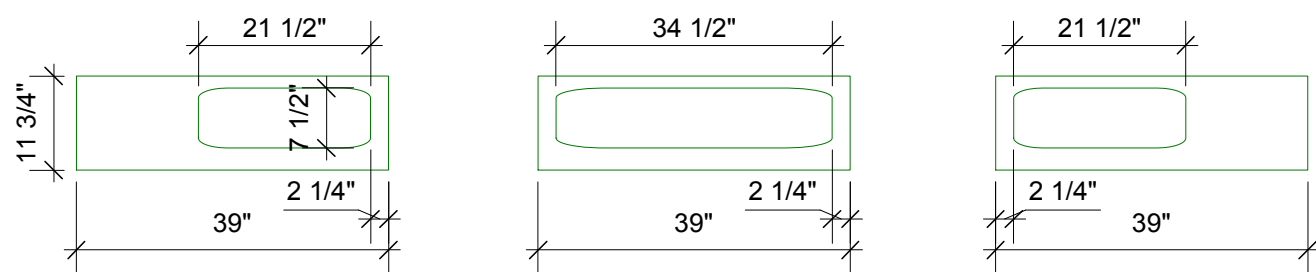
John Monaco
212-620-5000 ext. 353

140 West 17th Street
New York, NY 10011

opening date: 03-13-15

notes:

East/West
Costume Case
Support structure

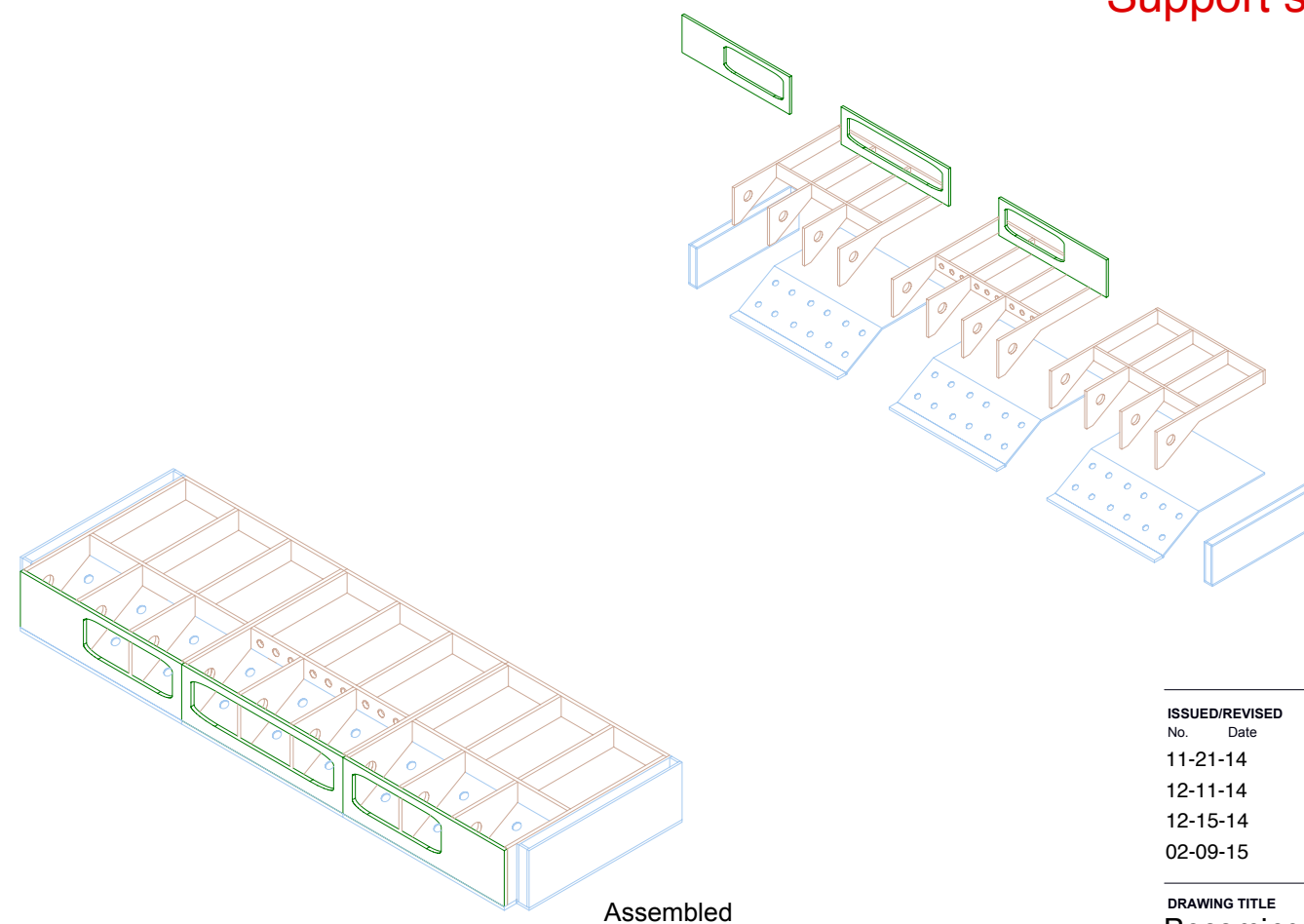


1 front
Scale: 1/2" = 1'-0"

2 side
Scale: 1/2" = 1'-0"



3 top/plan
Scale: 1/2" = 1'-0"



| ISSUED/REVISED | | |
|----------------|------|-------------|
| No. | Date | Description |
| 11-21-14 | | |
| 12-11-14 | | |
| 12-15-14 | | |
| 02-09-15 | | |

DRAWING TITLE
Becoming Another:
The Power of Masks
E/W Costume Case

Scale

Issue Date

File Name

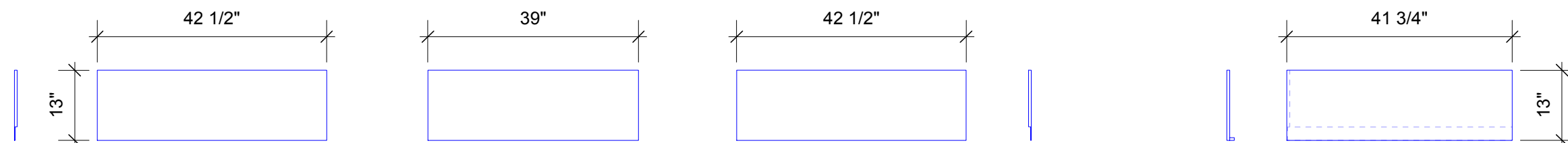
DRAWING
No.

John Monaco
212-620-5000 ext. 353

140 West 17th Street
New York, NY 10011

opening date: 03-13-15

notes:

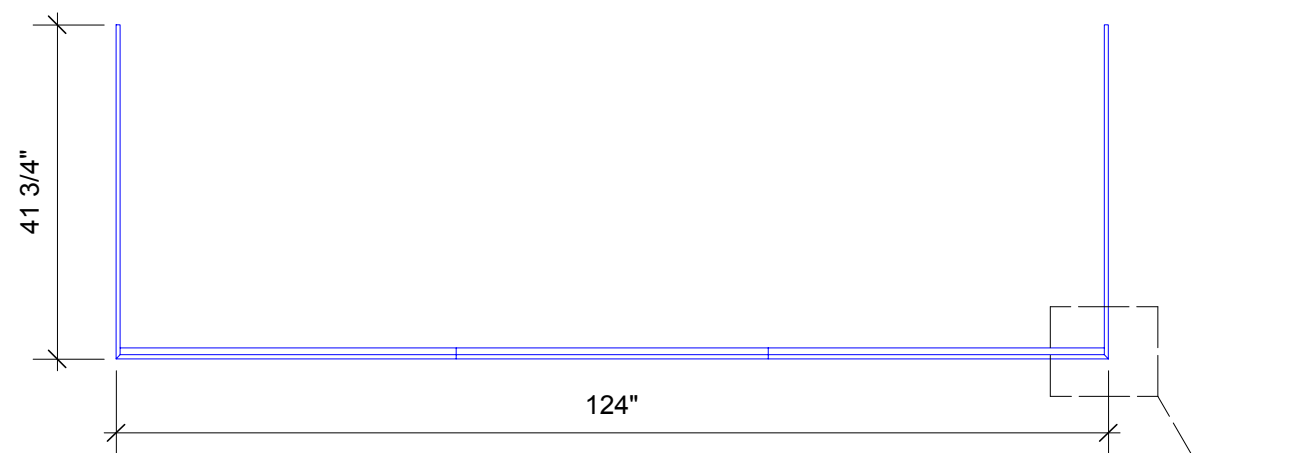


1 front
Scale: 1/2" = 1'-0"

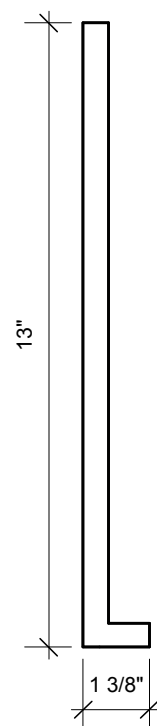
2 side
Scale: 1/2" = 1'-0"

All facia is removable

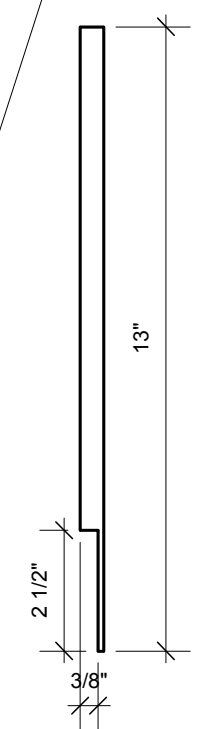
East/West
Costume Case
Top facia



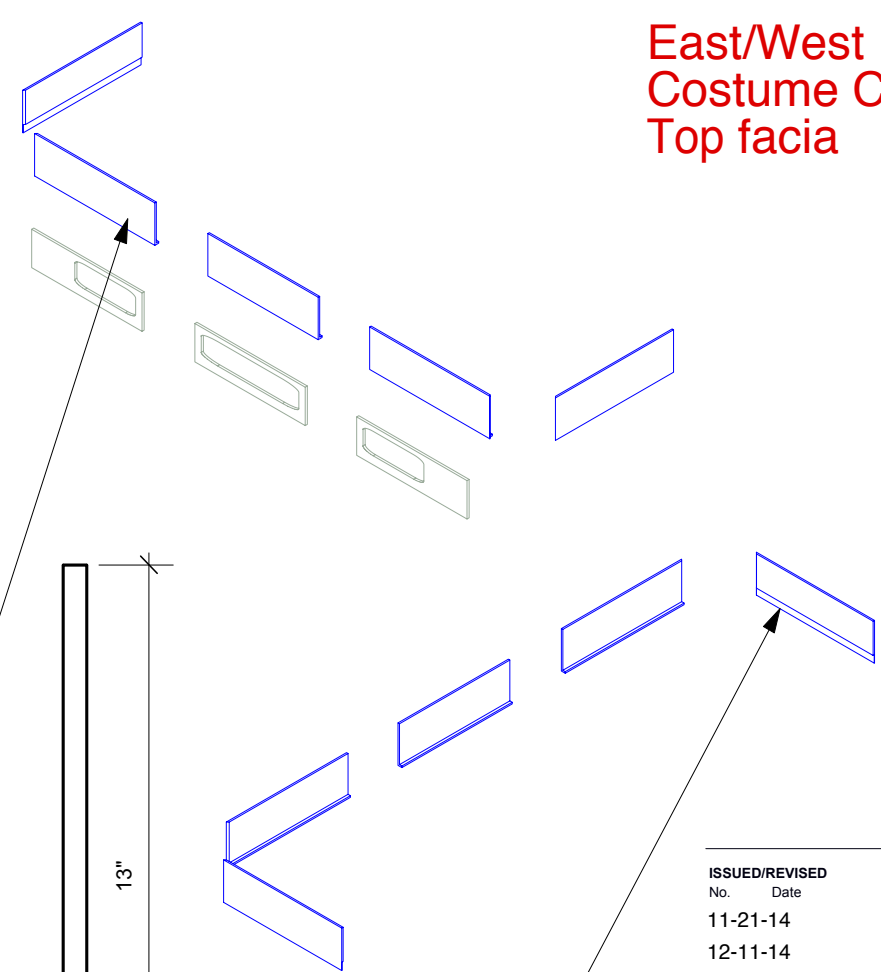
3 top/plan
Scale: 1/2" = 1'-0"



4 Section thru front panel
Scale: 3" = 1'-0"



3 Section thru side panel
Scale: 3" = 1'-0"



| ISSUED/REVISED | | |
|----------------|------|-------------|
| No. | Date | Description |
| 11-21-14 | | |
| 12-11-14 | | |
| 12-15-14 | | |
| 02-09-15 | | |

DRAWING TITLE
Becoming Another:
The Power of Masks
E/W Costume Case

Scale

Issue Date

File Name

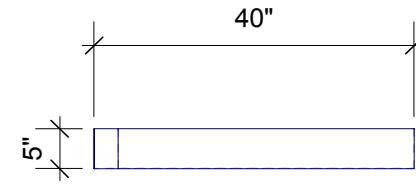
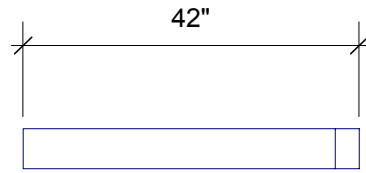
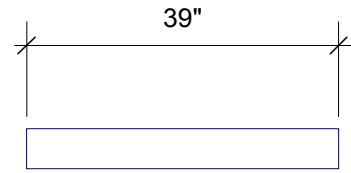
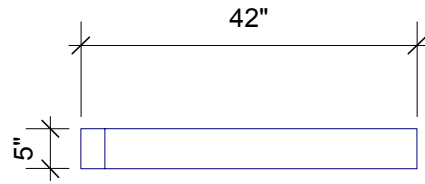
DRAWING No.

John Monaco
212-620-5000 ext. 353

140 West 17th Street
New York, NY 10011

opening date: 03-13-15

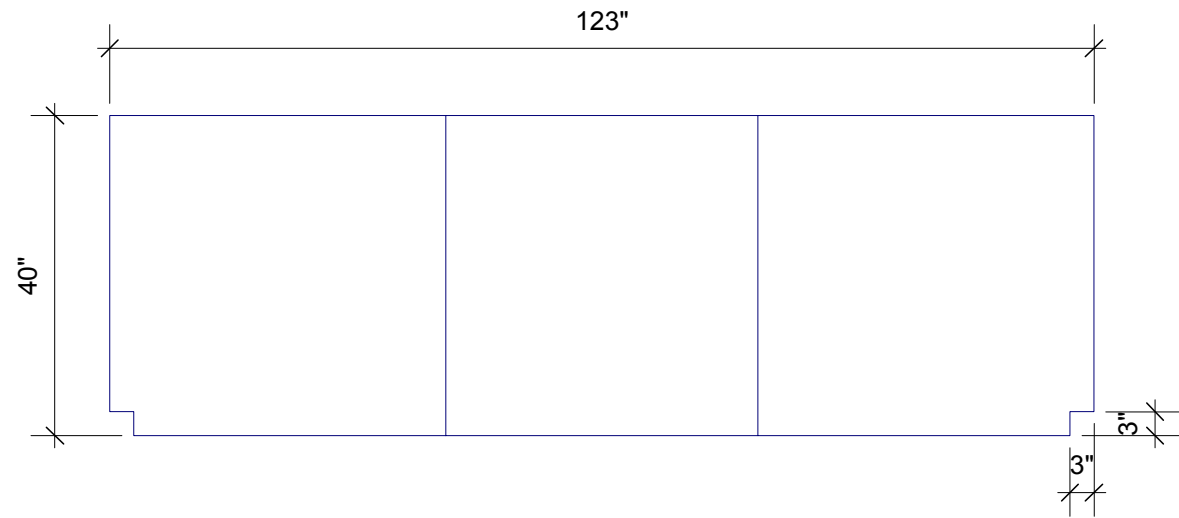
notes:



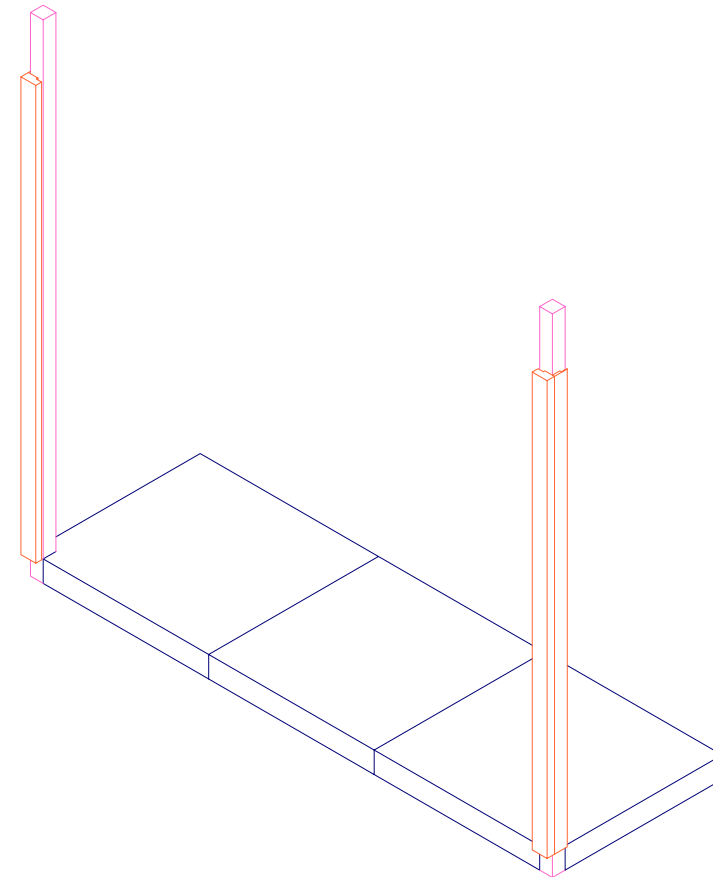
1 front
Scale: 1/2" = 1'-0"

2 side
Scale: 1/2" = 1'-0"

East/West
Costume Case
Deck



3 top/plan
Scale: 1/2" = 1'-0"



| ISSUED/REVISED | | |
|----------------|------|-------------|
| No. | Date | Description |
| 11-21-14 | | |
| 12-11-14 | | |
| 12-15-14 | | |
| 02-09-15 | | |

DRAWING TITLE
Becoming Another:
The Power of Masks
E/W Costume Case

Scale

Issue Date

File Name

DRAWING
No.

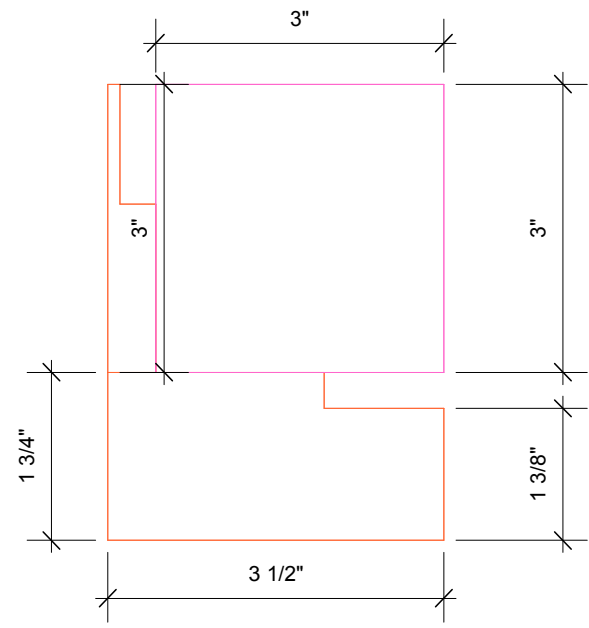
John Monaco
212-620-5000 ext. 353

140 West 17th Street
New York, NY 10011

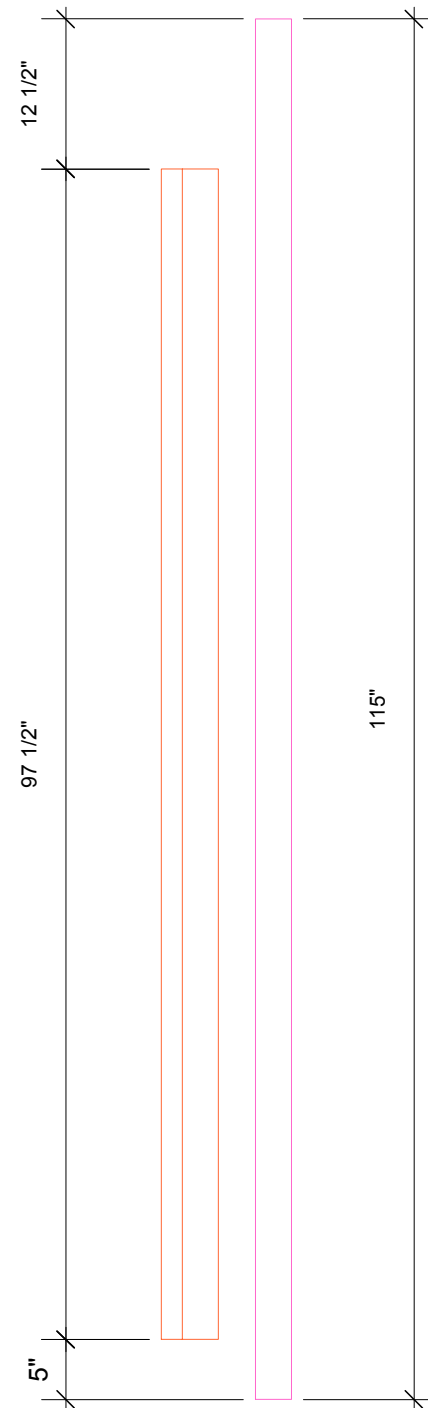
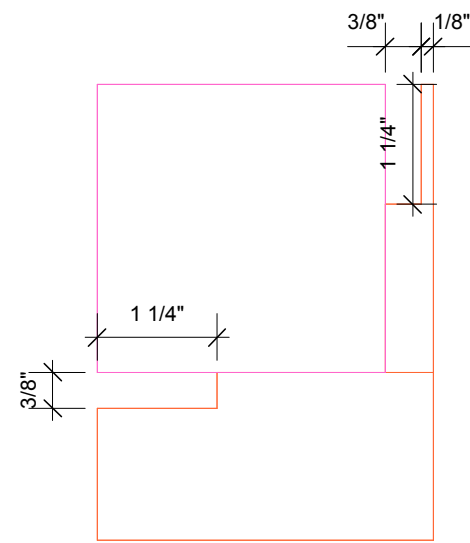
opening date: 03-13-15

notes:

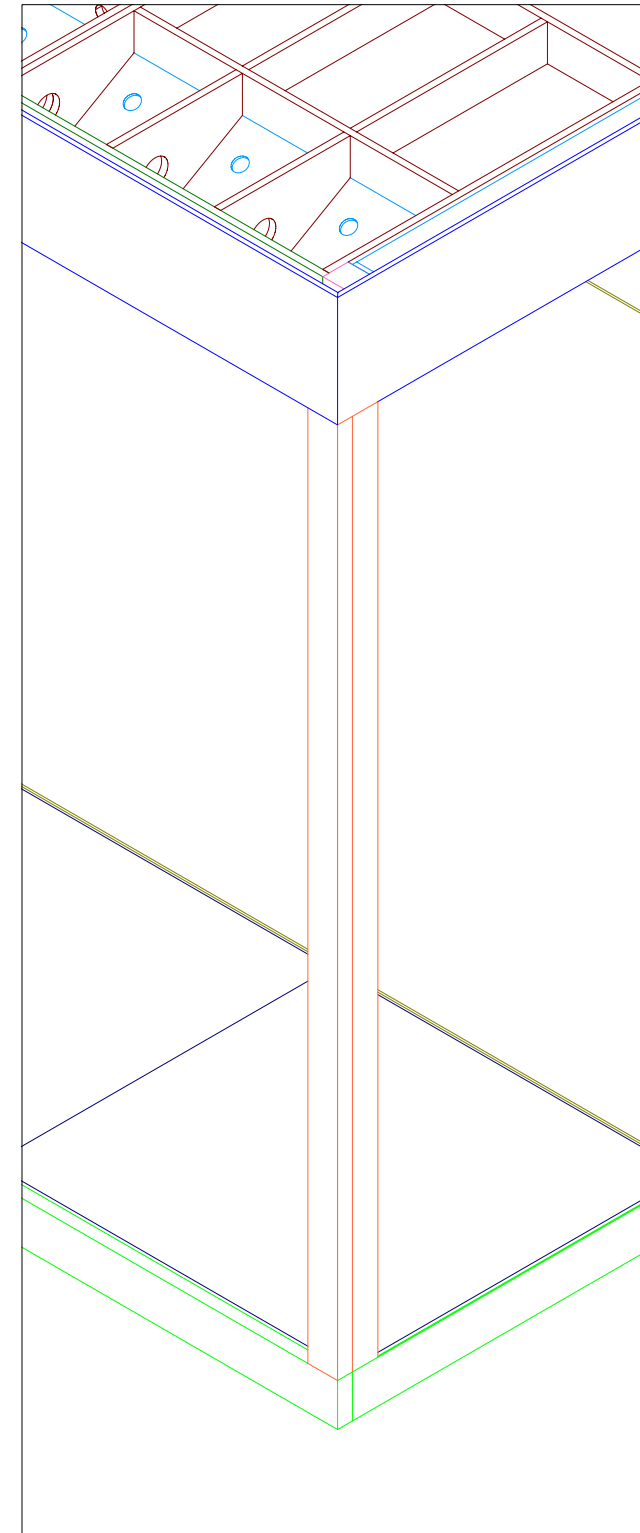
East/West
Costume Case
Column



1 plan
Scale: Half Actual Size



2 side
Scale: 3/4" = 1'-0"



| ISSUED/REVISED | | |
|----------------|------|-------------|
| No. | Date | Description |
| 11-21-14 | | |
| 12-11-14 | | |
| 12-15-14 | | |
| 02-09-15 | | |

DRAWING TITLE
Becoming Another:
The Power of Masks
E/W Costume Case

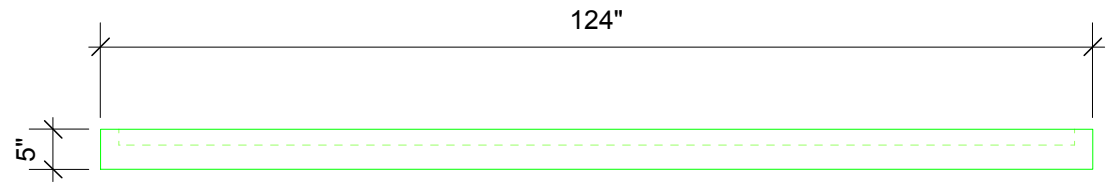
Scale

Issue Date

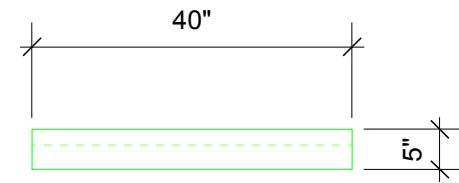
File Name

DRAWING
No.

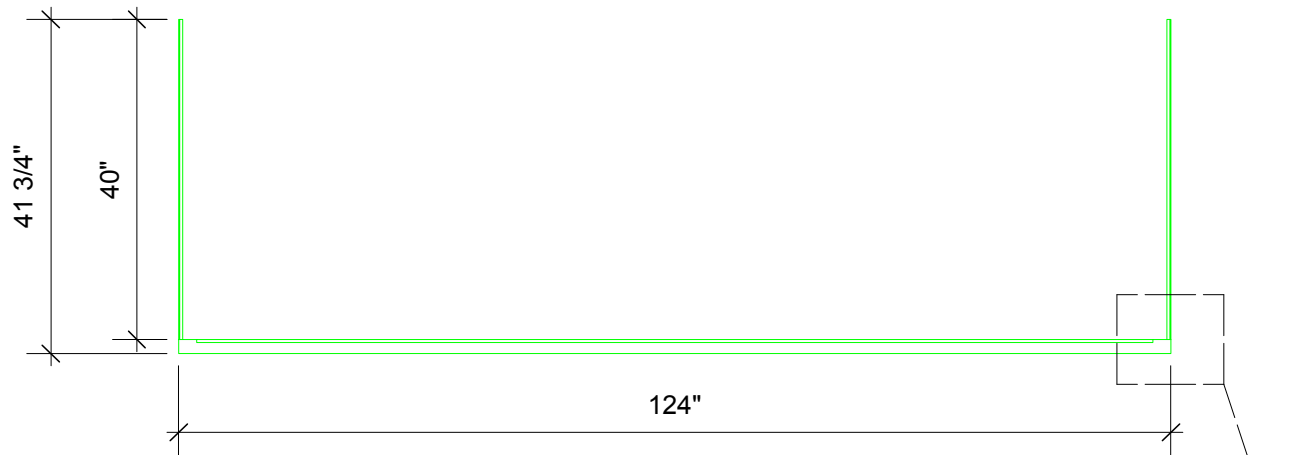
East/West
Costume Case
Baseboard



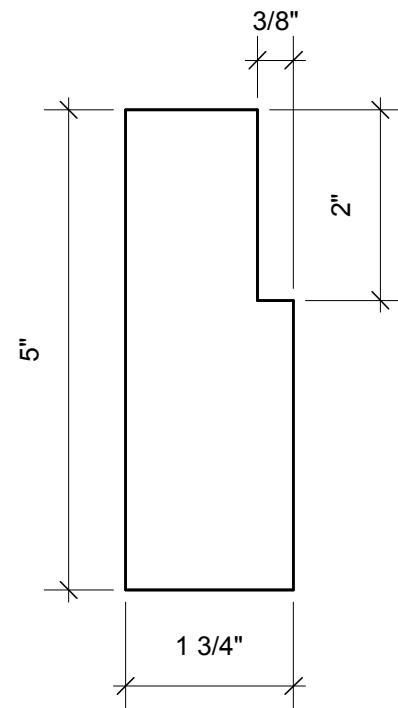
1 front
Scale: 1/2" = 1'-0"



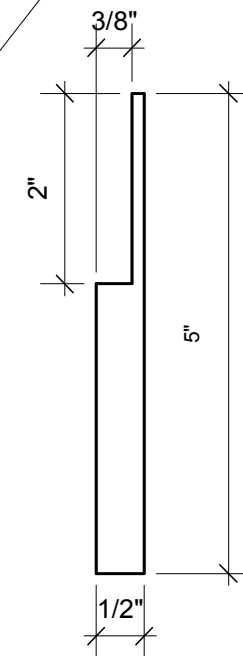
2 side
Scale: 1/2" = 1'-0"



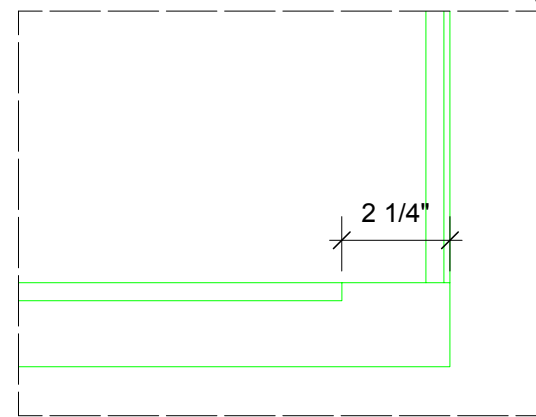
3 top/plan
Scale: 1/2" = 1'-0"



4 Section thru front panel
Scale: Half Actual Size



3 Section thru side panel
Scale: Half Actual Size



| ISSUED/REVISED | | |
|----------------|------|-------------|
| No. | Date | Description |
| 11-21-14 | | |
| 12-11-14 | | |
| 12-15-14 | | |
| 02-09-15 | | |

DRAWING TITLE
Becoming Another:
The Power of Masks
E/W Costume Case

Scale

Issue Date

File Name

DRAWING
No.

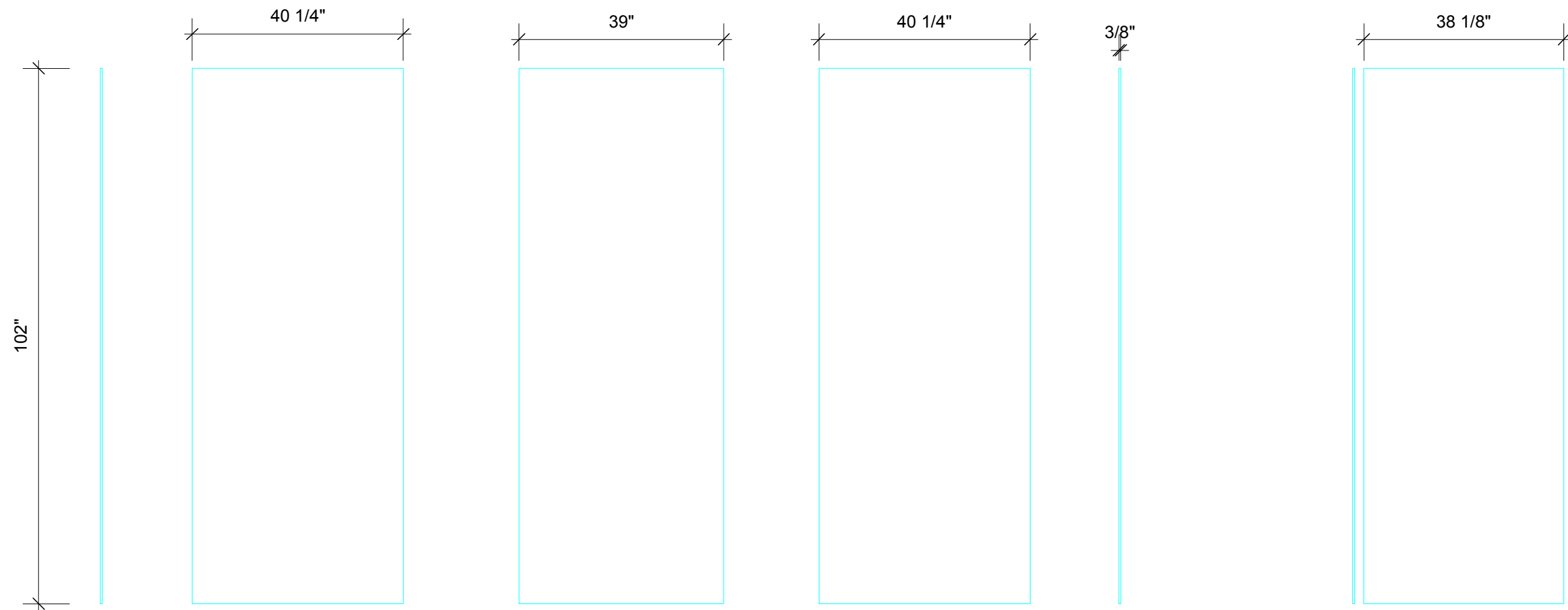
John Monaco
212-620-5000 ext. 353

140 West 17th Street
New York, NY 10011

opening date: 03-13-15

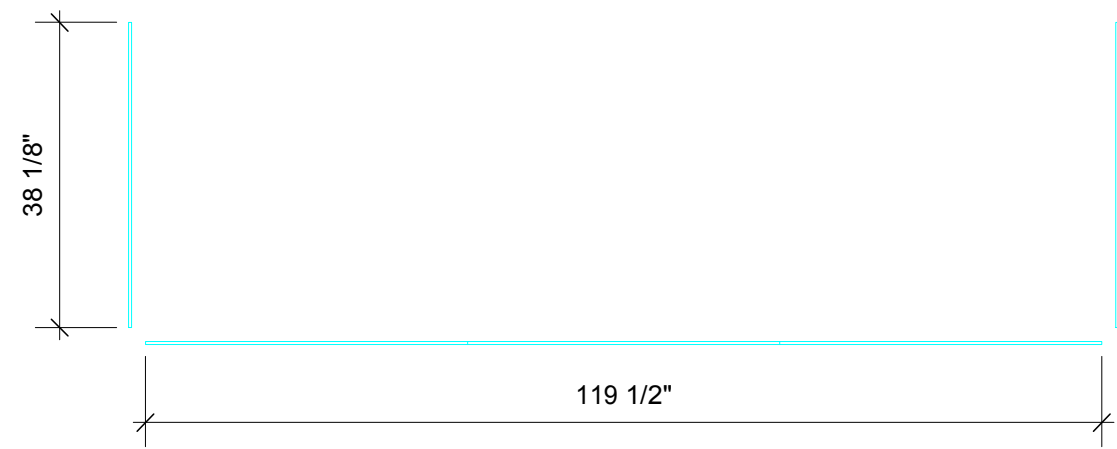
notes:

East/West
Costume Case
Plex

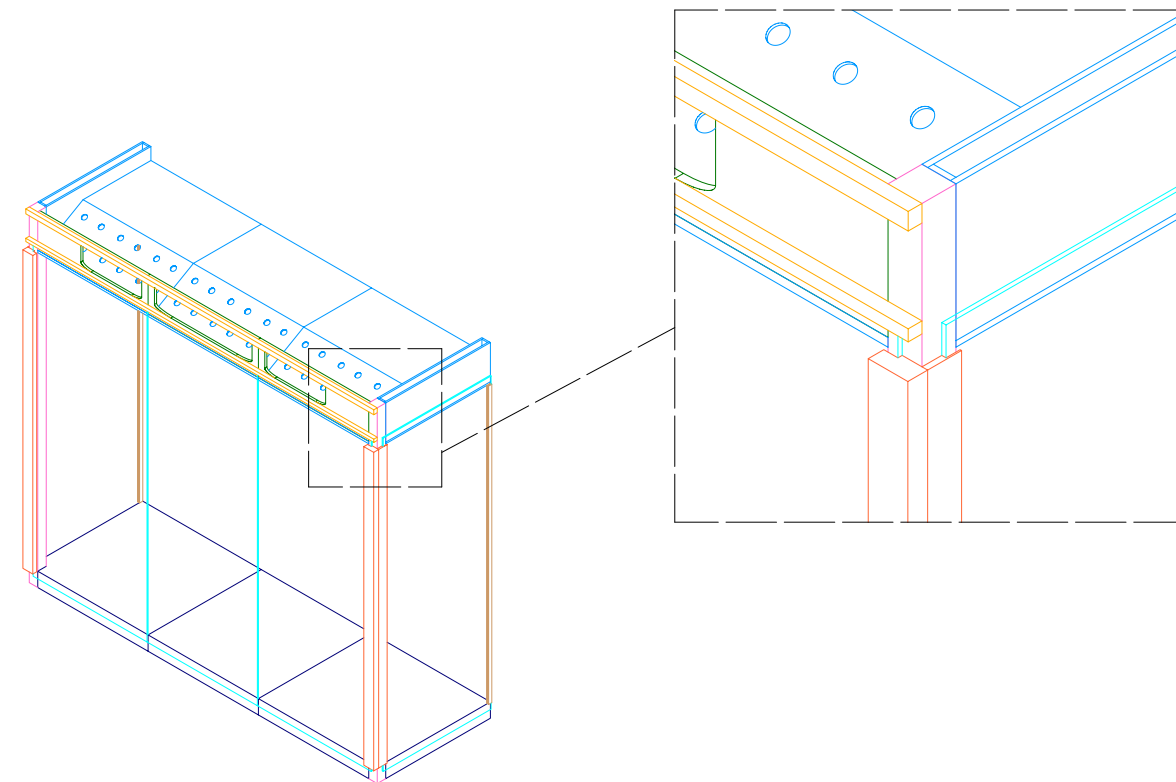


1 front
Scale: 1/2" = 1'-0"

2 side
Scale: 1/2" = 1'-0"



3 top/plan
Scale: 1/2" = 1'-0"



| ISSUED/REVISED | | |
|----------------|------|-------------|
| No. | Date | Description |
| 11-21-14 | | |
| 12-11-14 | | |
| 12-15-14 | | |
| 02-09-15 | | |

DRAWING TITLE
Becoming Another:
The Power of Masks
E/W Costume Case

Scale

Issue Date

File Name

DRAWING
No.

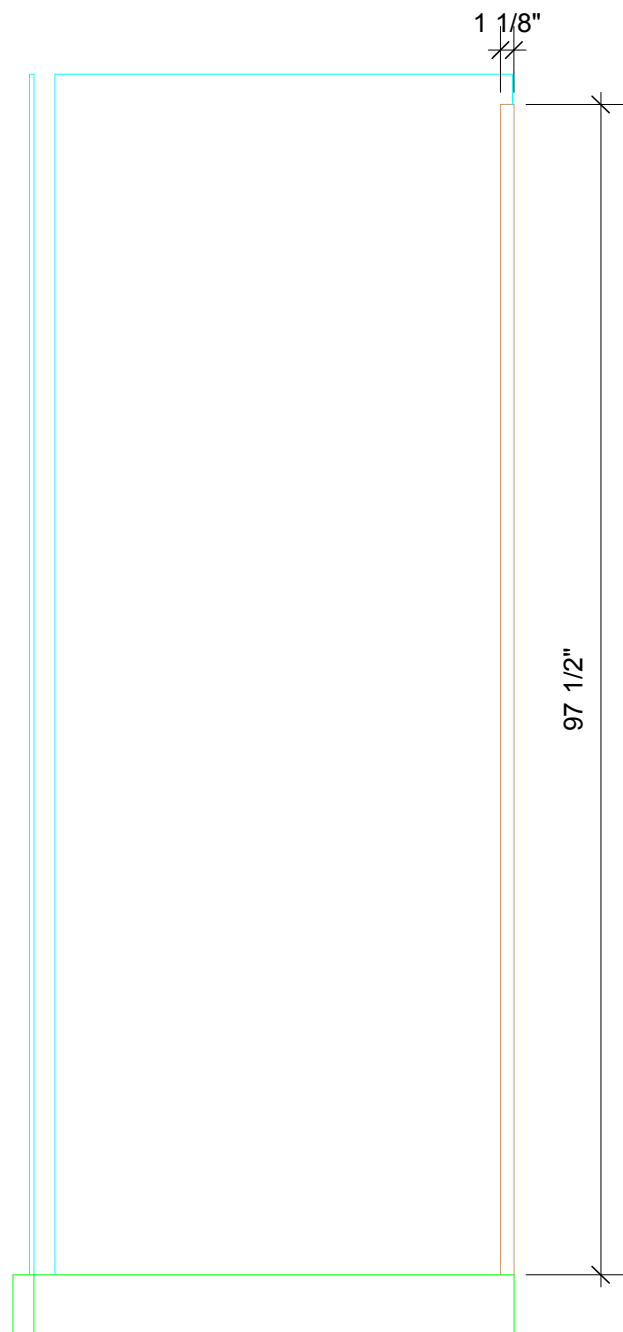
John Monaco
212-620-5000 ext. 353

140 West 17th Street
New York, NY 10011

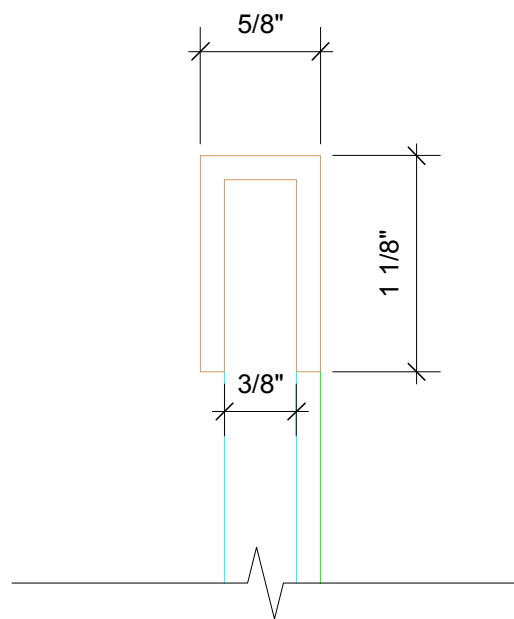
opening date: 03-13-15

notes:

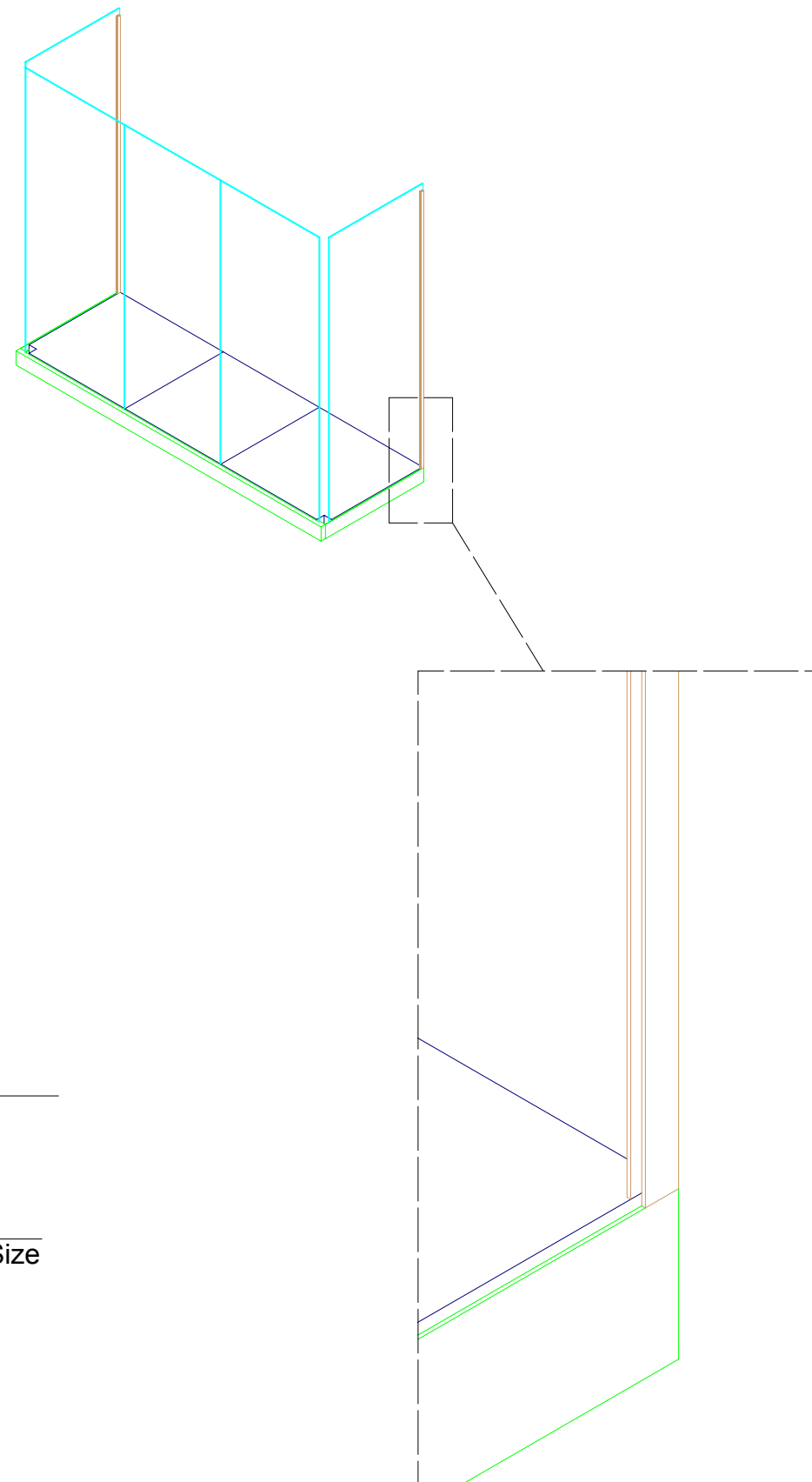
East/West
Costume Case
U channel



1 side
Scale: 3/4" = 1'-0"



2 plan
Scale: Actual Size



| ISSUED/REVISED | | |
|----------------|------|-------------|
| No. | Date | Description |
| 11-21-14 | | |
| 12-11-14 | | |
| 12-15-14 | | |
| 02-09-15 | | |

DRAWING TITLE
Becoming Another:
The Power of Masks
E/W Costume Case

Scale

Issue Date

File Name

DRAWING
No.

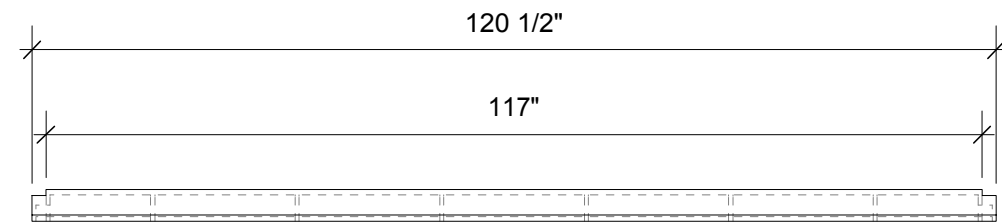
John Monaco
212-620-5000 ext. 353

140 West 17th Street
New York, NY 10011

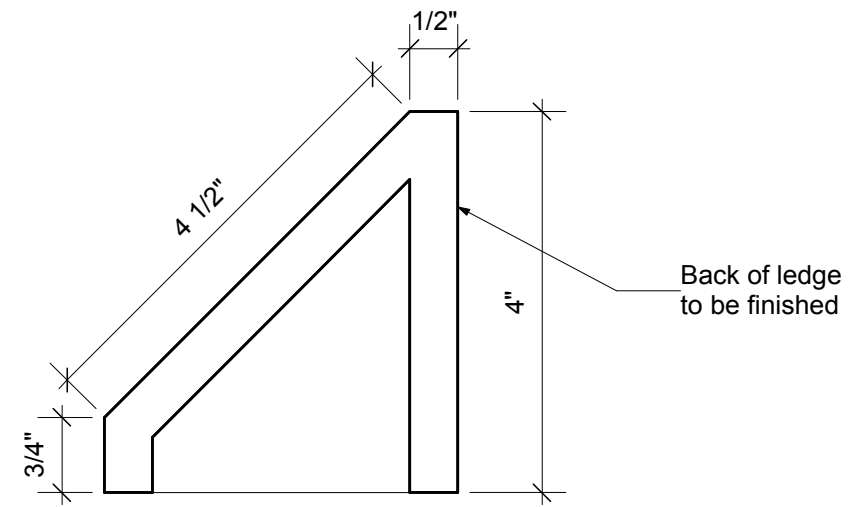
opening date: 03-13-15

notes:

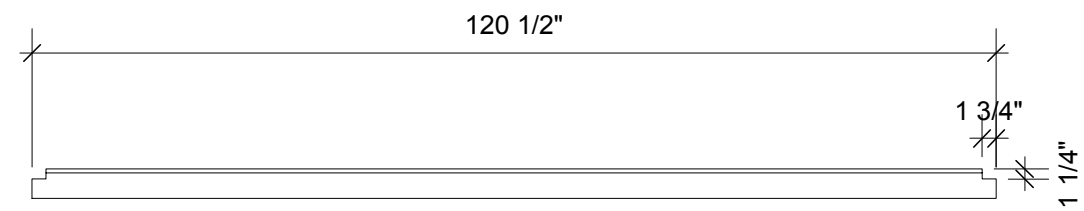
East/West
Costume Case
Label ledge



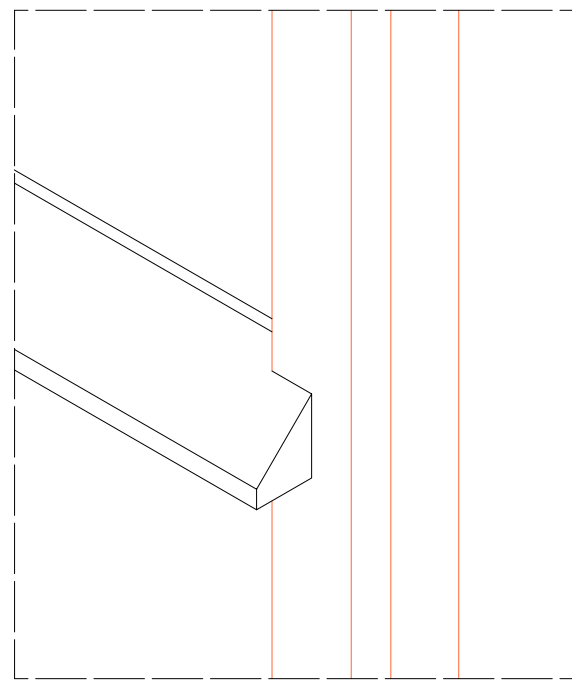
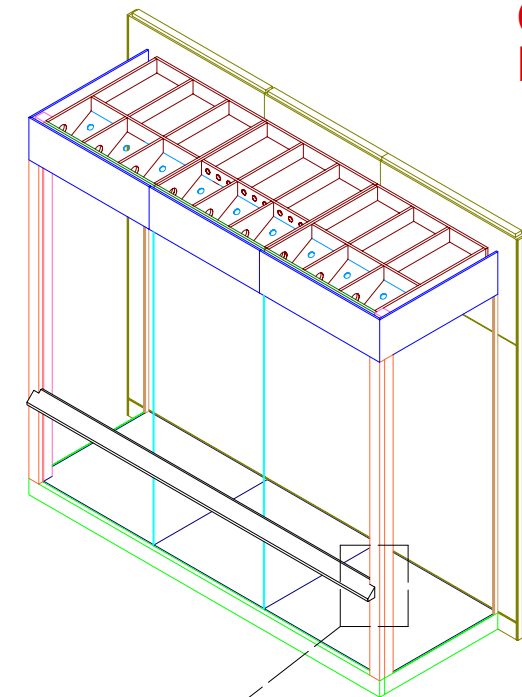
1 front
Scale: 1/2" = 1'-0"



2 Section thru ledge
Scale: Half Actual Size



3 top/plan
Scale: 1/2" = 1'-0"



| ISSUED/REVISED | | |
|----------------|------|-------------|
| No. | Date | Description |
| 11-21-14 | | |
| 12-11-14 | | |
| 12-15-14 | | |
| 02-09-15 | | |

DRAWING TITLE
Becoming Another:
The Power of Masks
E/W Costume Case

Scale

Issue Date

File Name

DRAWING
No.