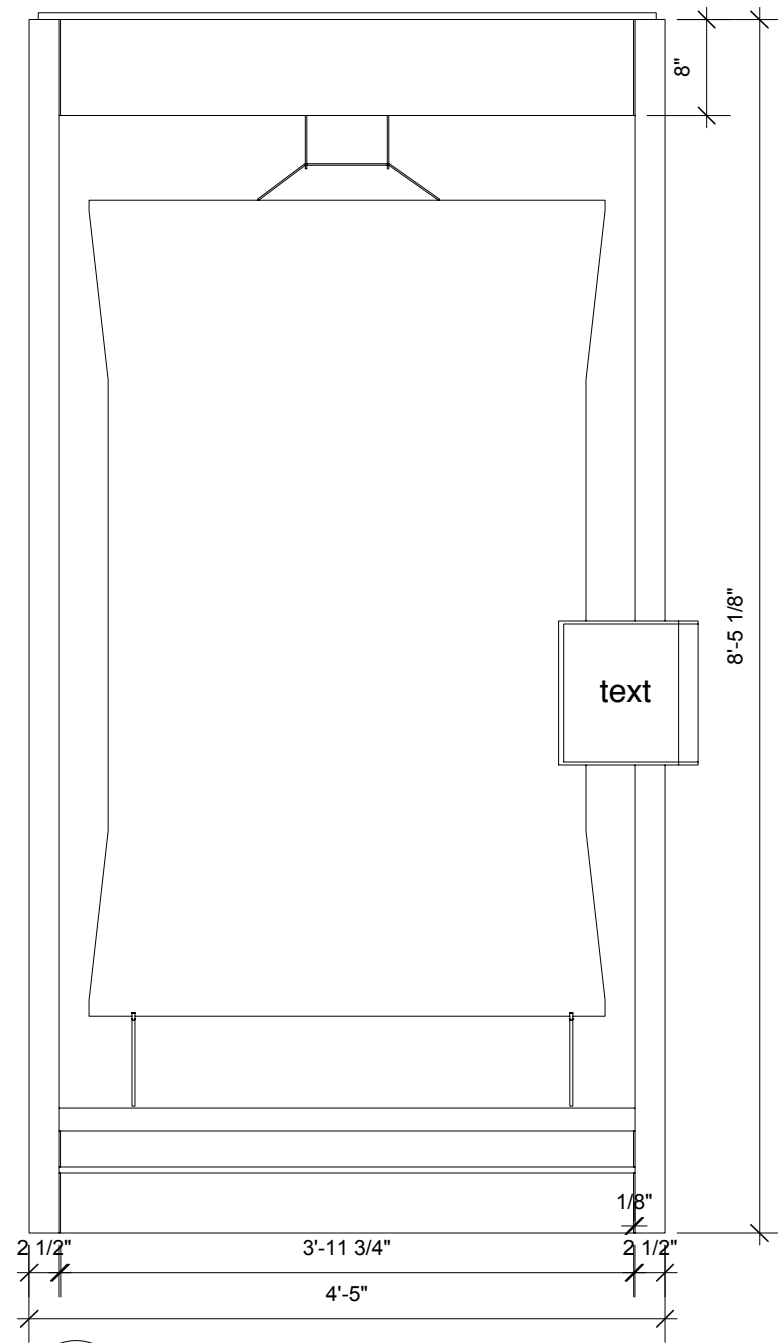


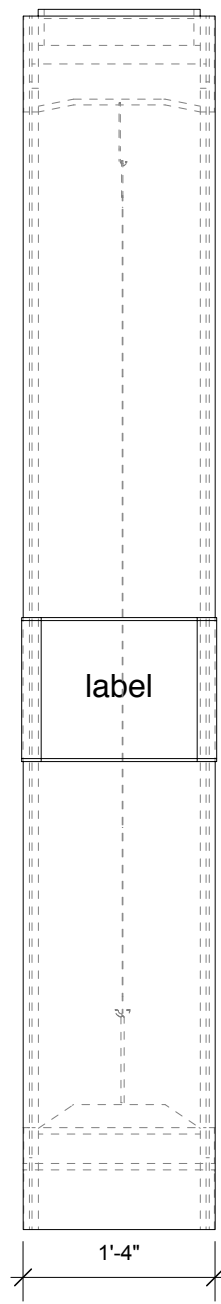
John Monaco Design

John Monaco
646-410-6487
johnmonacodesign@gmail.com
www.johnmonacodesign.com

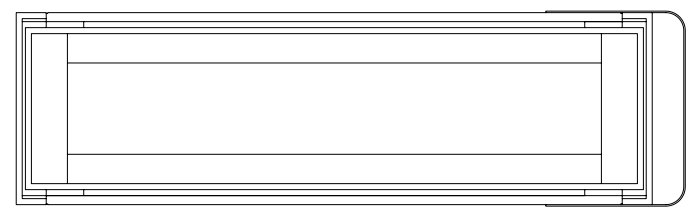
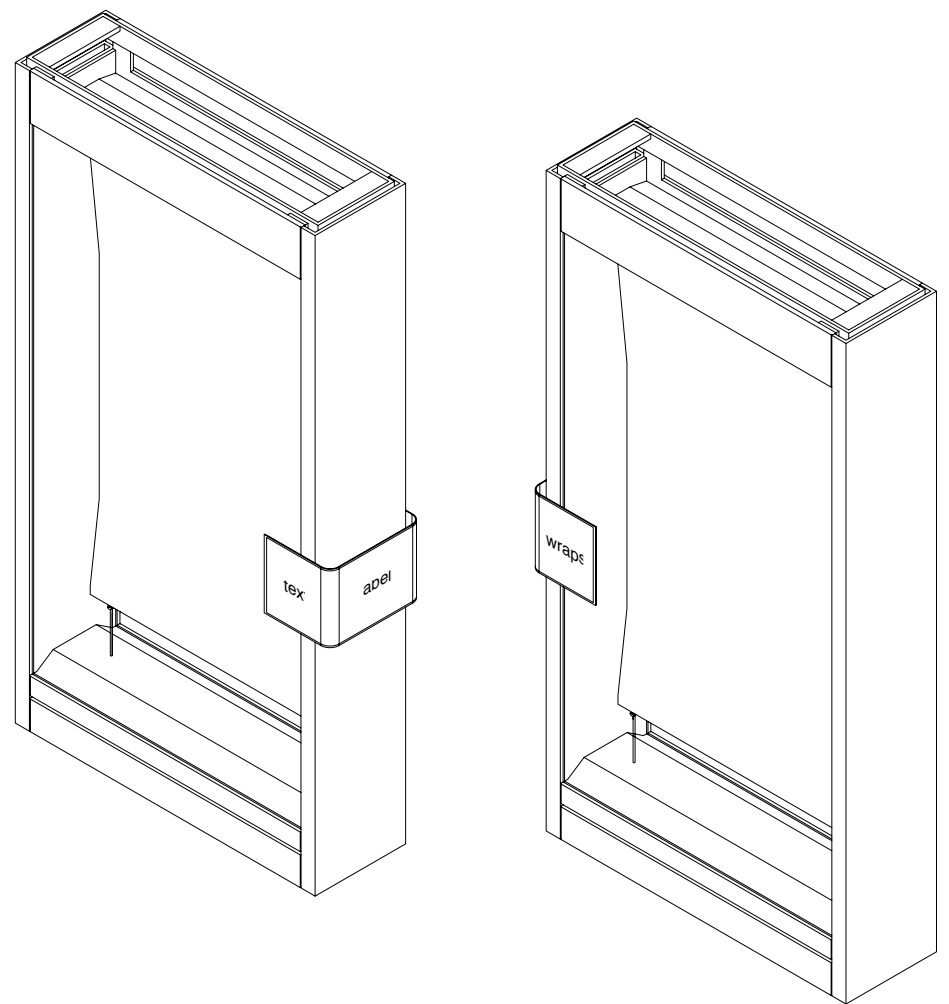
702 49th Street 3R
Brooklyn, NY
11220



1 front
Scale: 3/4" = 1'-0"



2 side
Scale: 3/4" = 1'-0"



3 top/plan
Scale: 3/4" = 1'-0"

ISSUED/REVISED		
No.	Date	Description
	8-11-11	
	9-07-11	

DRAWING TITLE
Double Sided Painting
AIMS 175.4
checklist #24

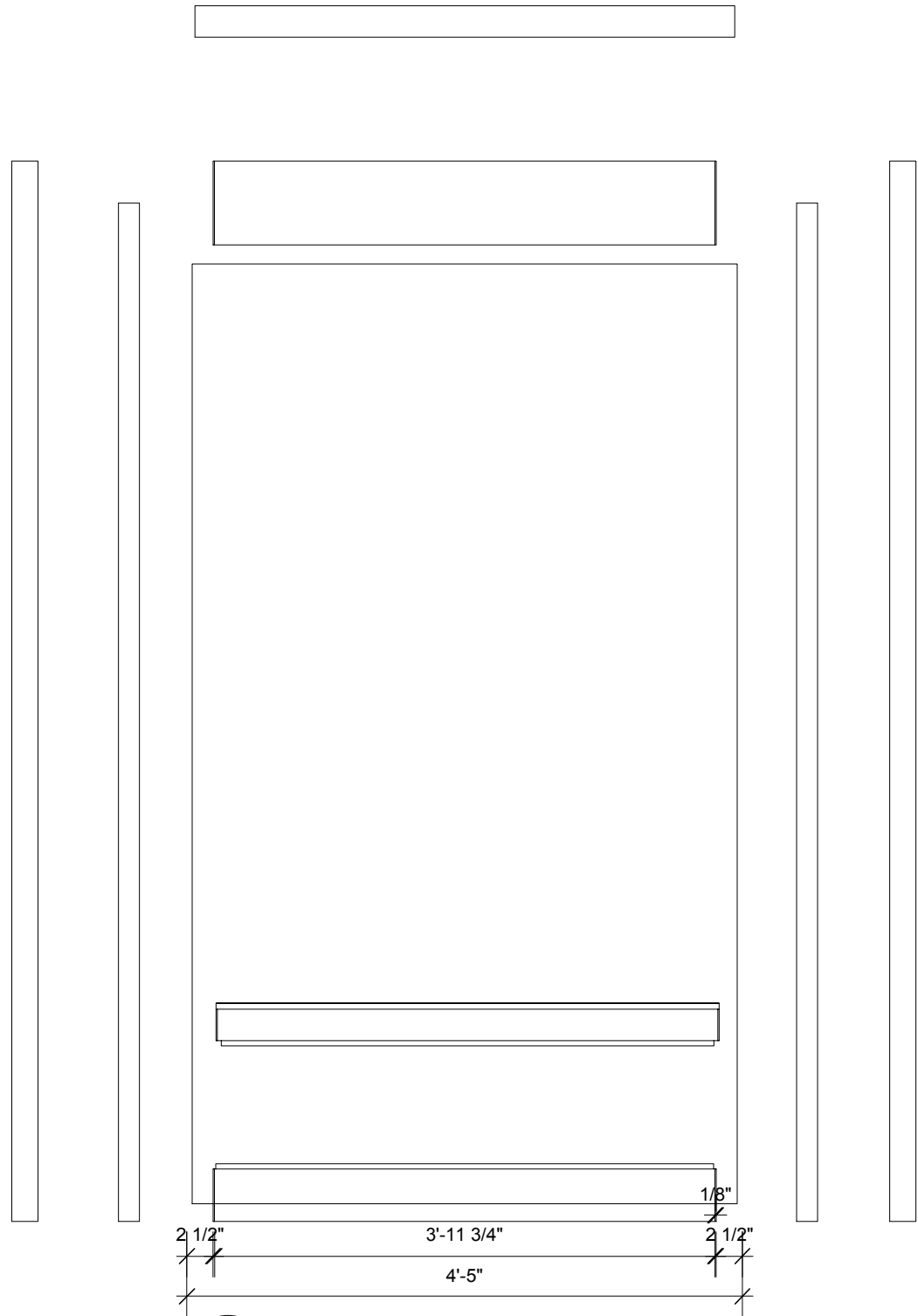
Scale
Issue Date
File Name

DRAWING No.

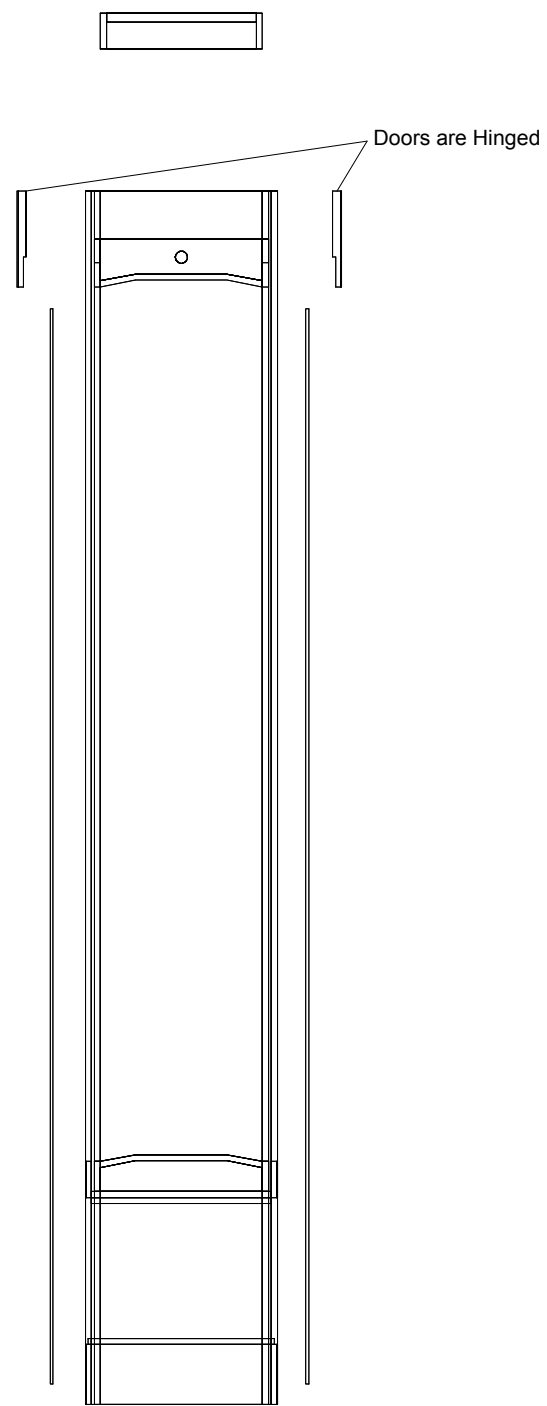
John Monaco Design

John Monaco
 646-410-6487
 johnmonacodesign@gmail.com
 www.johnmonacodesign.com

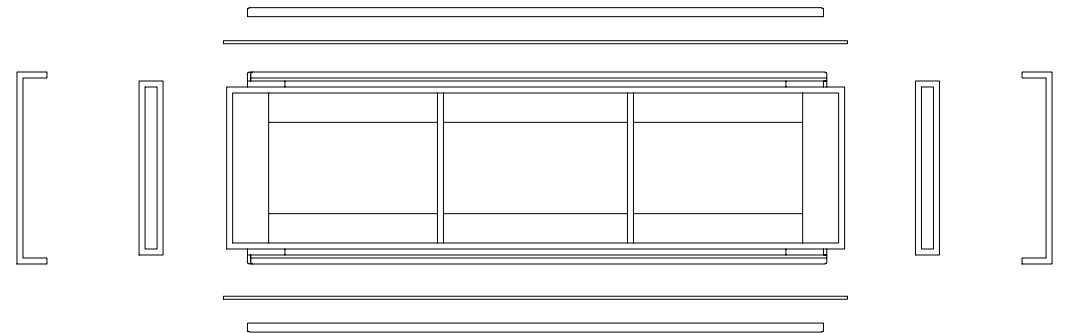
702 49th Street 3R
 Brooklyn, NY
 11220



1 front
 Scale: 3/4" = 1'-0"



2 side
 Scale: 3/4" = 1'-0"



3 top/plan
 Scale: 3/4" = 1'-0"

ISSUED/REVISED		Description
No.	Date	
	8-11-11	
	9-07-11	

DRAWING TITLE
 Double Sided Painting
 AIMS 175.4
 checklist #24

Scale

Issue Date

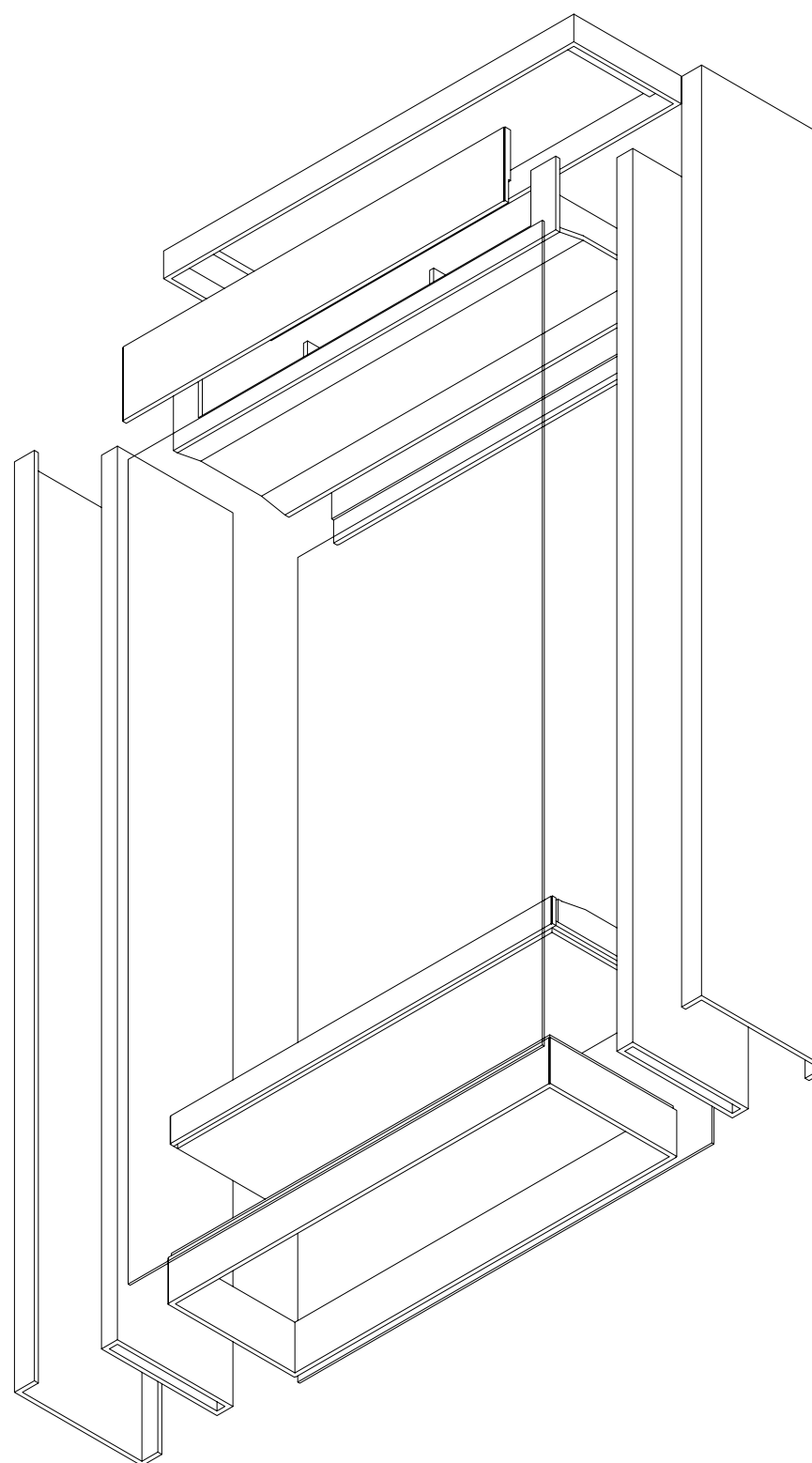
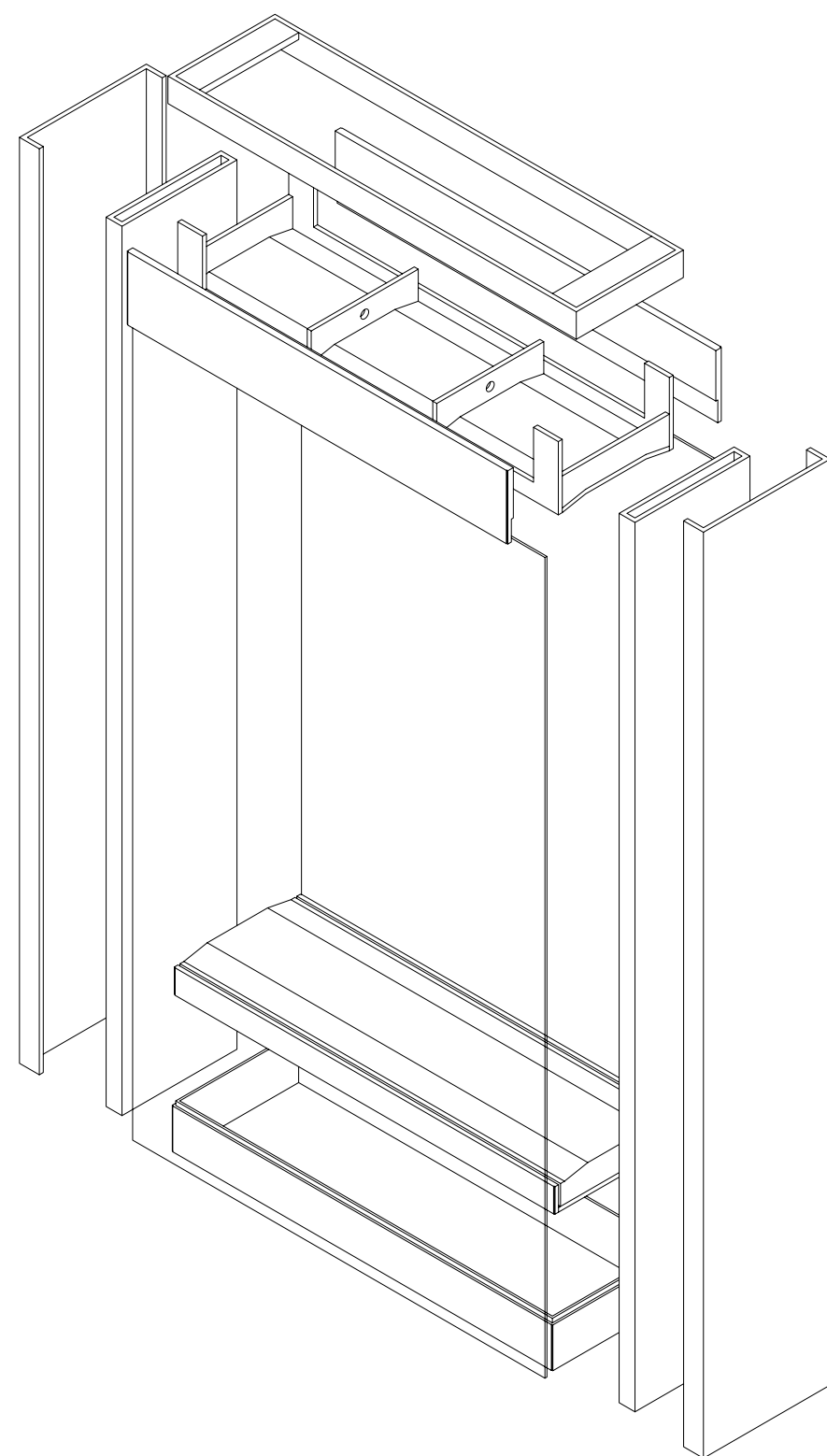
File Name

DRAWING No.

John Monaco Design

John Monaco
646-410-6487
johnmonacodesign@gmail.com
www.johnmonacodesign.com

702 49th Street 3R
Brooklyn, NY
11220



ISSUED/REVISED		Description
No.	Date	

	8-11-11	
--	---------	--

	9-07-11	
--	---------	--

DRAWING TITLE

Double Sided Painting
AIMS 175.4
checklist #24

Scale

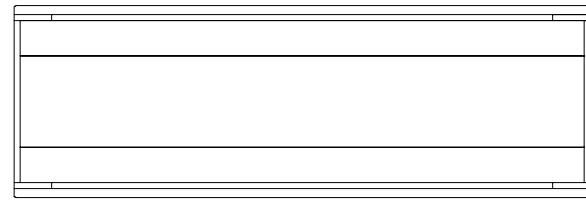
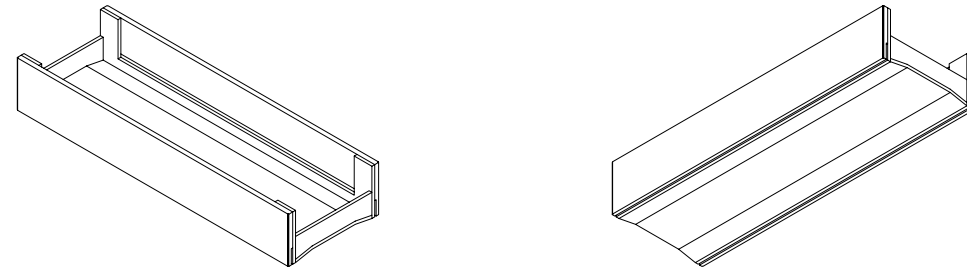
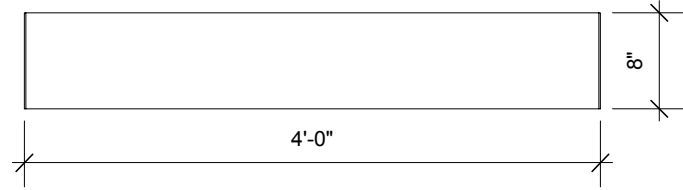
Issue Date

File Name

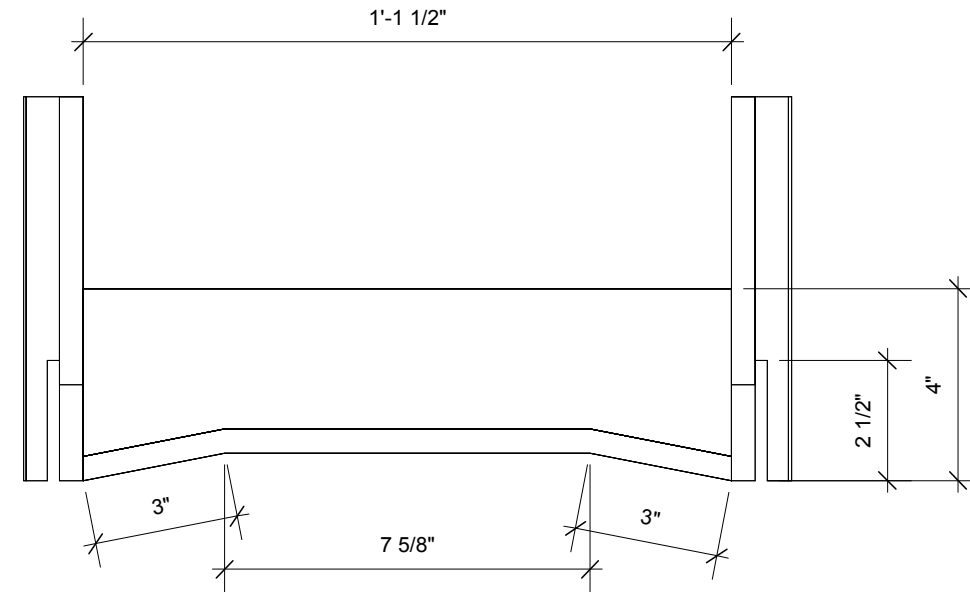
DRAWING
No.

John Monaco Design

John Monaco
 646-410-6487
 johnmonacodesign@gmail.com
 www.johnmonacodesign.com
 702 49th Street 3R
 Brooklyn, NY
 11220



3 top/plan
 Scale: 3/4" = 1'-0"



2 side
 Scale: 3" = 1'-0"

ISSUED/REVISED No.	Date	Description
	8-11-11	
	9-07-11	

DRAWING TITLE
 Double Sided Painting
 AIMS 175.4
 checklist #24

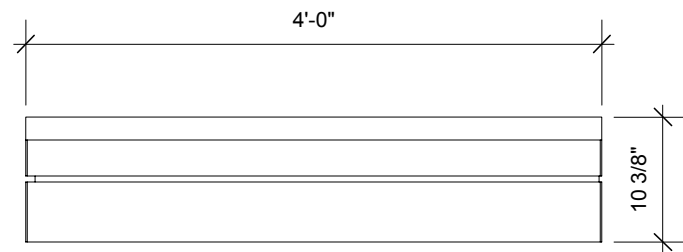
Scale
 Issue Date
 File Name

DRAWING No.

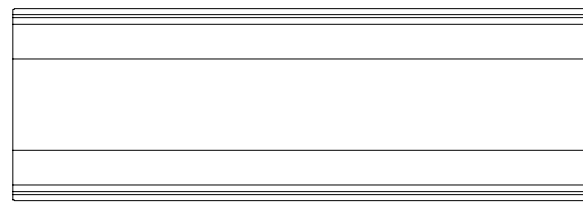
John Monaco Design

John Monaco
646-410-6487
johnmonacodesign@gmail.com
www.johnmonacodesign.com

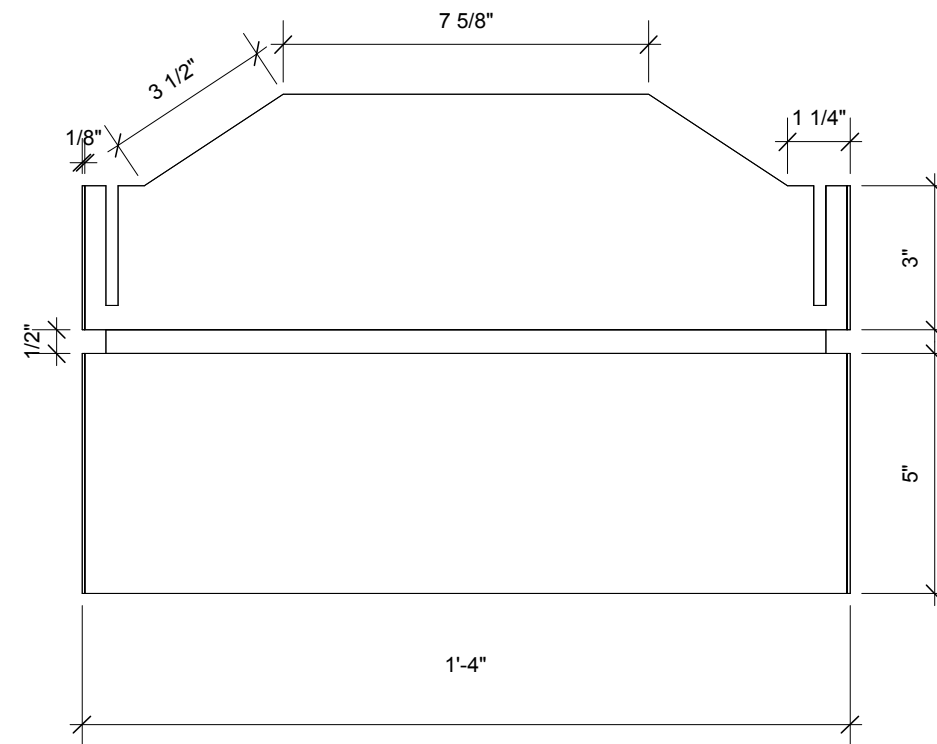
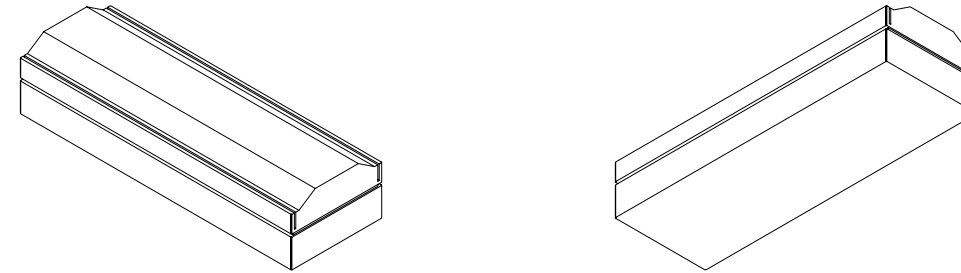
702 49th Street 3R
Brooklyn, NY
11220



1 front
Scale: 3/4" = 1'-0"



3 top/plan
Scale: 3/4" = 1'-0"



2 side
Scale: 3" = 1'-0"

ISSUED/REVISED
No. Date Description

8-11-11
9-07-11

DRAWING TITLE

Double Sided Painting
AIMS 175.4
checklist #24

Scale

Issue Date

File Name

DRAWING
No.