

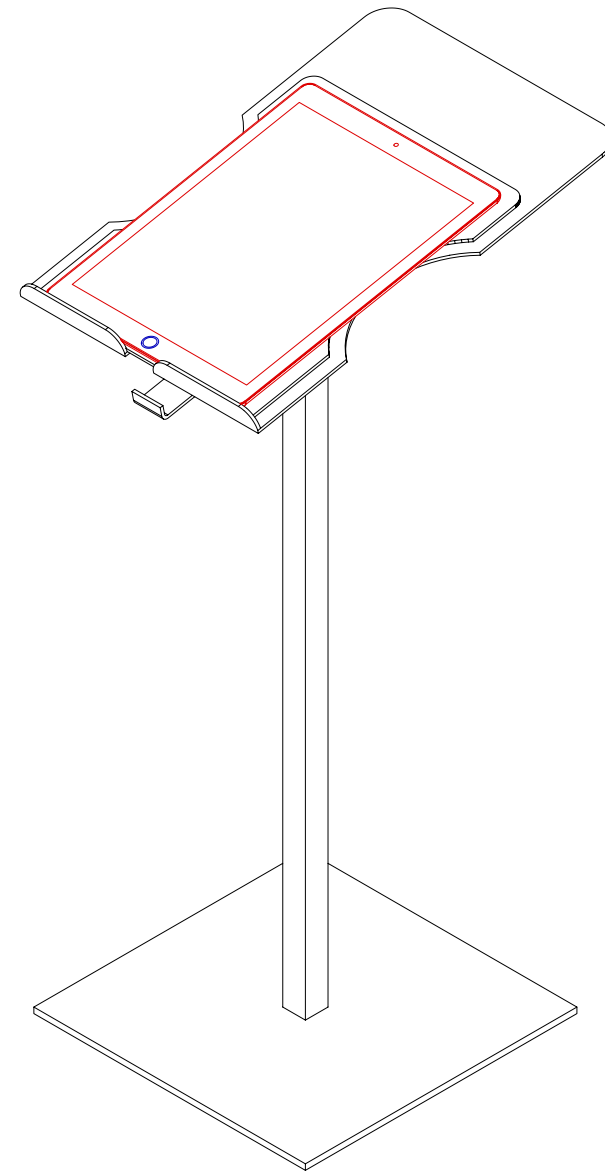
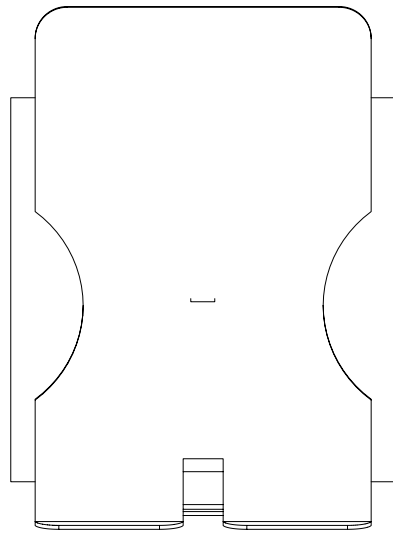
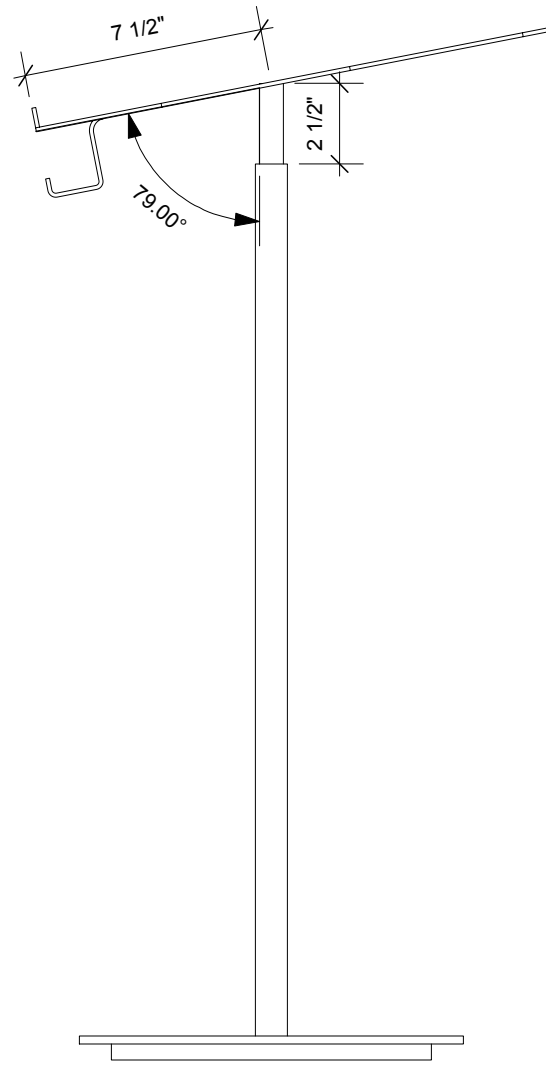
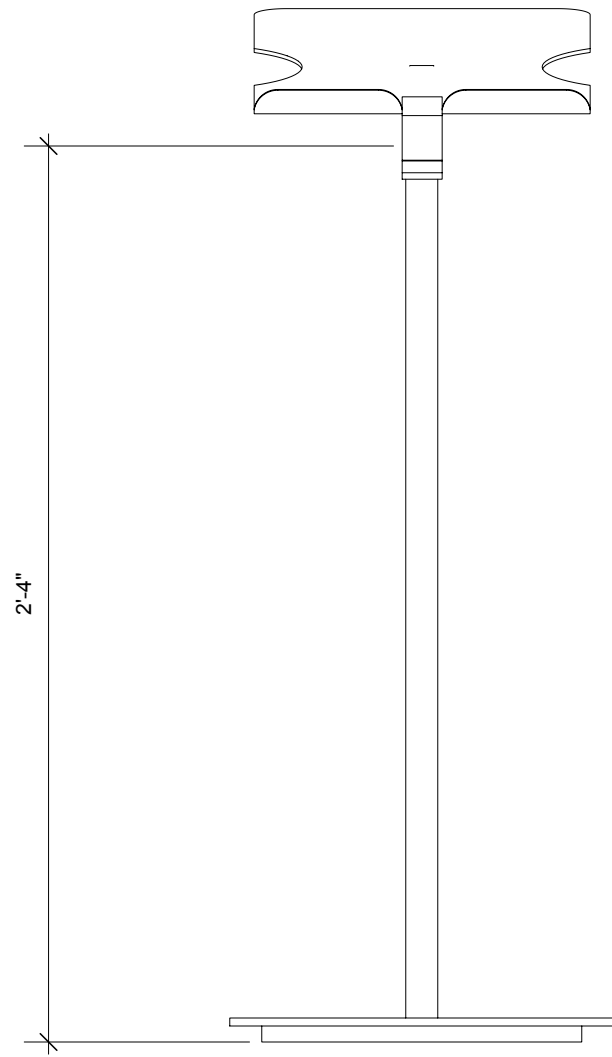
THE
RUBIN
MUSEUM
OF
ART

John Monaco
212-620-5000 ext. 353

opening date:

notes:

2 units needed



ISSUED/REVISED
No. Date Description

11-14-17
11-21-17

DRAWING TITLE
I Pad Pro Stand

Scale

Issue Date

File Name

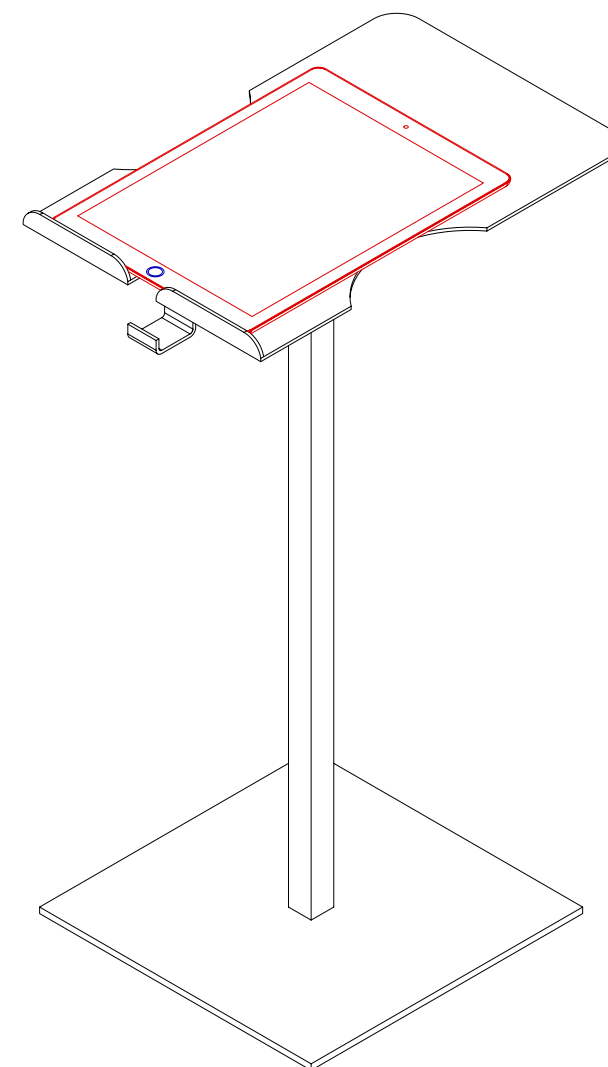
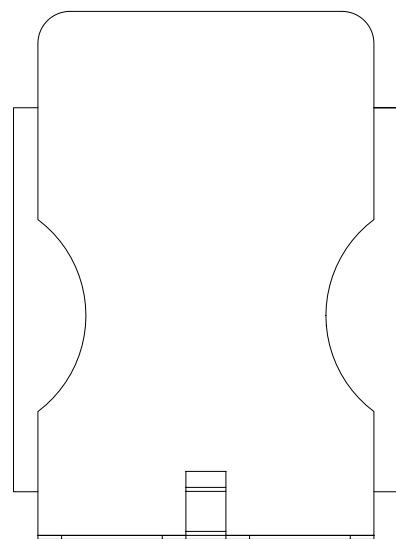
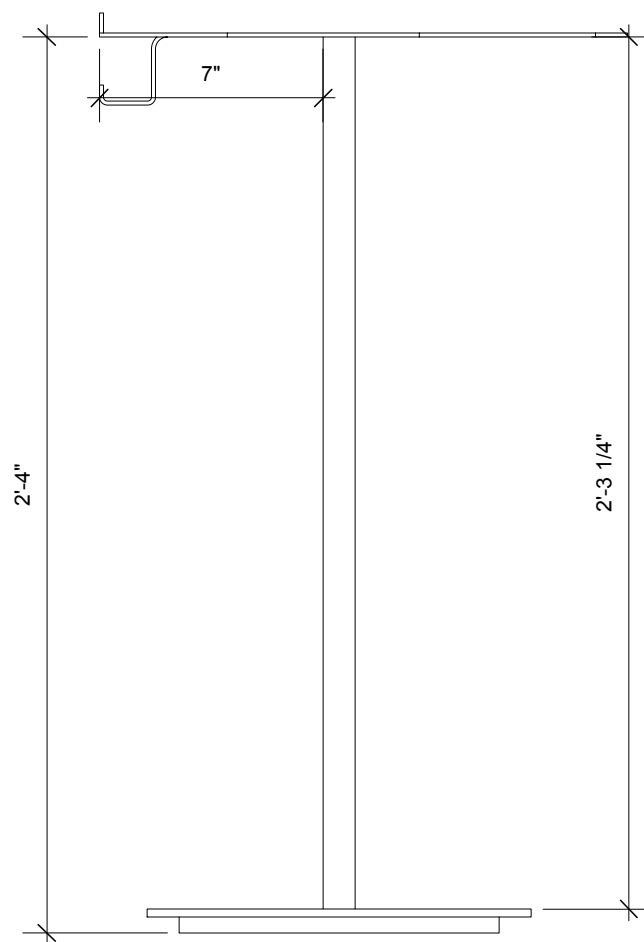
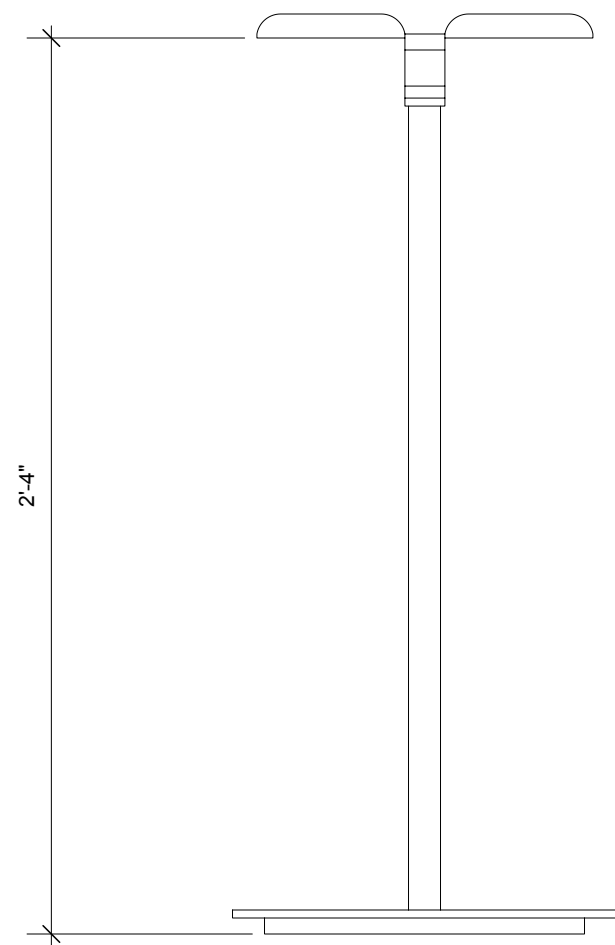
DRAWING
No.

John Monaco
212-620-5000 ext. 353

opening date:

notes:

1 unit needed



ISSUED/REVISED		
No.	Date	Description
	11-14-17	
	11-21-17	

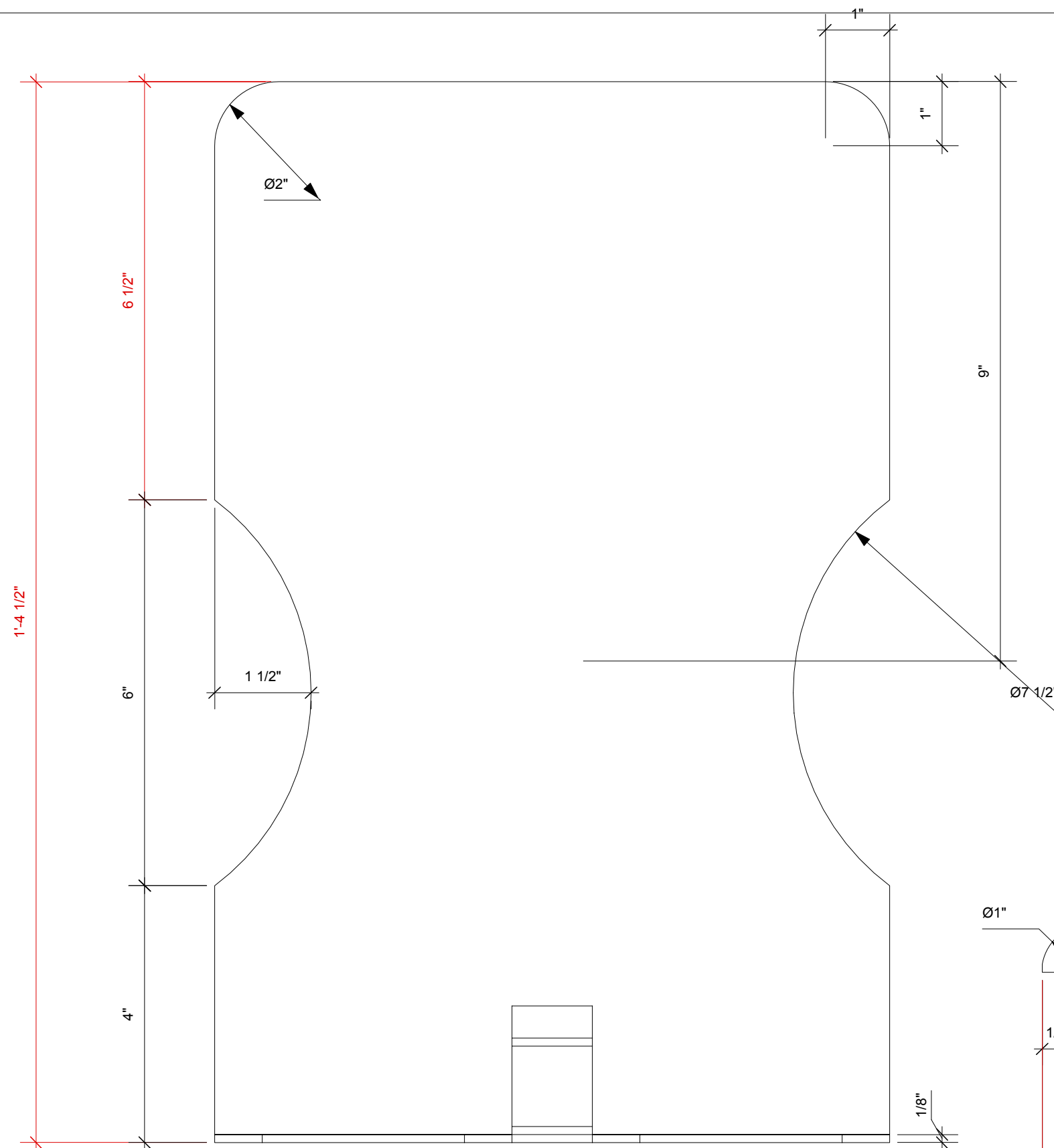
DRAWING TITLE
I Pad Pro Stand

Scale

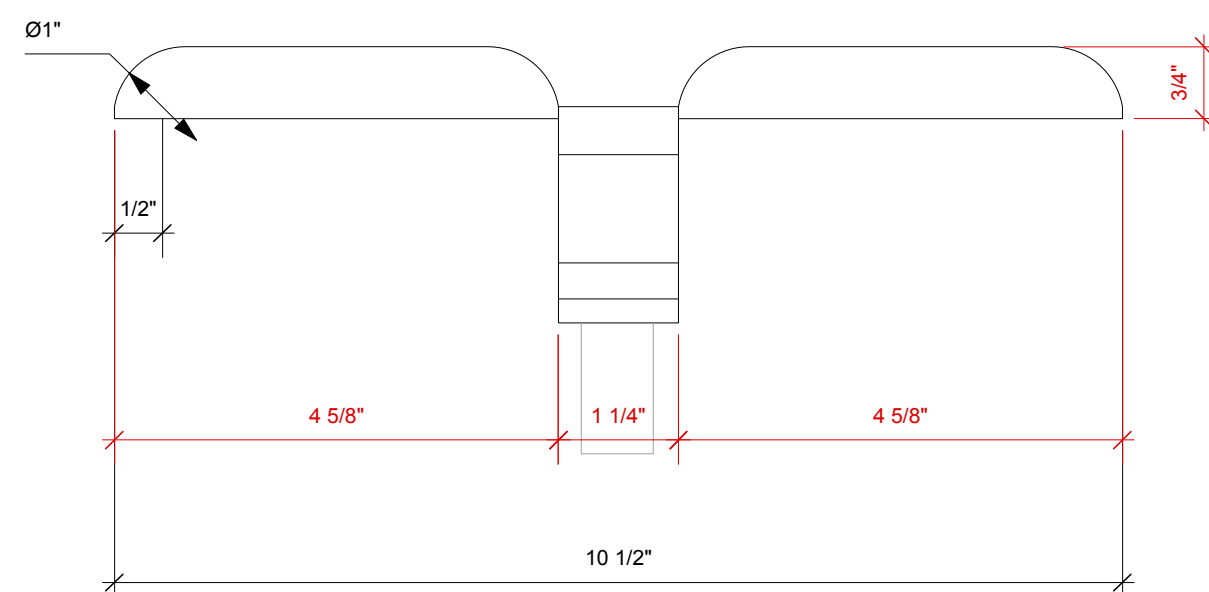
Issue Date

File Name

DRAWING
No.



1/8" Aluminum



ISSUED/REVISED		
No.	Date	Description
	11-14-17	
	11-21-17	

DRAWING TITLE
I Pad Pro Stand

Scale

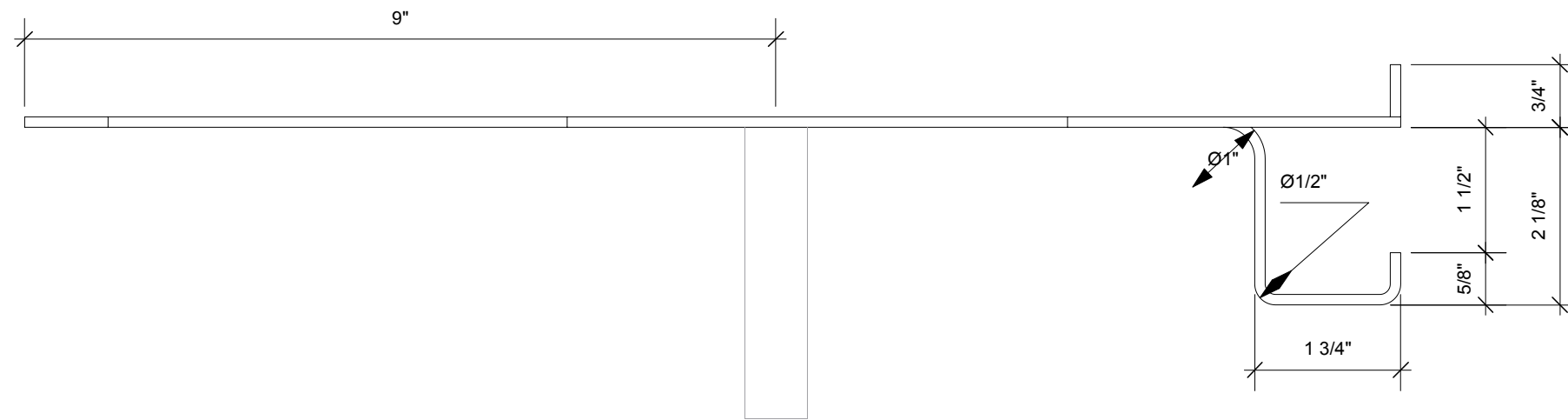
Issue Date

File Name

DRAWING
No.

opening date:

notes:



ISSUED/REVISED

No.	Date	Description
	11-14-17	
	11-21-17	

DRAWING TITLE

I Pad Pro Stand

Scale

Issue Date

File Name

DRAWING
No.