

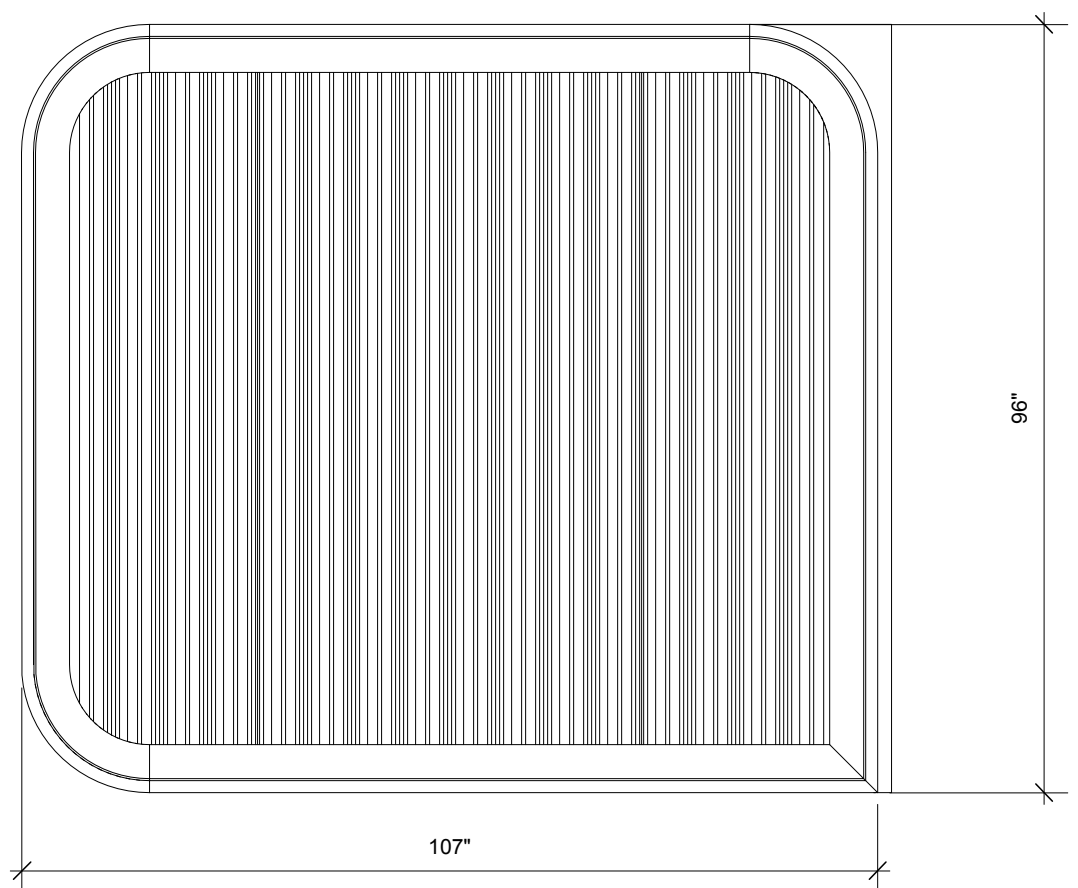
John Monaco Design

John Monaco
646-410-6487
johnmonacodesign@gmail.com
www.johnmonacodesign.com

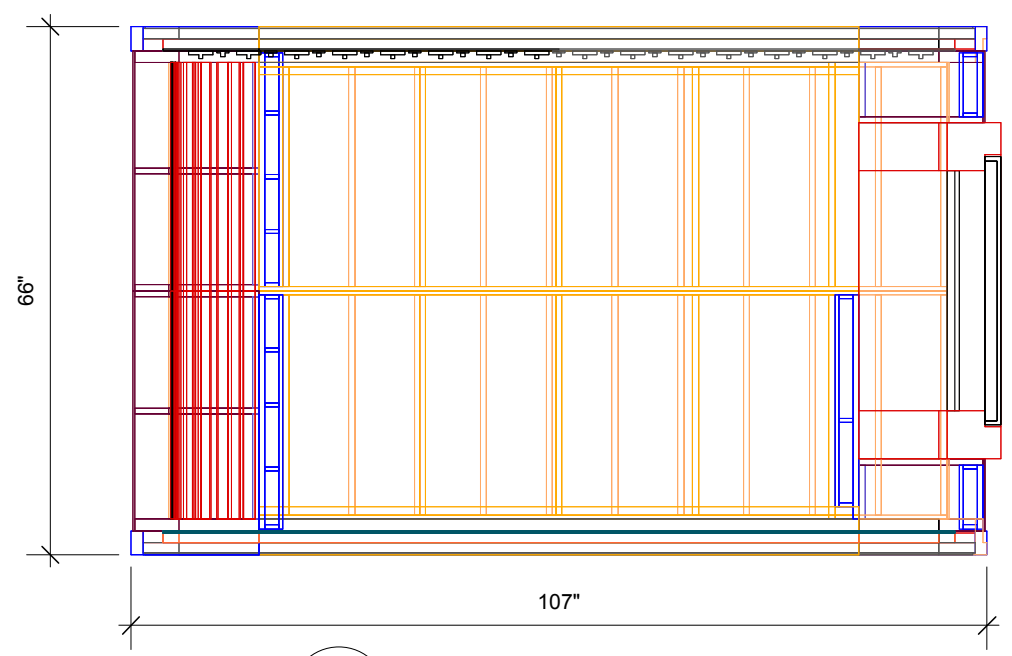
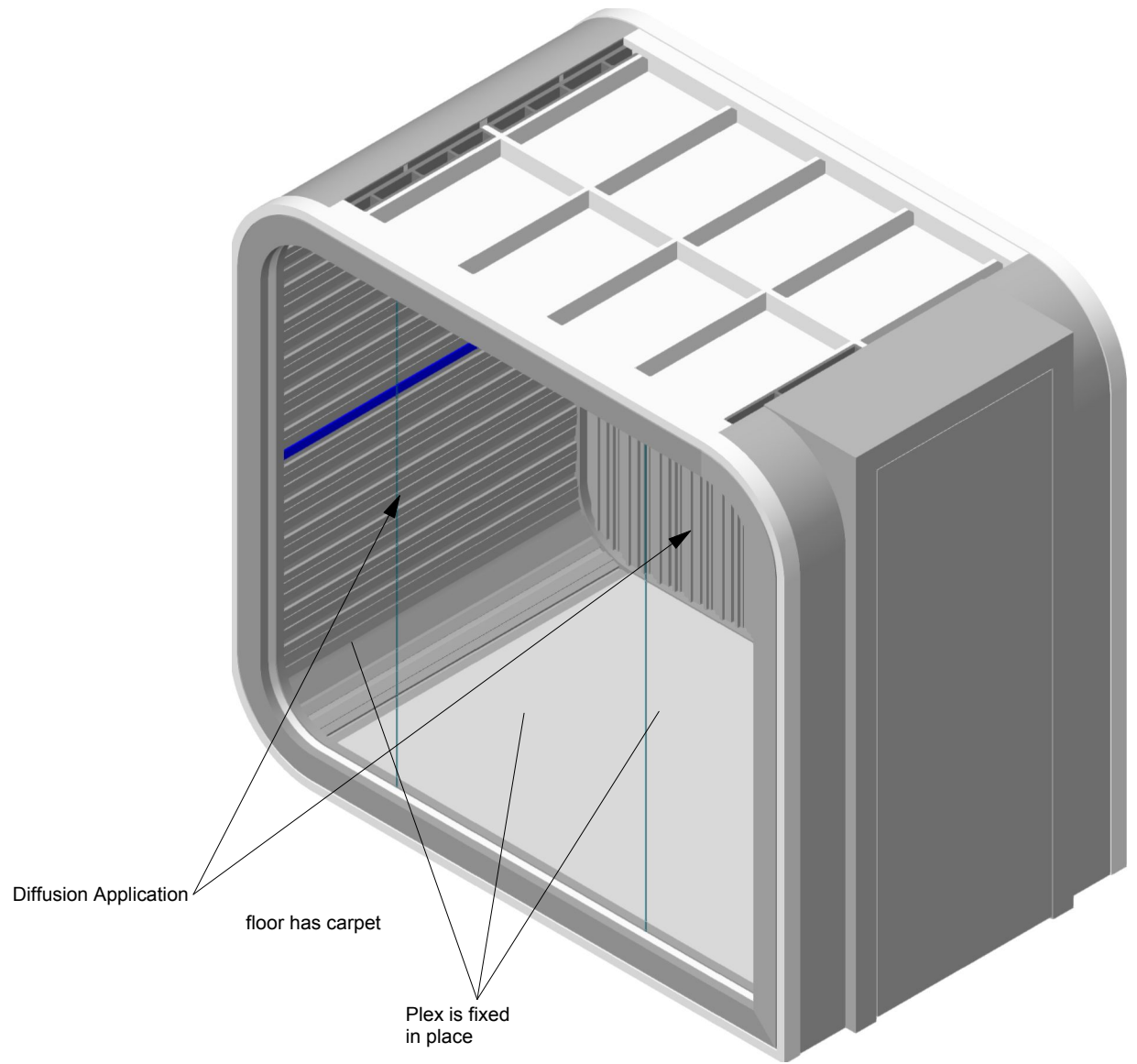
702 49th Street 3R
Brooklyn, NY
11220

opening date:

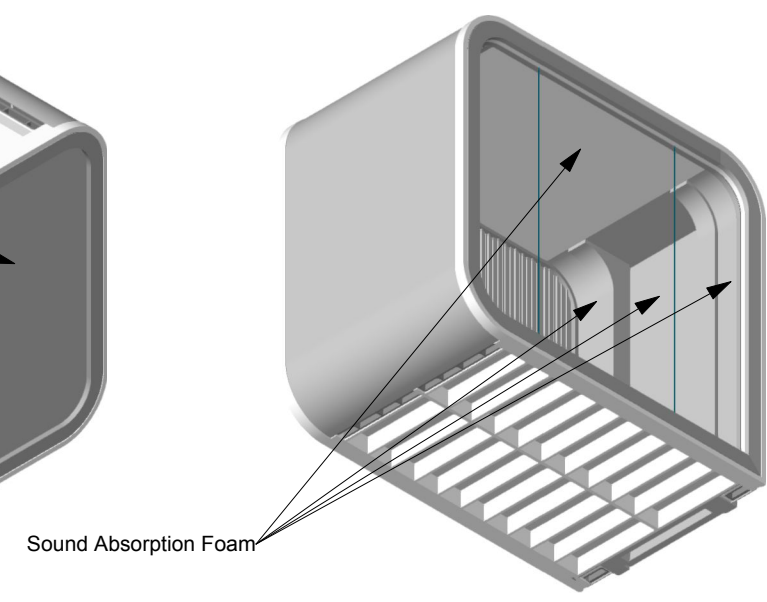
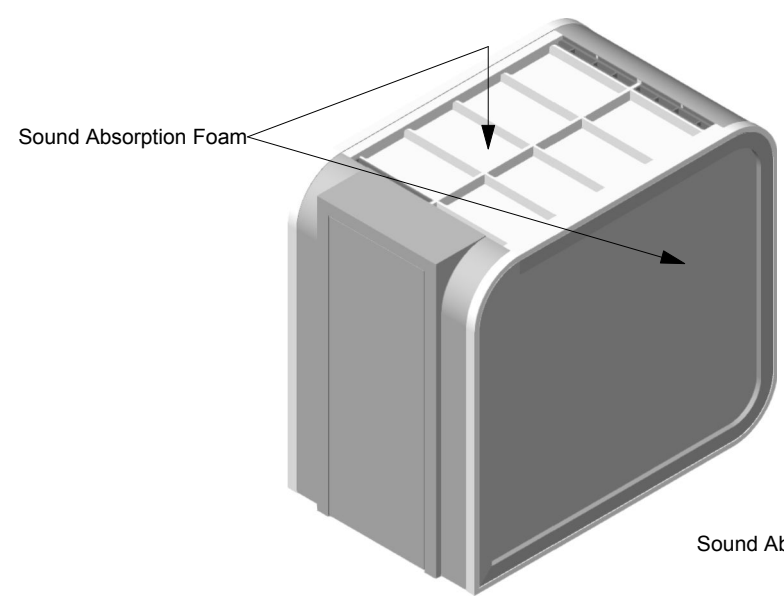
notes:



1 front
Scale: 1/2" = 1'-0"



3 top/plan
Scale: 1/2" = 1'-0"



ISSUED/REVISED		
No.	Date	Description

DRAWING TITLE

Scale

Issue Date

File Name

DRAWING No.

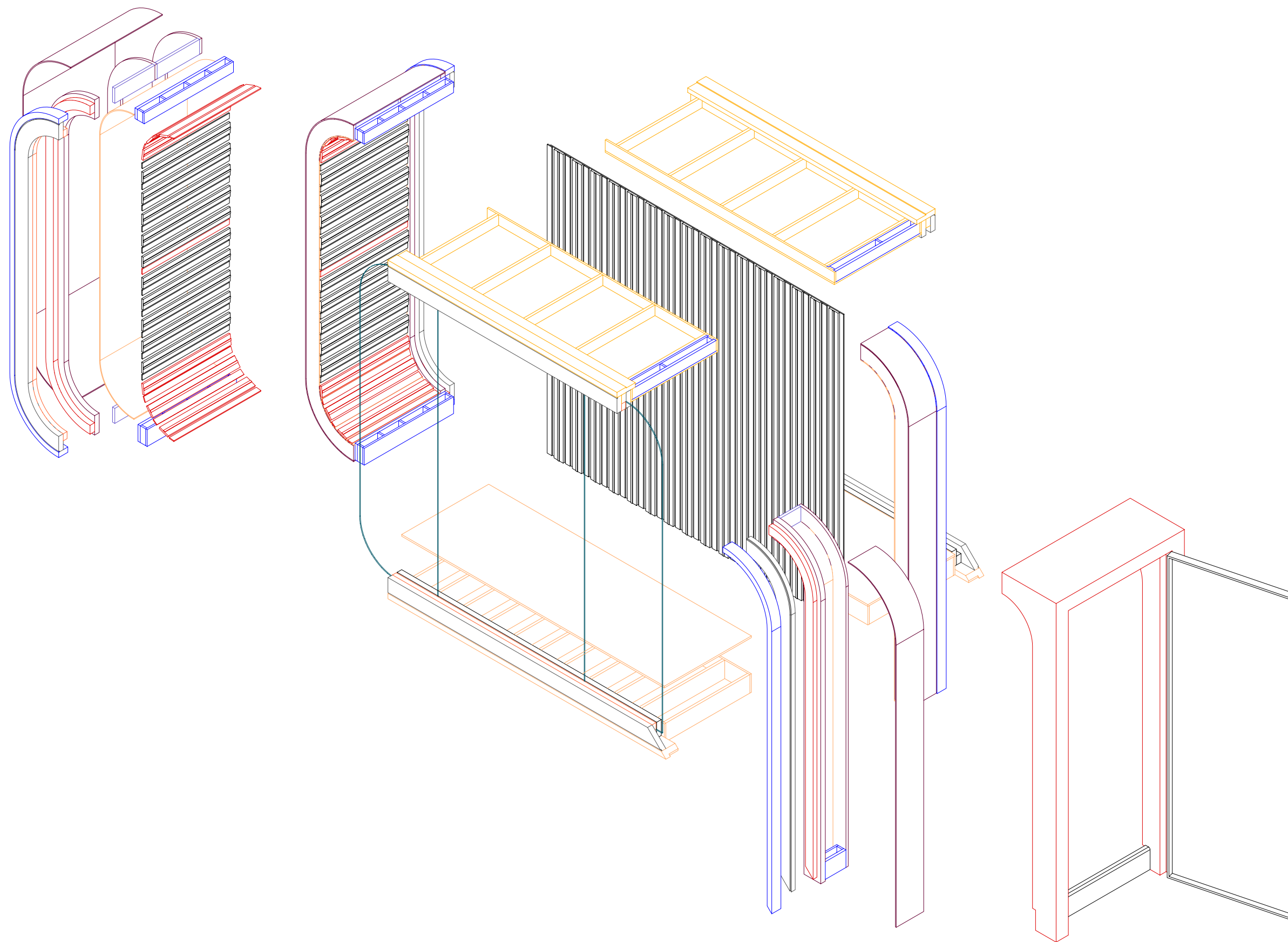
John Monaco Design

John Monaco
646-410-6487
johnmonacodesign@gmail.com
www.johnmonacodesign.com

702 49th Street 3R
Brooklyn, NY
11220

opening date:

notes:



ISSUED/REVISED		
No.	Date	Description

DRAWING TITLE

Scale

Issue Date

File Name

DRAWING
No.

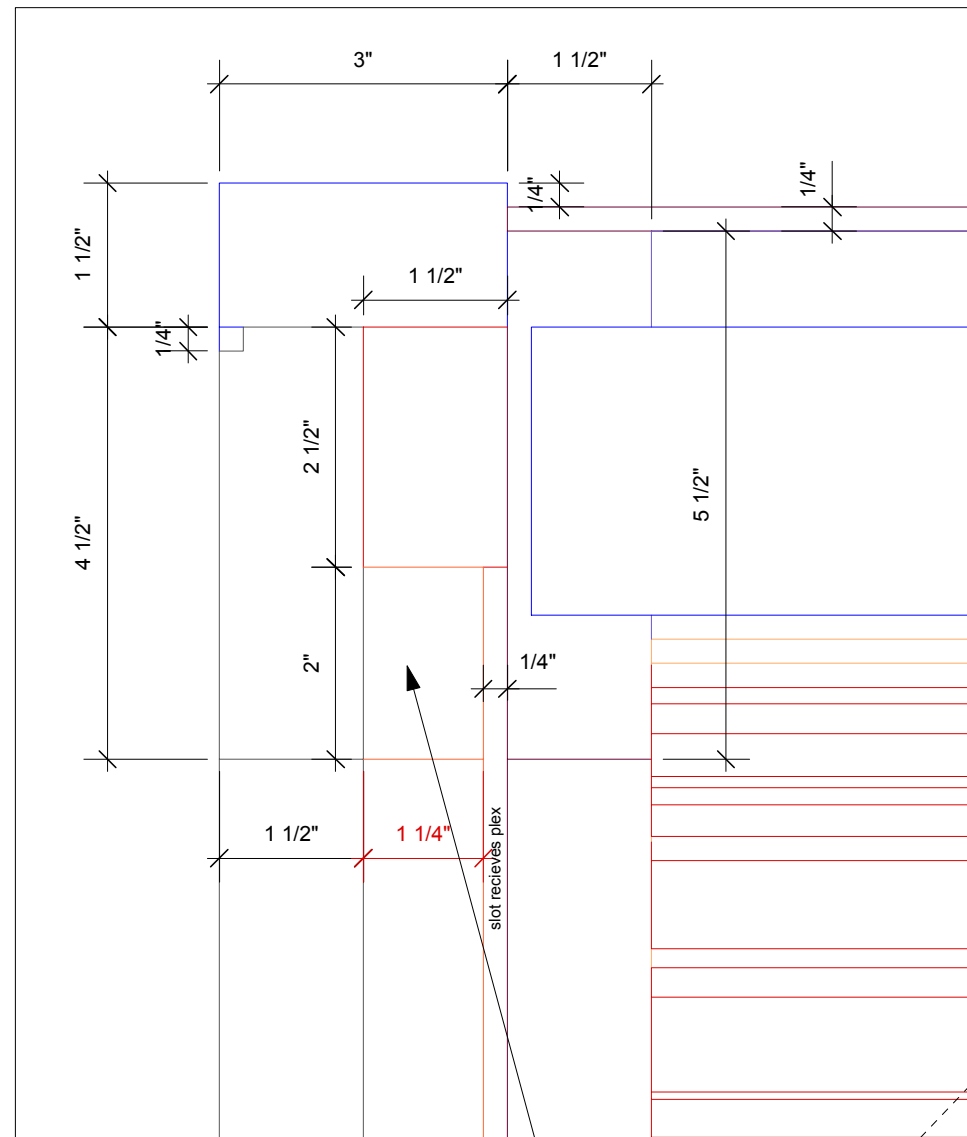
John Monaco Design

John Monaco
646-410-6487
johnmonacodesign@gmail.com
www.johnmonacodesign.com

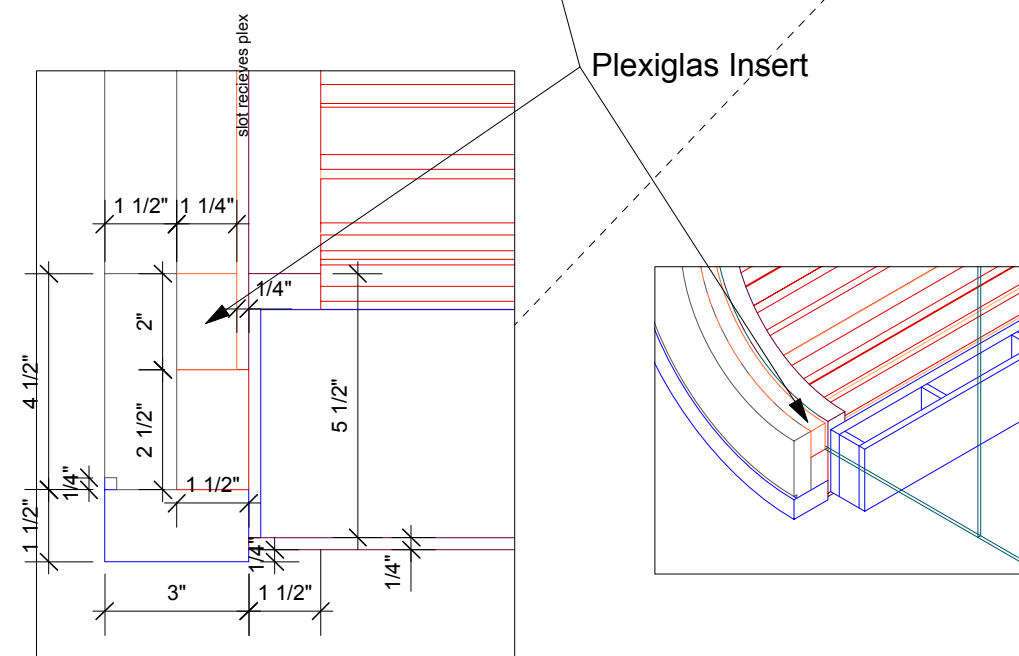
702 49th Street 3R
Brooklyn, NY
11220

opening date:

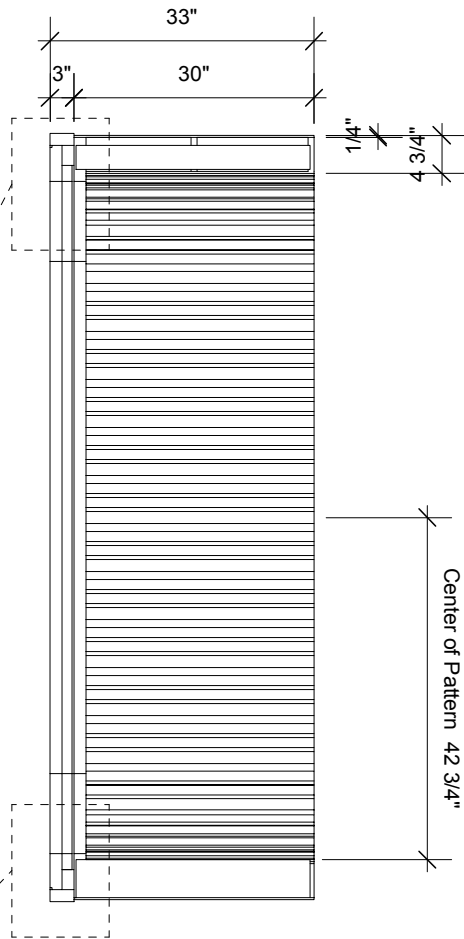
notes:



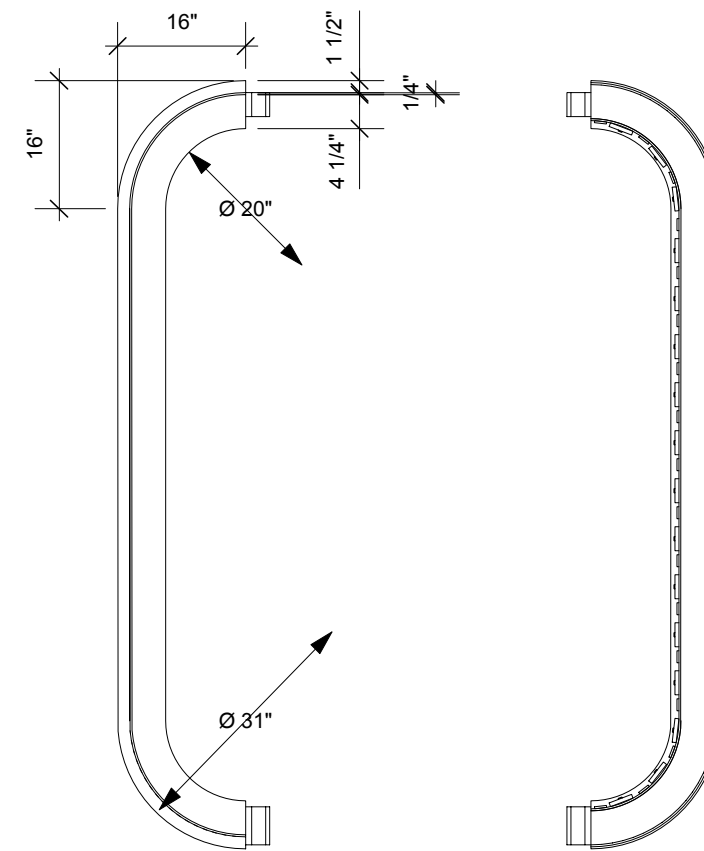
Typical Front Section Details



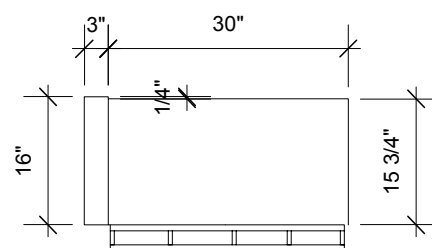
Plexiglas Insert



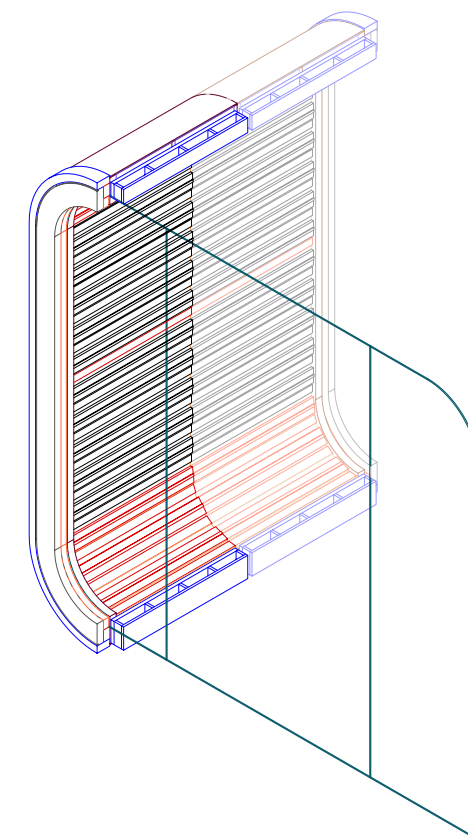
1 side
Scale: 1/2" = 1'-0"



2 front
Scale: 1/2" = 1'-0"



1 top
Scale: 1/2" = 1'-0"



ISSUED/REVISED		
No.	Date	Description

DRAWING TITLE

Scale

Issue Date

File Name

DRAWING No.

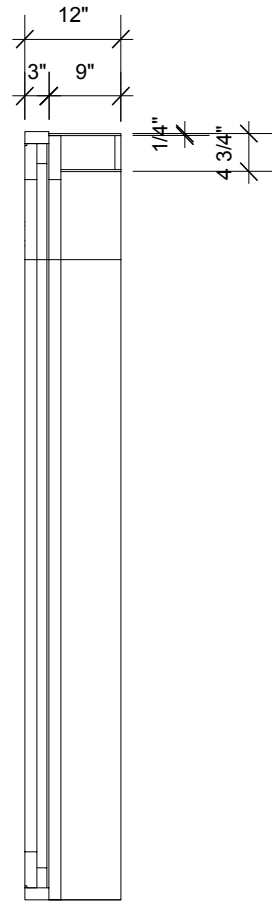
John Monaco Design

John Monaco
646-410-6487
johnmonacodesign@gmail.com
www.johnmonacodesign.com

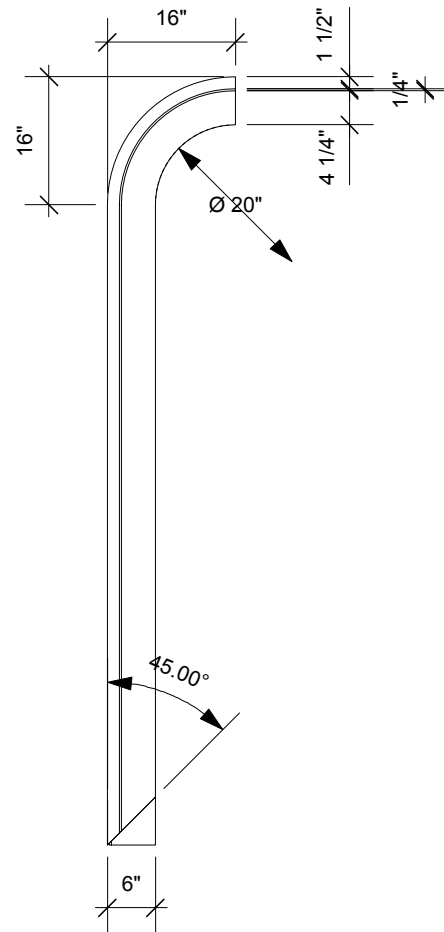
702 49th Street 3R
Brooklyn, NY
11220

opening date:

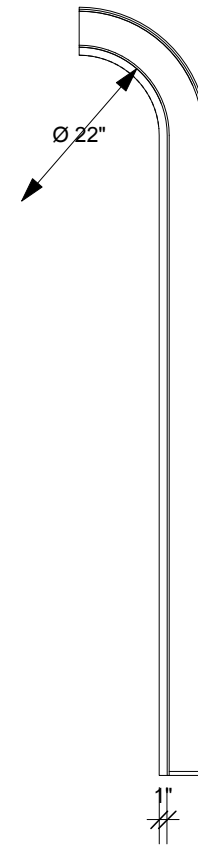
notes:



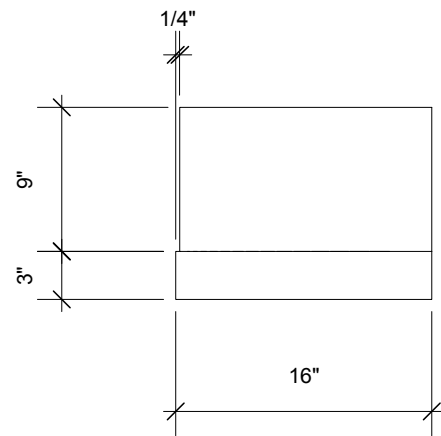
1 side
Scale: 1/2" = 1'-0"



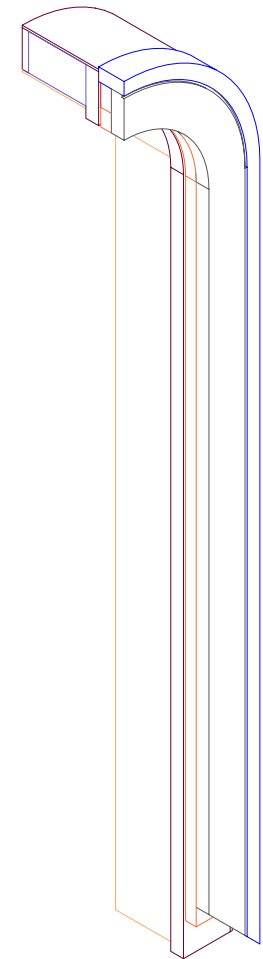
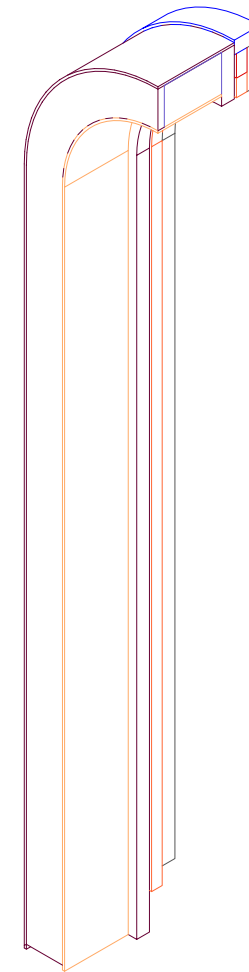
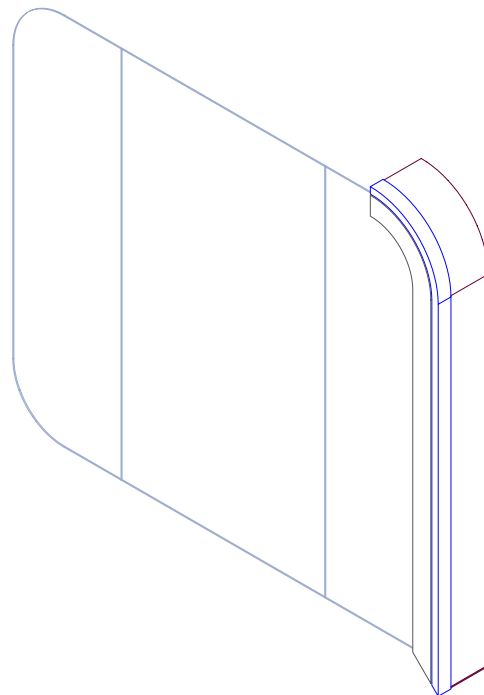
2 front
Scale: 1/2" = 1'-0"



3 back
Scale: 1/2" = 1'-0"



1 top
Scale: 1" = 1'-0"



ISSUED/REVISED		
No.	Date	Description

DRAWING TITLE

Scale

Issue Date

File Name

DRAWING No.

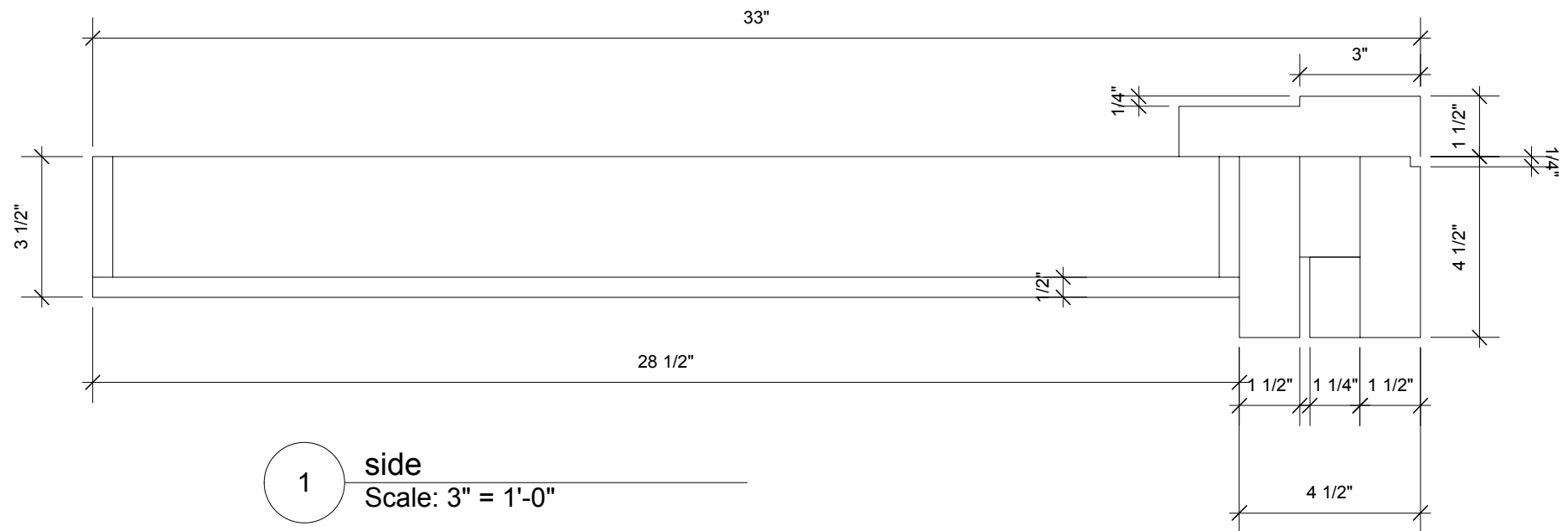
John Monaco Design

John Monaco
 646-410-6487
 johnmonacodesign@gmail.com
 www.johnmonacodesign.com

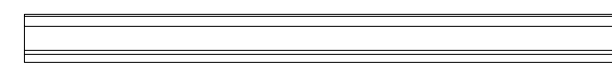
702 49th Street 3R
 Brooklyn, NY
 11220

opening date:

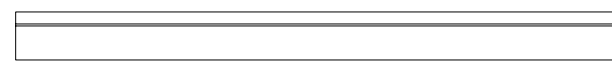
notes:



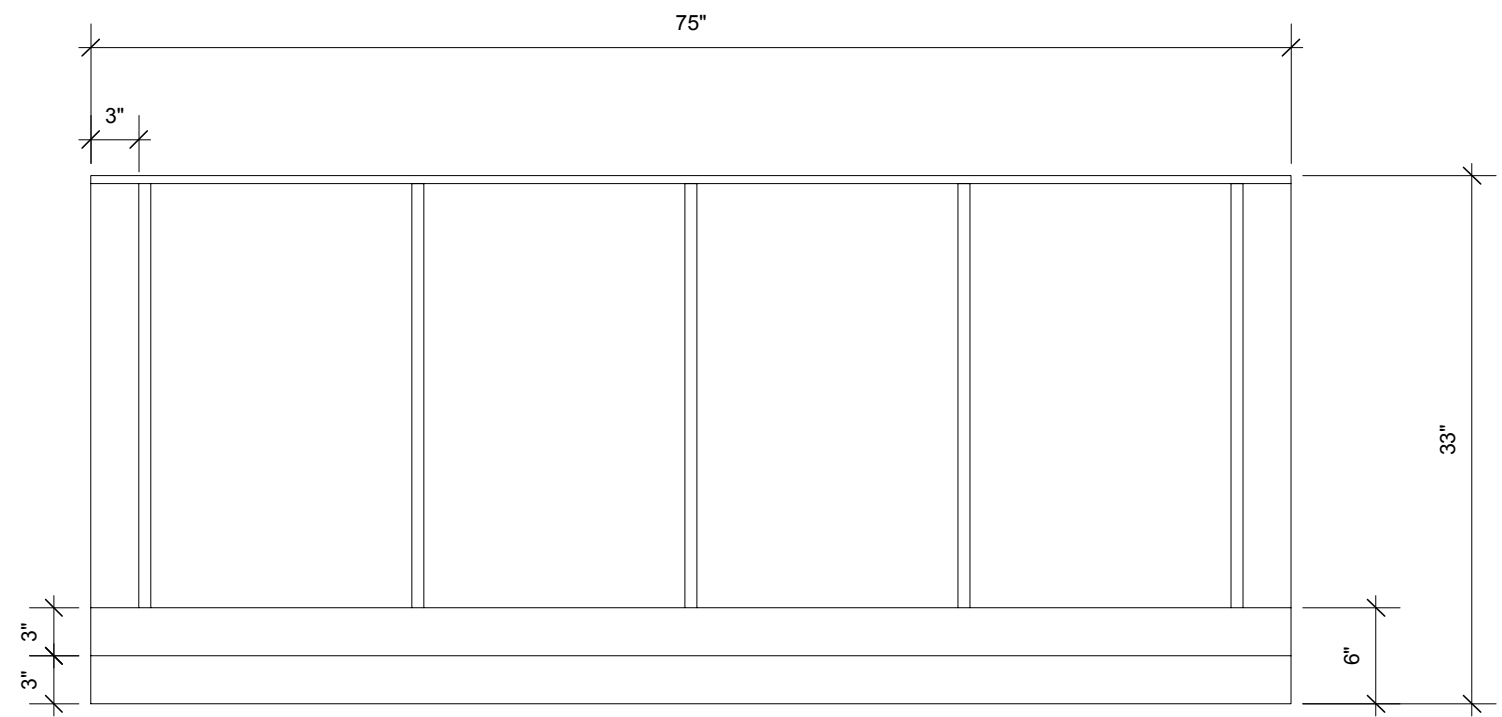
1 side
 Scale: 3" = 1'-0"



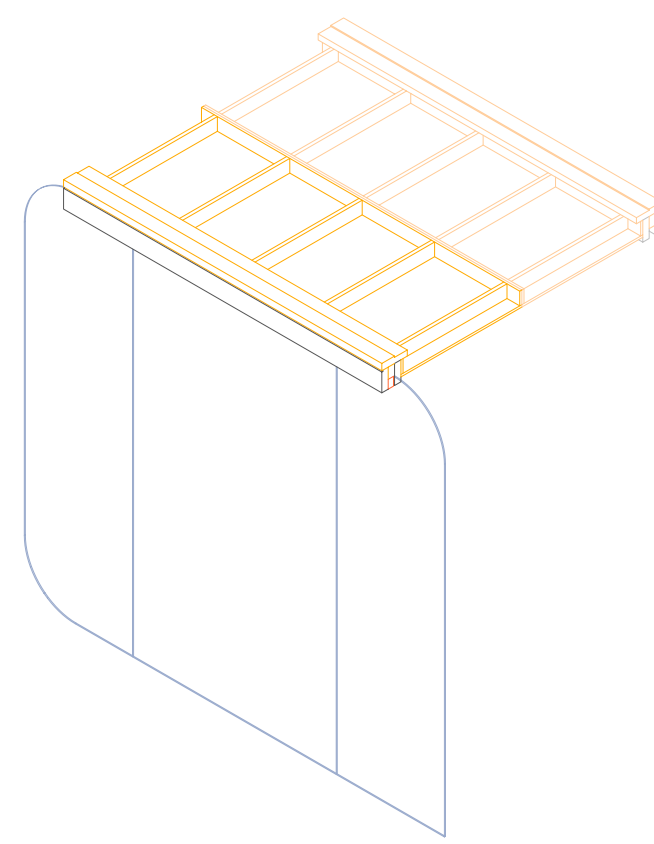
2 front
 Scale: 1/2" = 1'-0"



3 back
 Scale: 1/2" = 1'-0"



1 top
 Scale: 1" = 1'-0"



ISSUED/REVISED		
No.	Date	Description

DRAWING TITLE

Scale

Issue Date

File Name

DRAWING No.

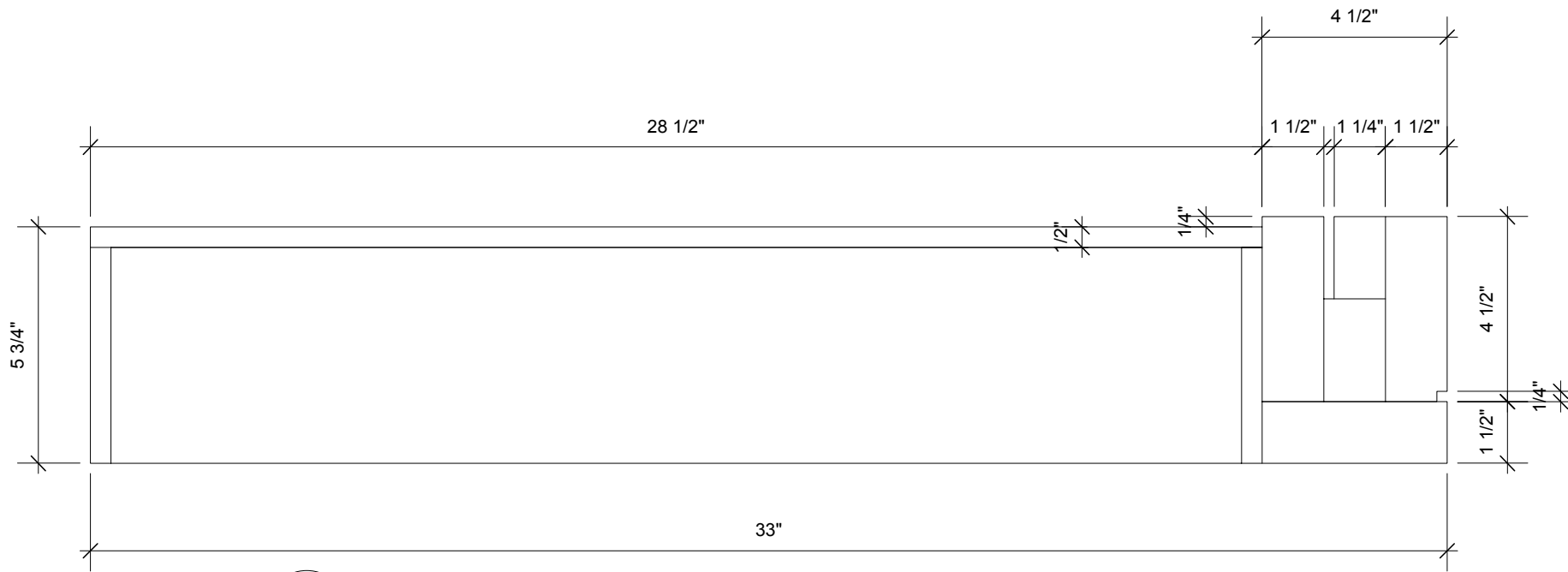
John Monaco Design

John Monaco
646-410-6487
johnmonacodesign@gmail.com
www.johnmonacodesign.com

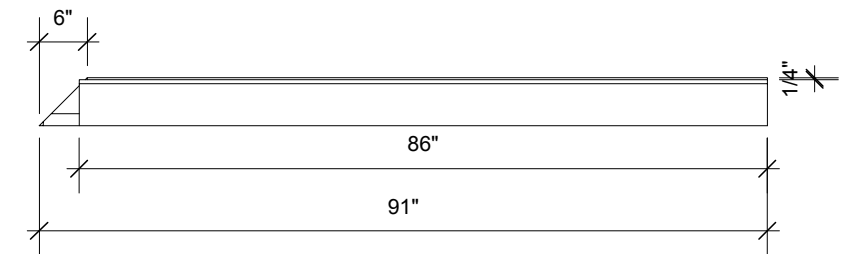
702 49th Street 3R
Brooklyn, NY
11220

opening date:

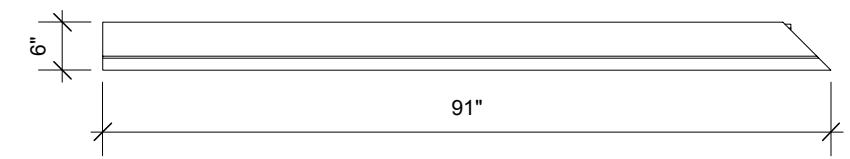
notes:



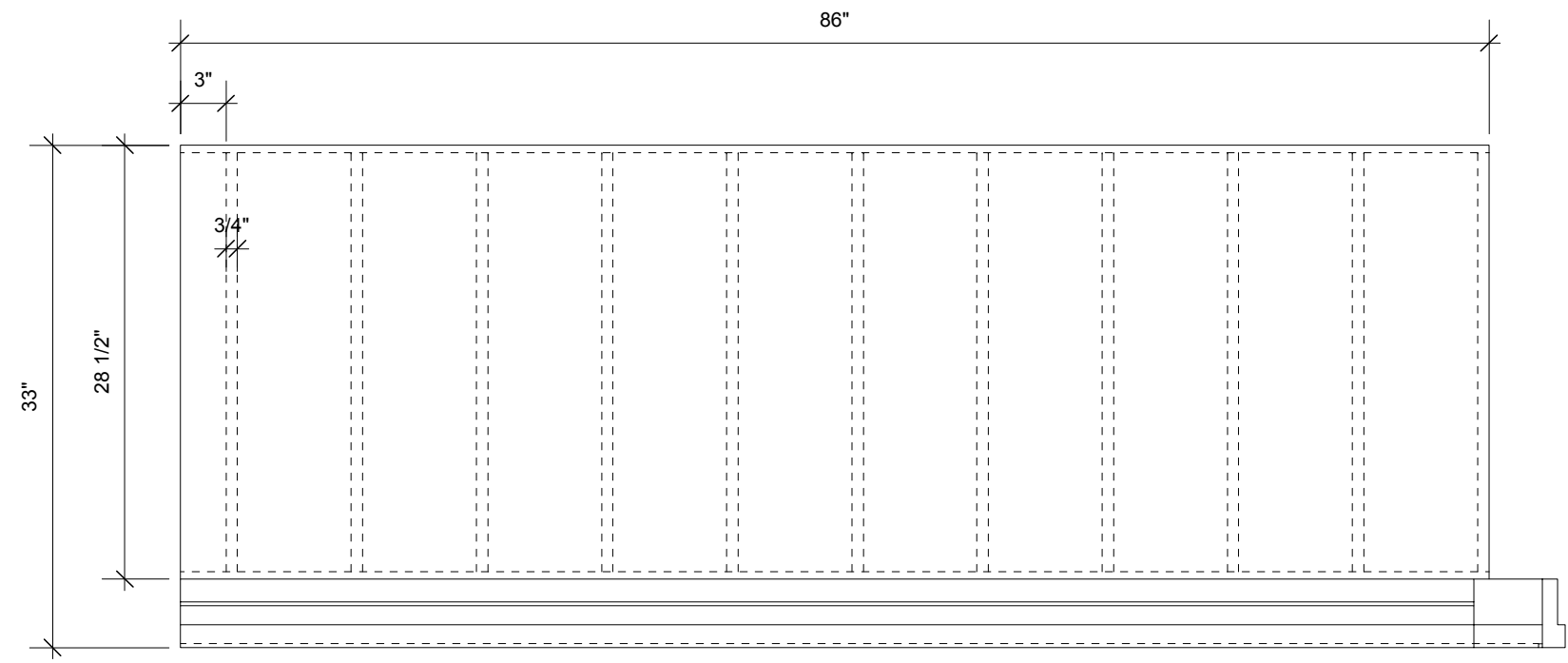
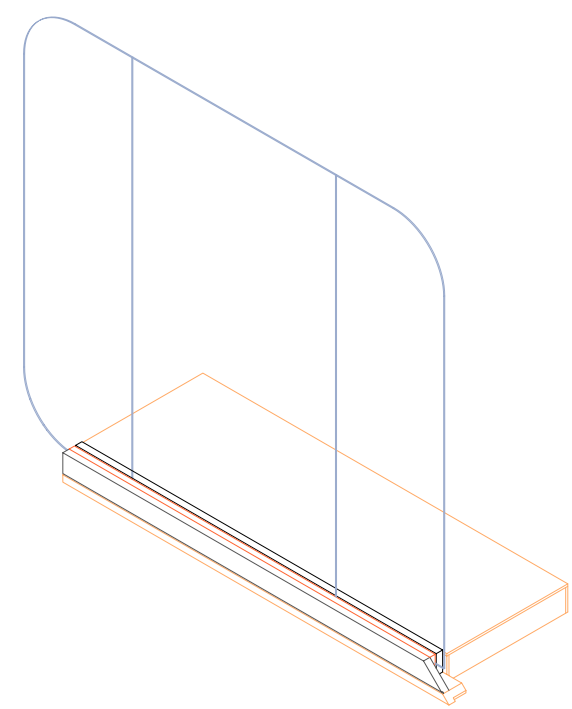
1 side
Scale: 3" = 1'-0"



2 back
Scale: 1/2" = 1'-0"



3 front
Scale: 1/2" = 1'-0"



1 top
Scale: 1" = 1'-0"

ISSUED/REVISED		
No.	Date	Descriptor

DRAWING TITLE

Scale

Issue Date

File Name

DRAWING No.

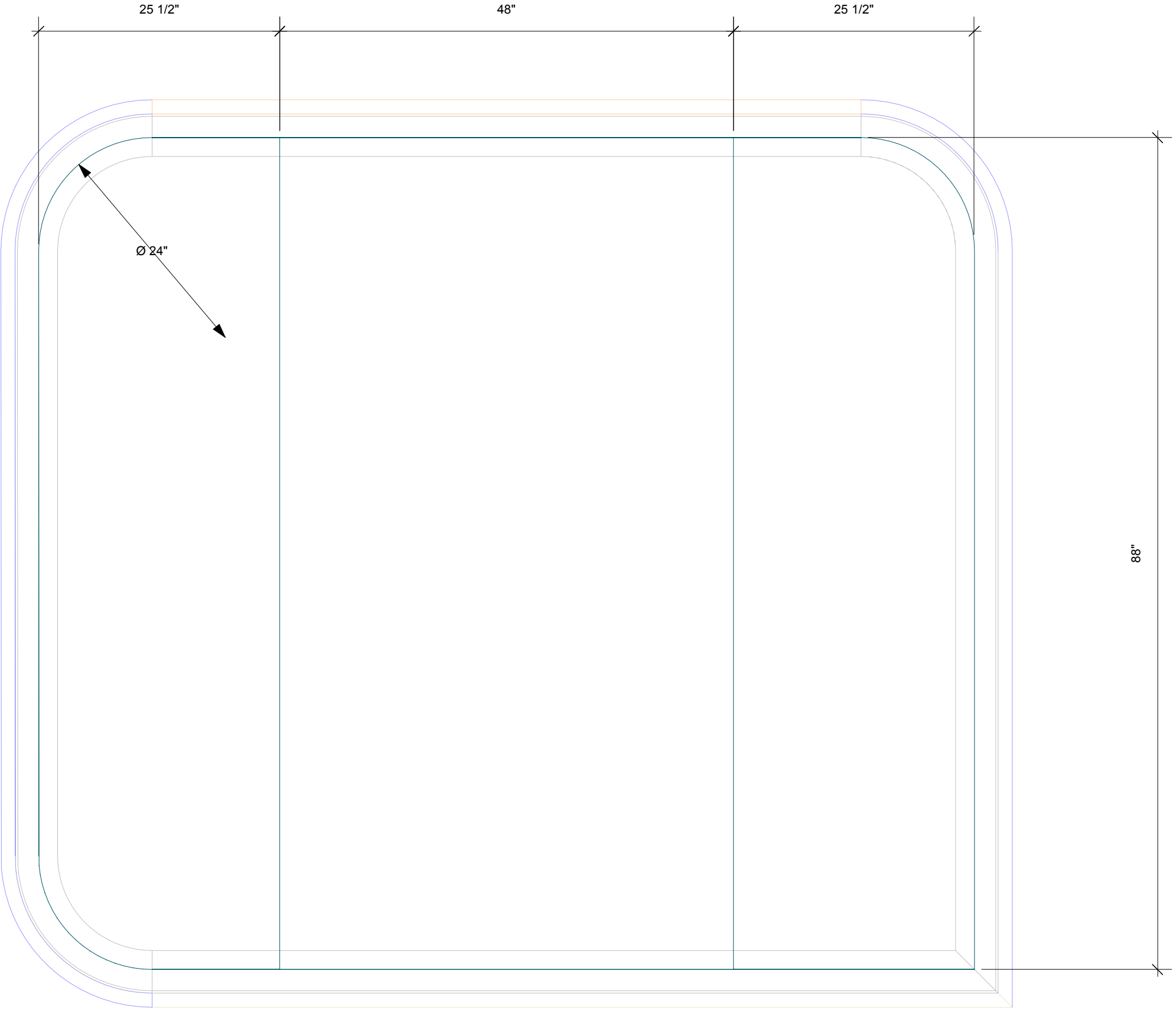
John Monaco Design

John Monaco
646-410-6487
johnmonacodesign@gmail.com
www.johnmonacodesign.com

702 49th Street 3R
Brooklyn, NY
11220

opening date:

notes:



ISSUED/REVISED		
No.	Date	Description

DRAWING TITLE

Scale

Issue Date

File Name

DRAWING No.

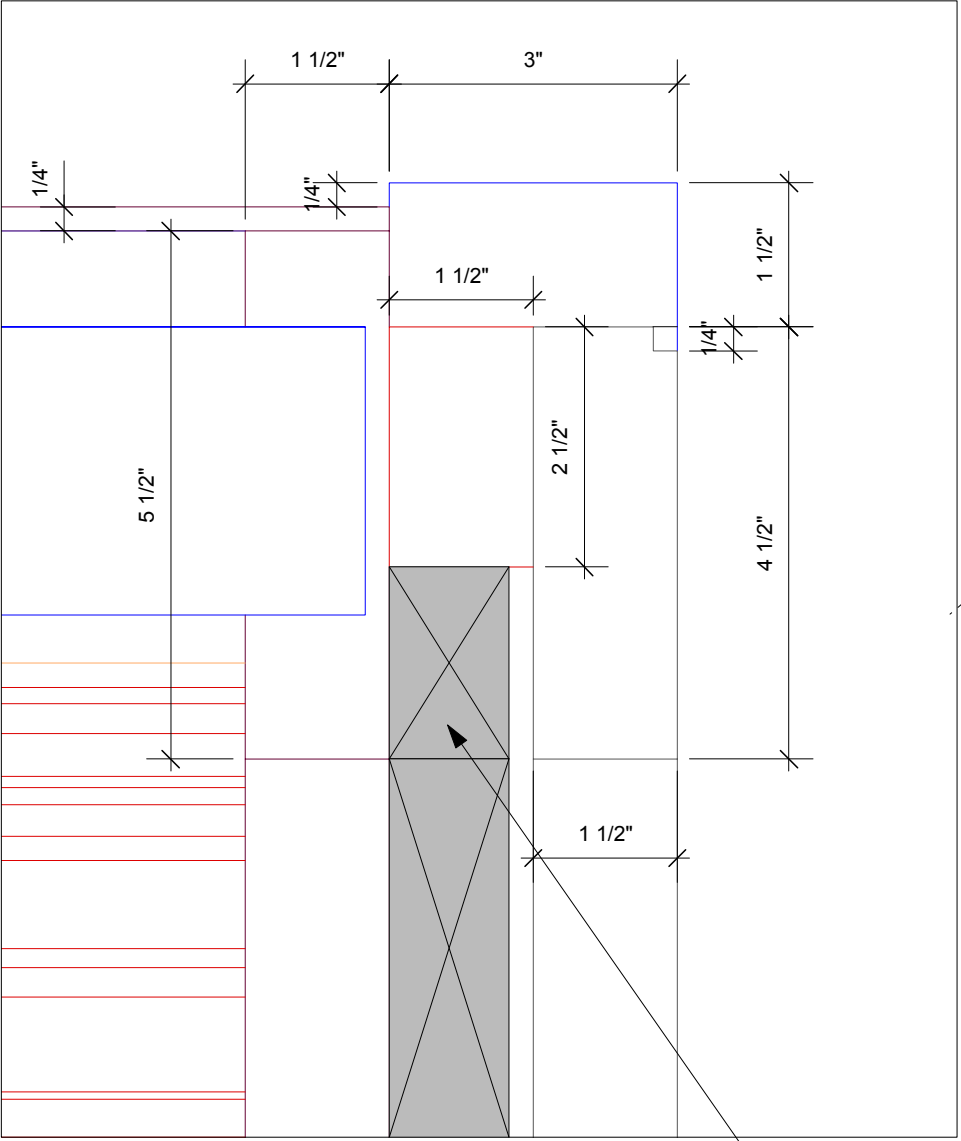
John Monaco Design

John Monaco
 646-410-6487
 johnmonacodesign@gmail.com
 www.johnmonacodesign.com

702 49th Street 3R
 Brooklyn, NY
 11220

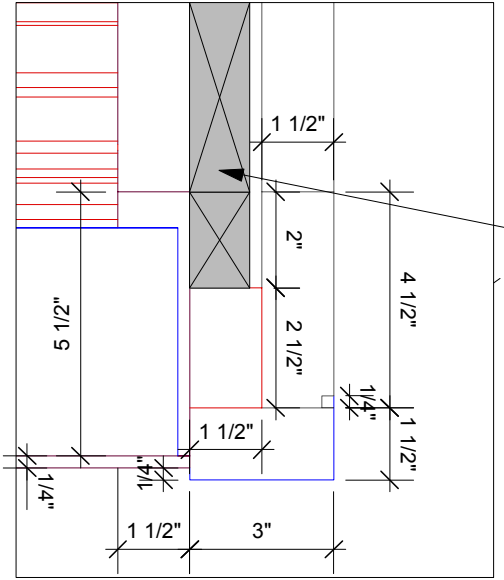
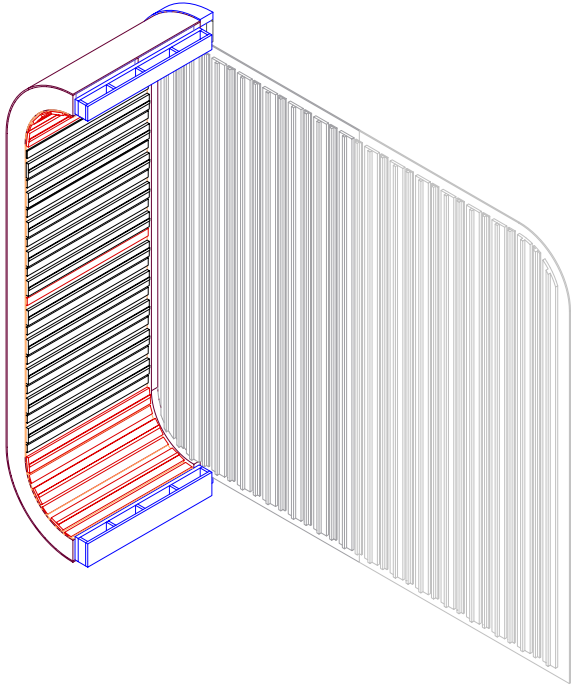
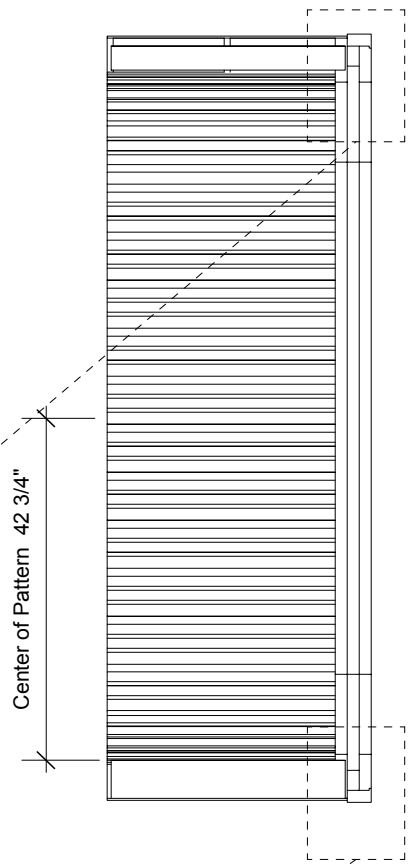
opening date:

notes:

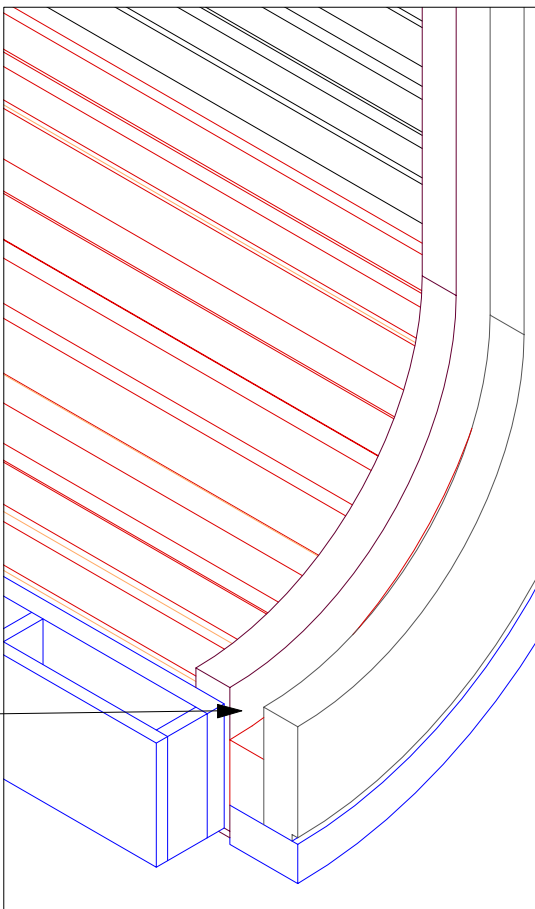
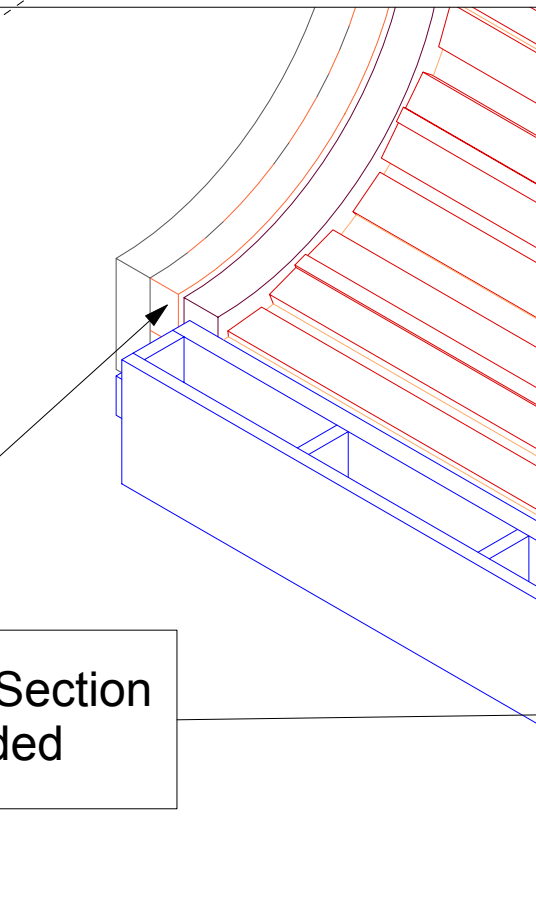


Typical Rear Section Details

1 side
 Scale: 1/2" = 1'-0"



Rear Section is identical to Front Section
 except Plexiglas insert is not needed



ISSUED/REVISED		
No.	Date	Description

DRAWING TITLE

Scale

Issue Date

File Name

DRAWING No.

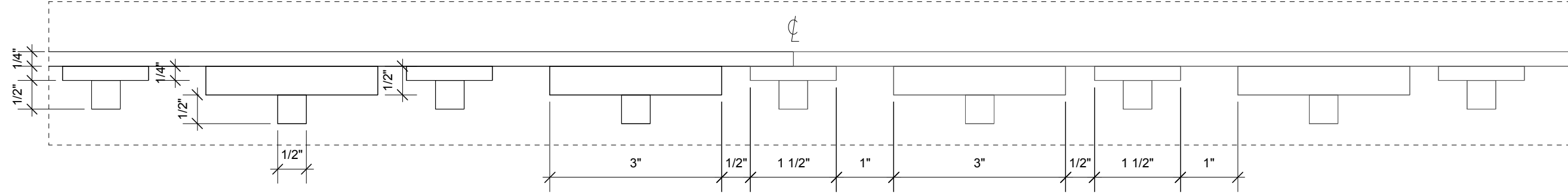
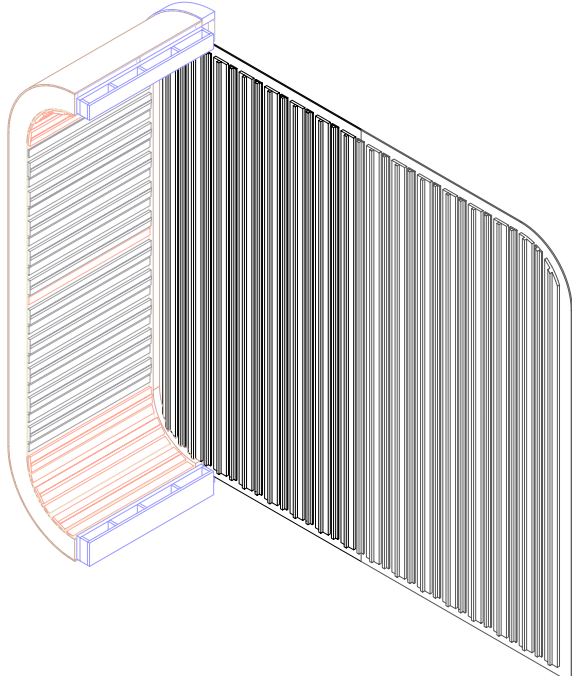
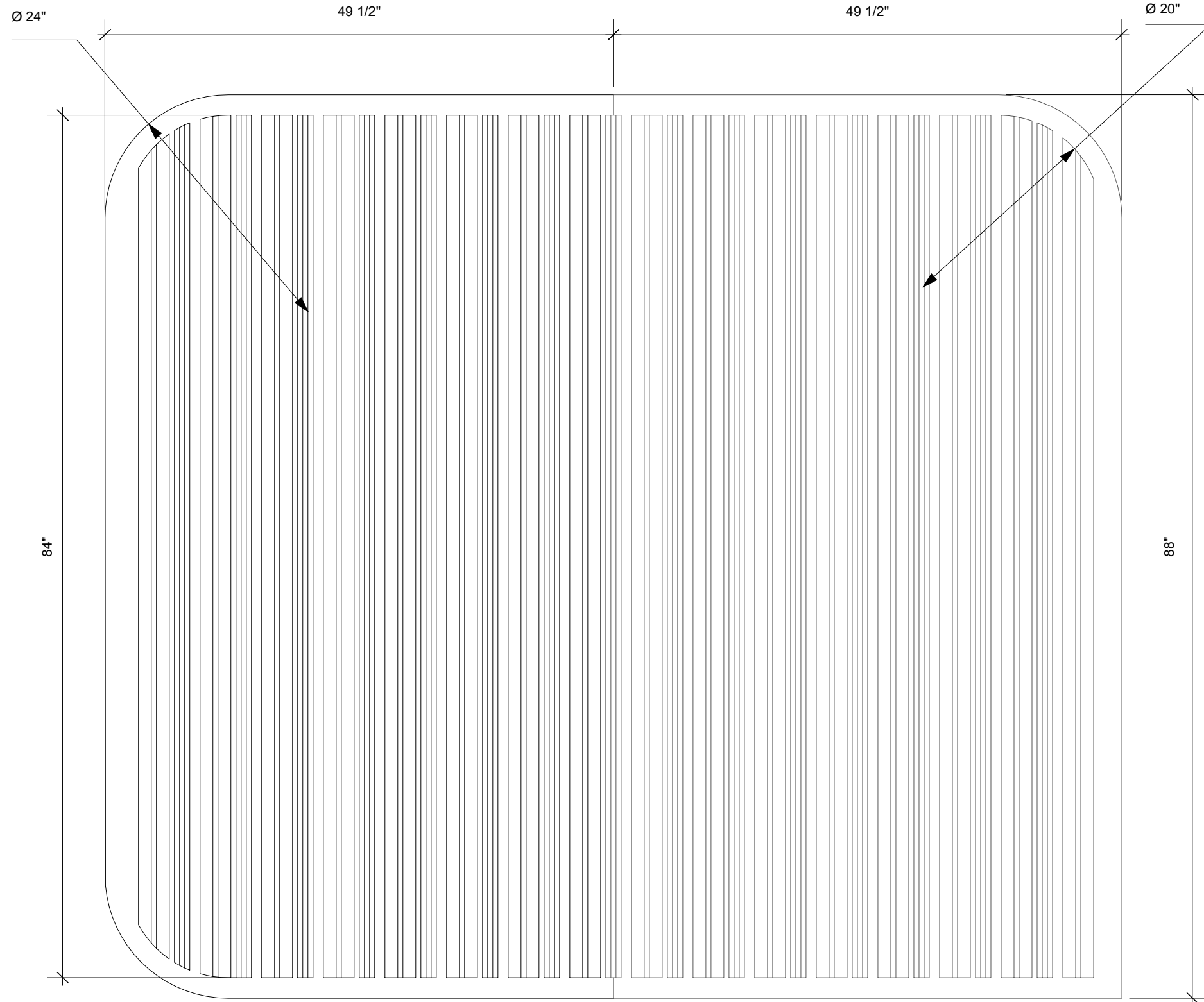
John Monaco Design

John Monaco
 646-410-6487
 johnmonacodesign@gmail.com
 www.johnmonacodesign.com

702 49th Street 3R
 Brooklyn, NY
 11220

opening date:

notes:



ISSUED/REVISED		
No.	Date	Description

DRAWING TITLE

Scale

Issue Date

File Name

DRAWING No.

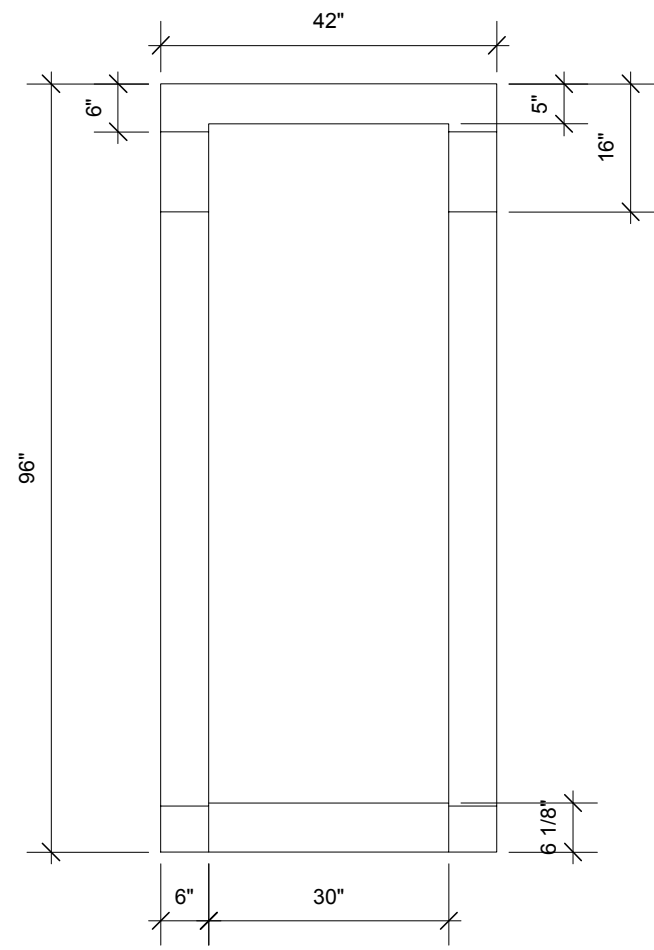
John Monaco Design

John Monaco
 646-410-6487
 johnmonacodesign@gmail.com
 www.johnmonacodesign.com

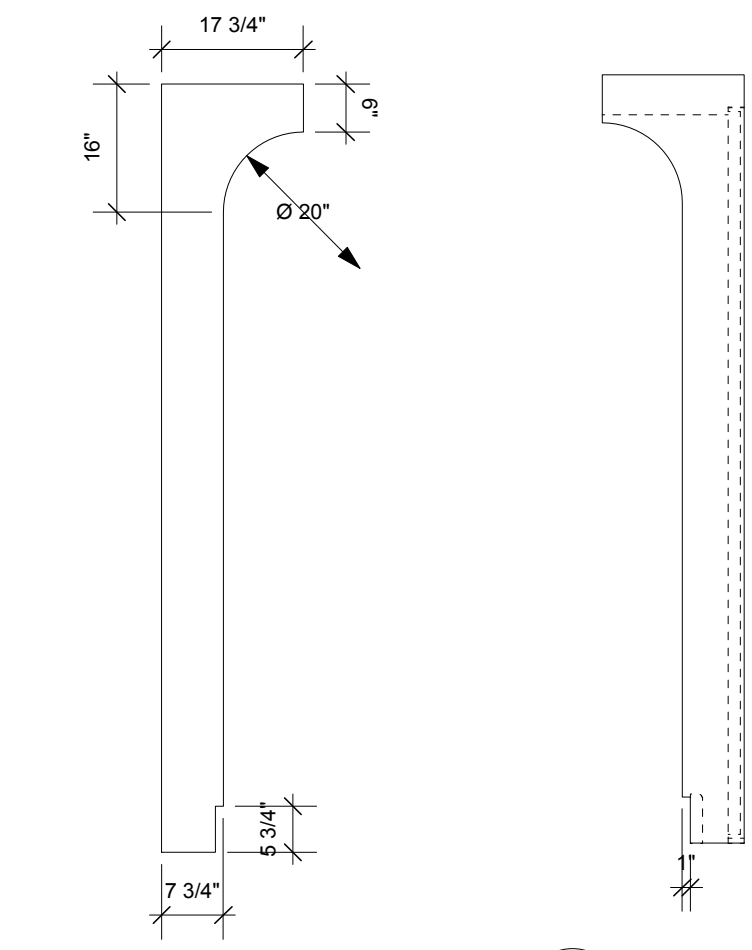
702 49th Street 3R
 Brooklyn, NY
 11220

opening date:

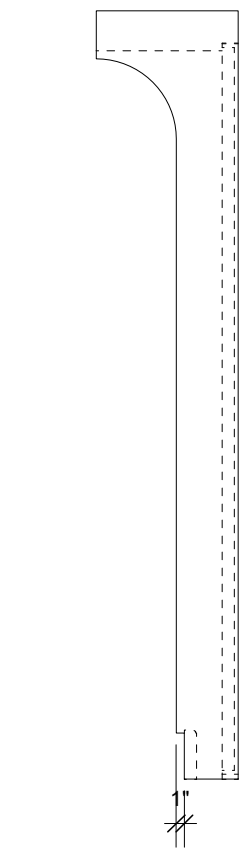
notes:



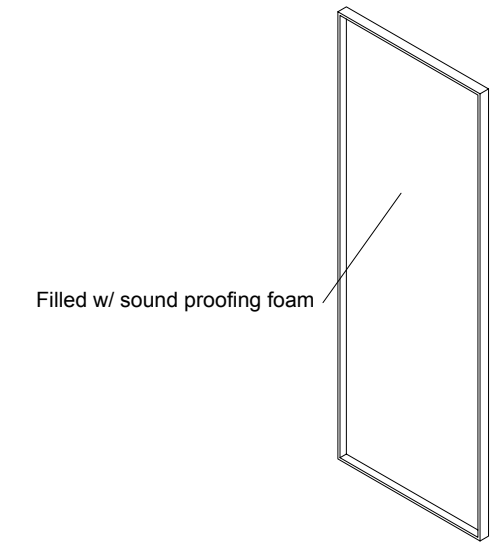
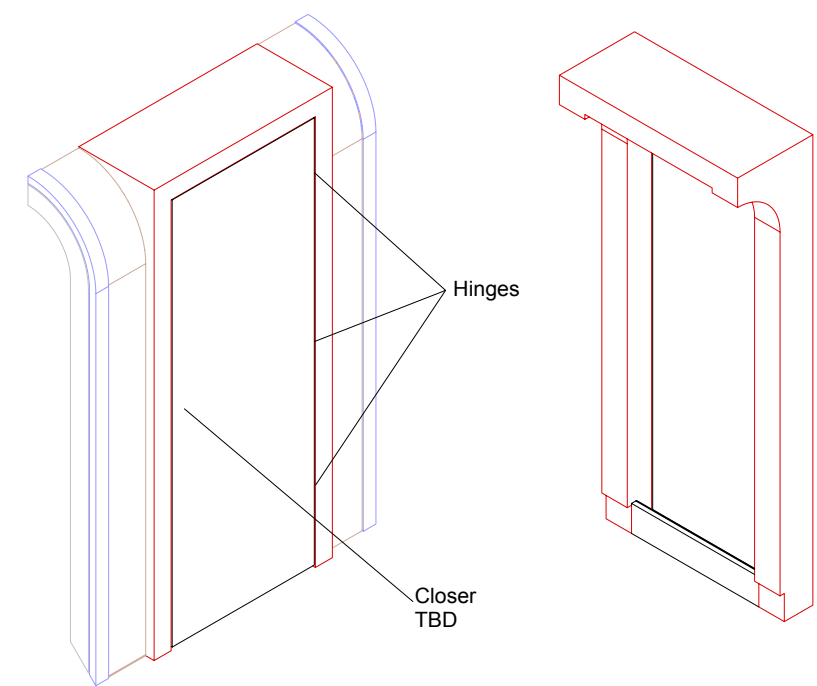
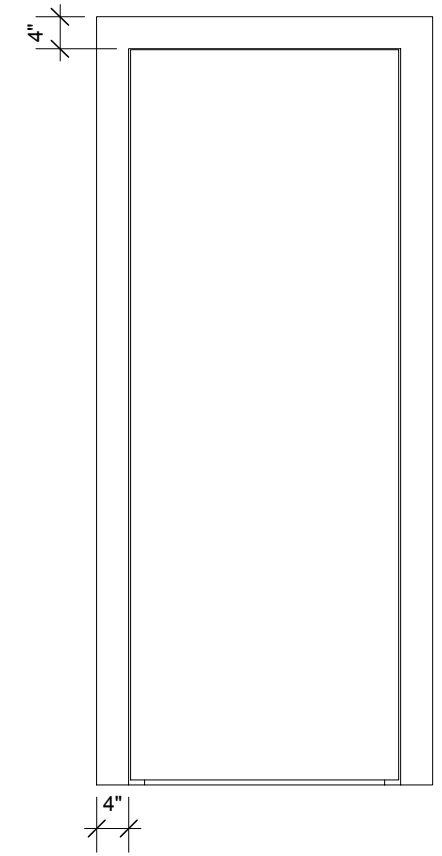
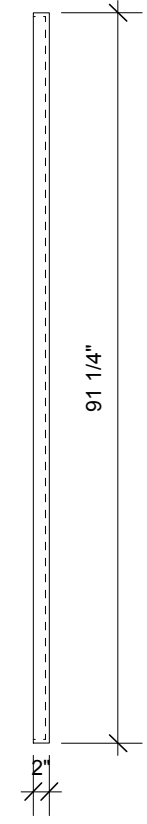
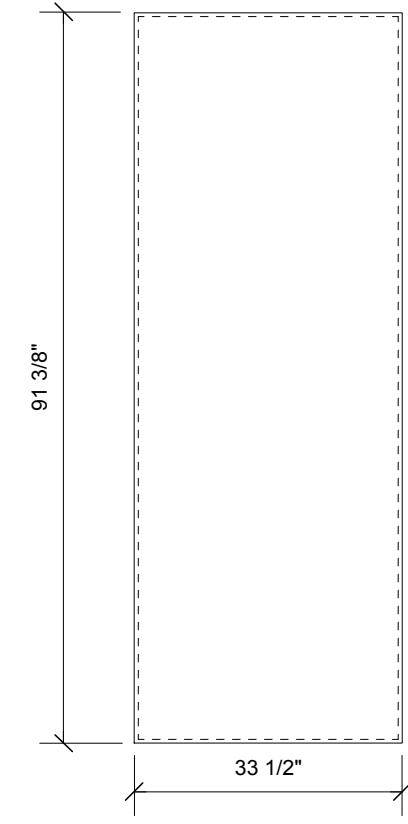
1 front
 Scale: 1/2" = 1'-0"



2 side
 Scale: 1/2" = 1'-0"



3 side
 Scale: 1/2" = 1'-0"



ISSUED/REVISED		
No.	Date	Description

DRAWING TITLE

Scale

Issue Date

File Name

DRAWING No.