

THE  
RUBIN  
MUSEUM  
OF  
ART

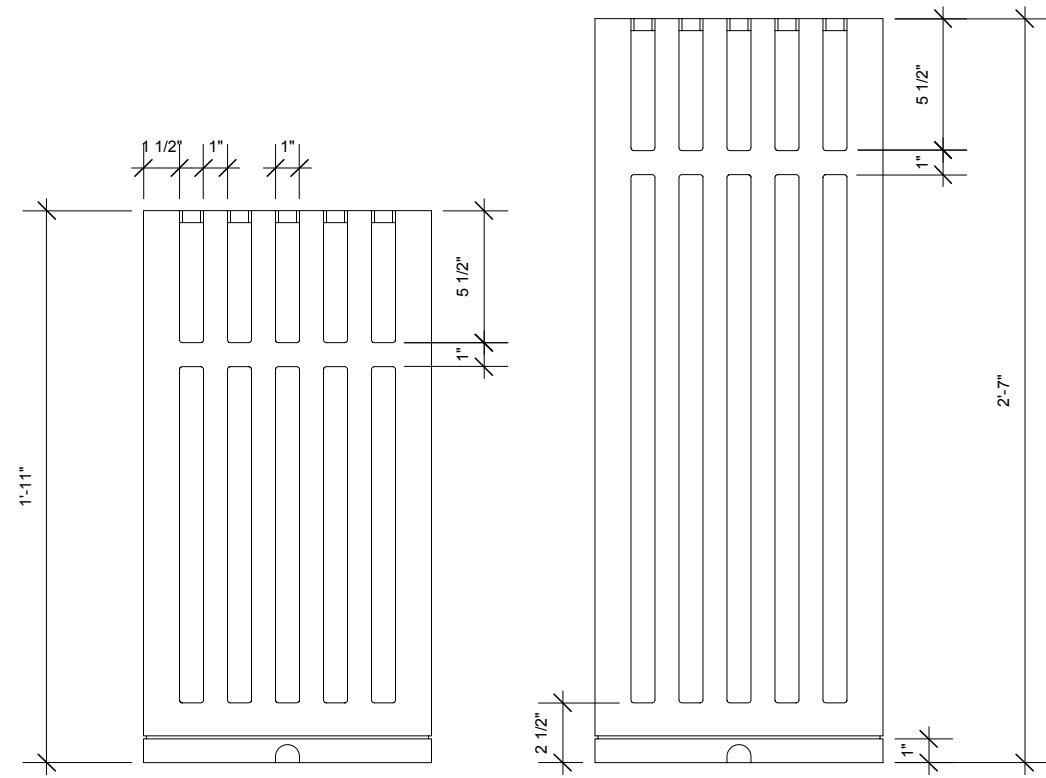
John Monaco  
212-620-5000 ext. 353

opening date:

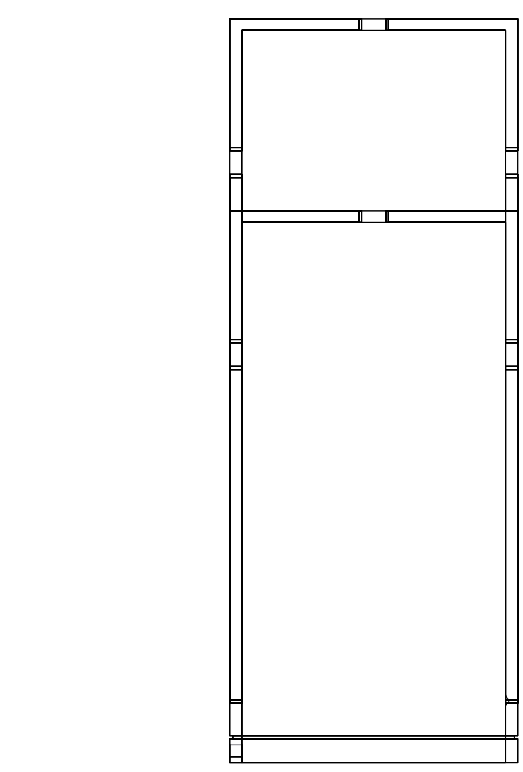
notes:

4 Units of each size needed

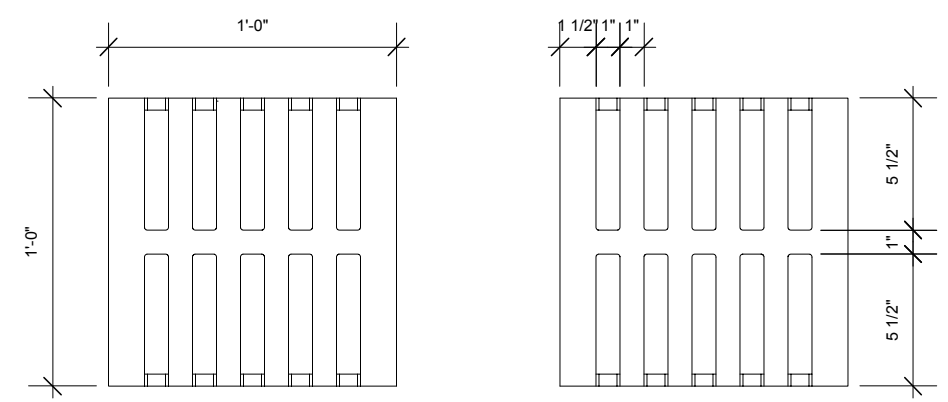
paint=AC-34



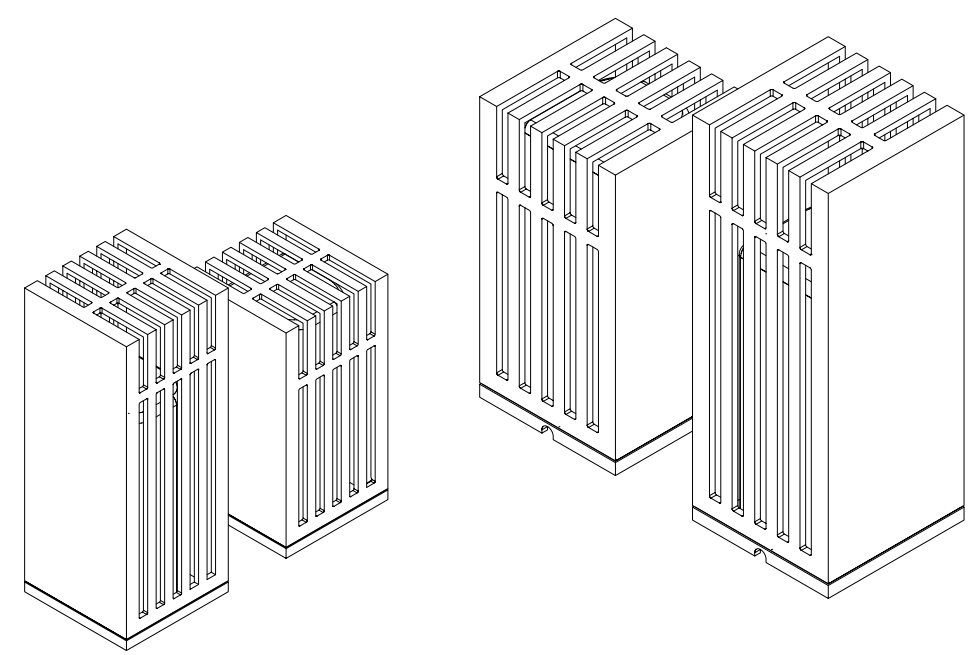
1 front  
Scale: 1 1/2" = 1'-0"



2 side  
Scale: 1 1/2" = 1'-0"



3 top/plan  
Scale: 1 1/2" = 1'-0"



ISSUED/REVISED		
No.	Date	Description

4/05/17

DRAWING TITLE  
Speaker Box

Scale

Issue Date

File Name

DRAWING  
No.