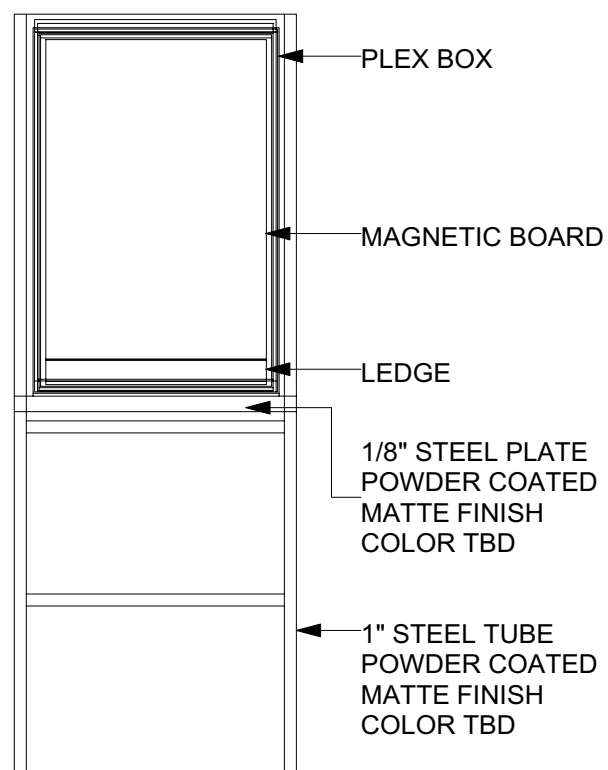


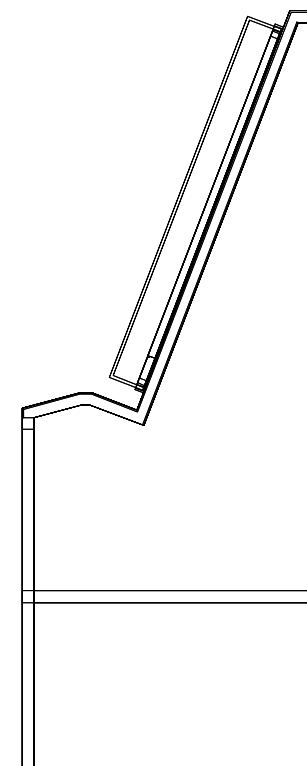
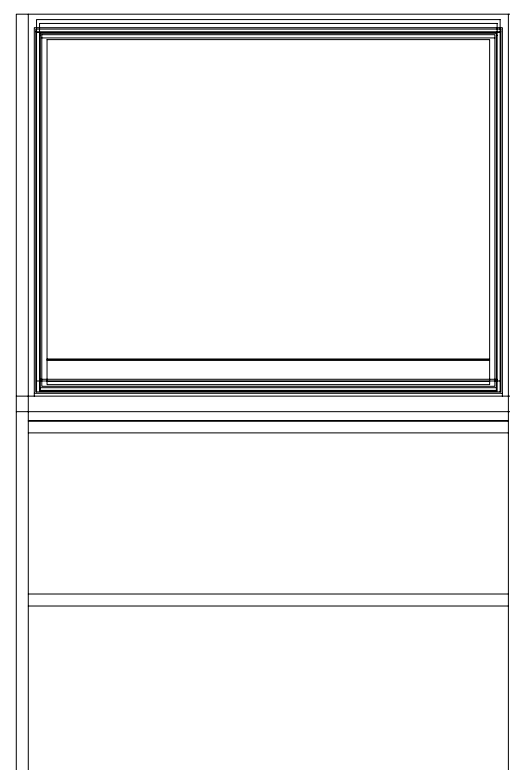
opening date:

notes:

SIZE A - 2 UNITS REQUIRED



SIZE B - 1 UNIT REQUIRED



FREESTANDING CASE
SIZE A & SIZE B
OVERALL VIEW

1A FRONT - SIZE A
Scale: 3/4" = 1'-0"

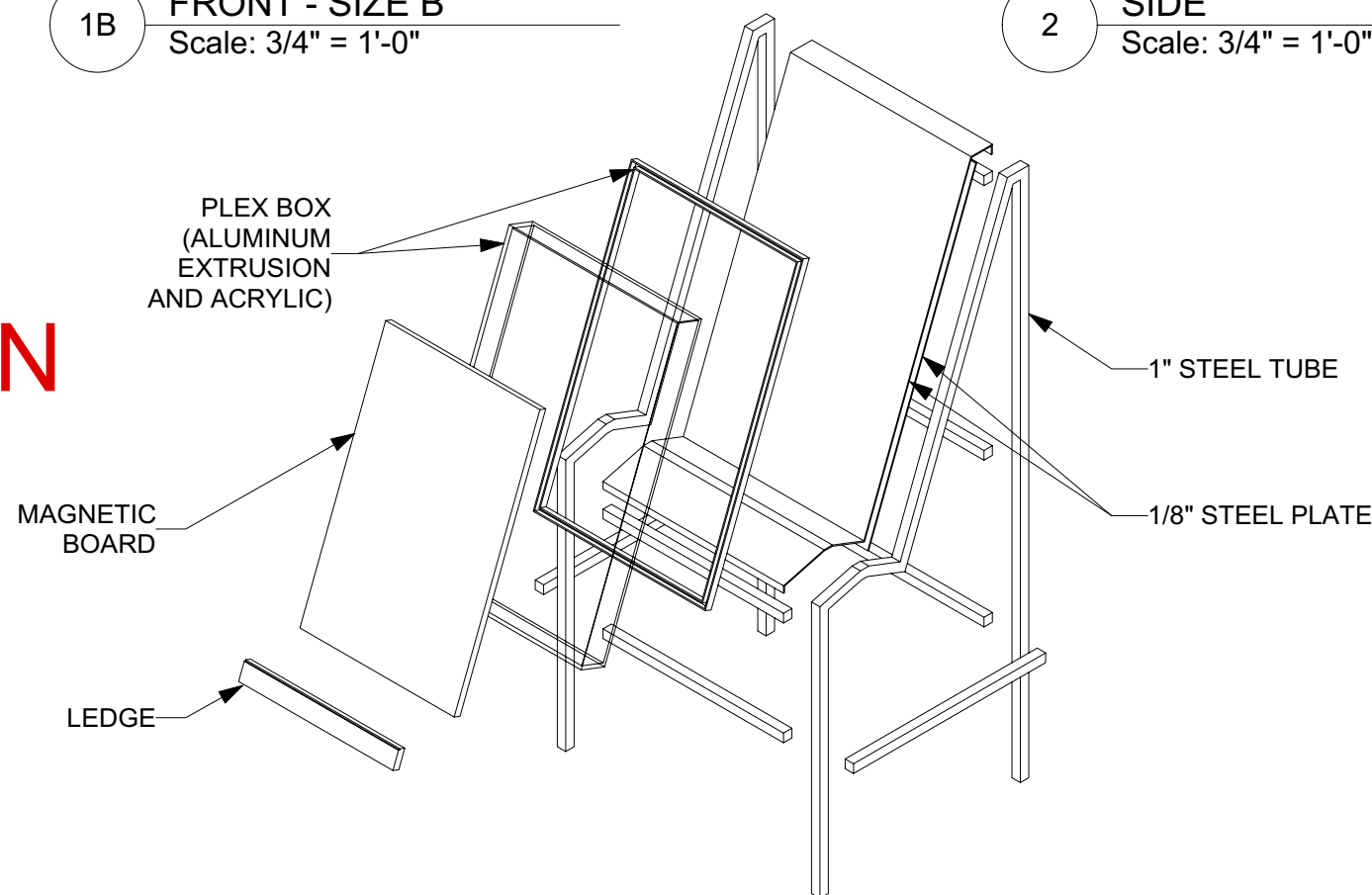
1B FRONT - SIZE B
Scale: 3/4" = 1'-0"

2 SIDE
Scale: 3/4" = 1'-0"

QUANTITY
SIZE A: 2 UNITS
SIZE B: 1 UNIT
(SEE PARTS ON
FOLLOWING PAGES)

NOT FOR
CONSTRUCTION

FOR QUOTE
ONLY



ISSUED/REVISED		
No.	Date	Description
	11-18-16	

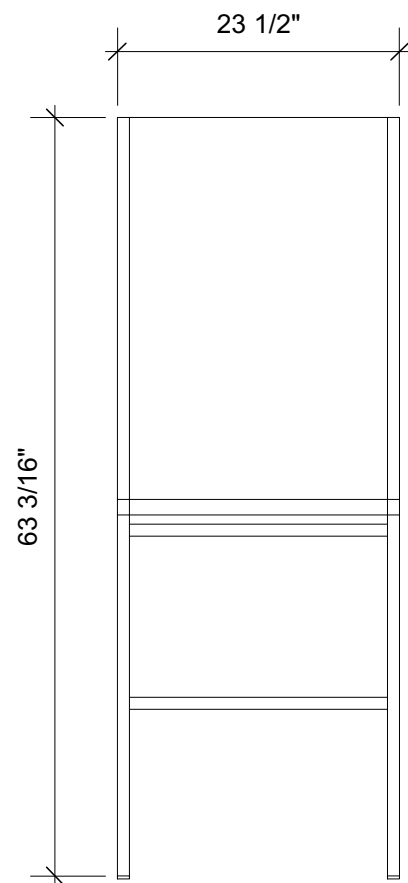
DRAWING TITLE
WHITE BERYL
INSTALLATION

Scale

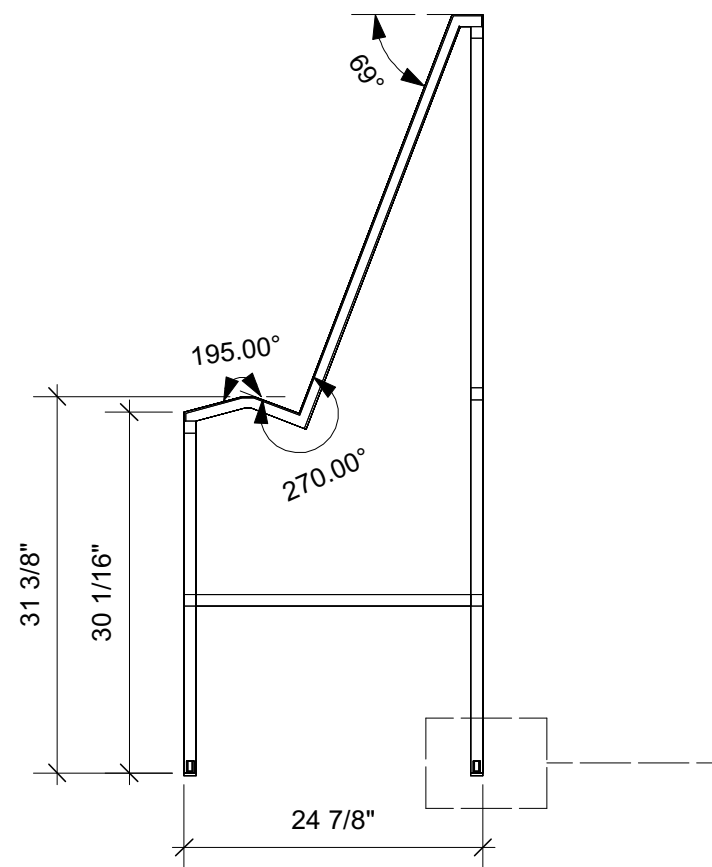
Issue Date

File Name

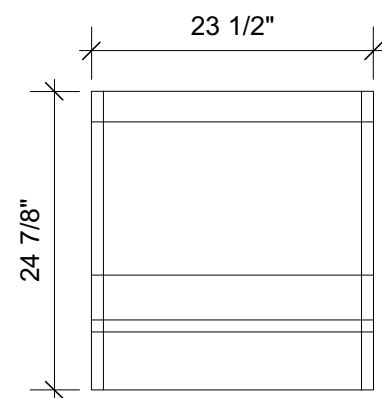
DRAWING
No.



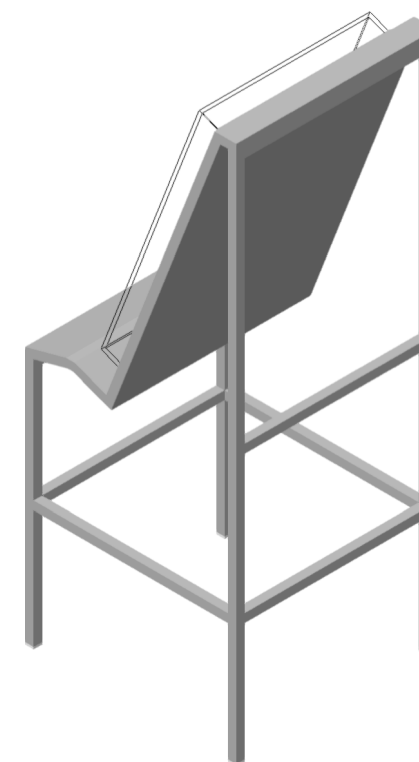
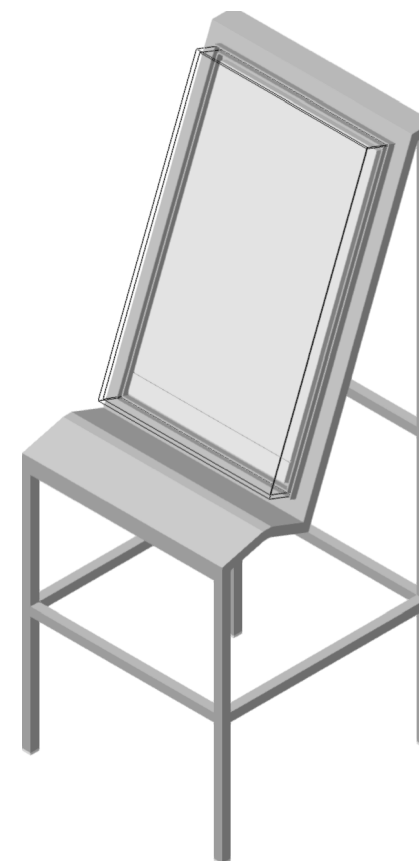
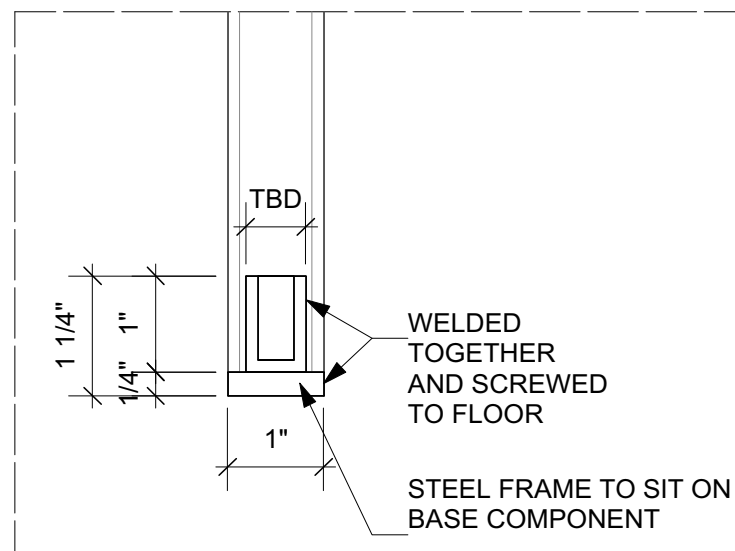
1 FRONT
Scale: 3/4" = 1'-0"



2 SIDE
Scale: 3/4" = 1'-0"



3 TOP/PLAN
Scale: 3/4" = 1'-0"



FREESTANDING CASE
SIZE A

FRAME OVERALL

FRAME TO BE
POWDER COATED
MATTE FINISH
COLOR TBD

QUANTITY: 2 UNITS

ISSUED/REVISED		
No.	Date	Description
	11-18-16	

DRAWING TITLE
**WHITE BERYL
INSTALLATION**

Scale

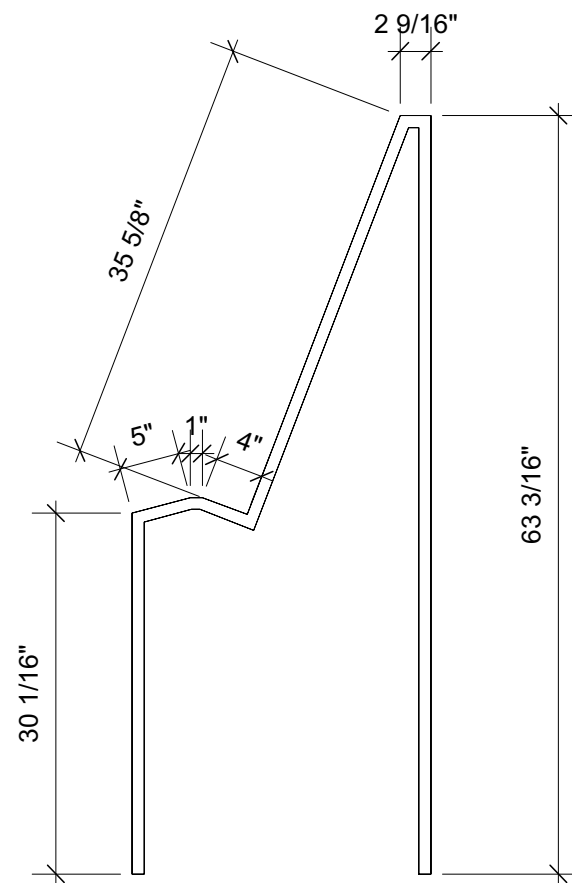
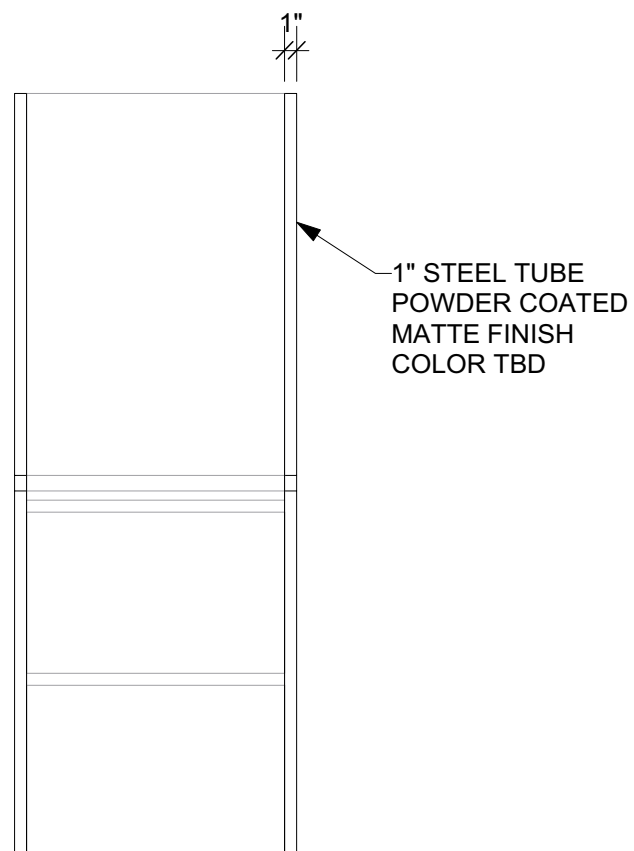
Issue Date

File Name

DRAWING
No.

opening date:

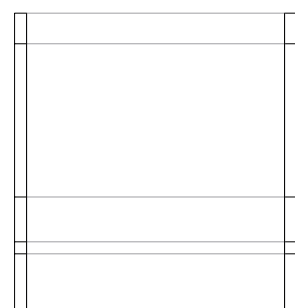
notes:



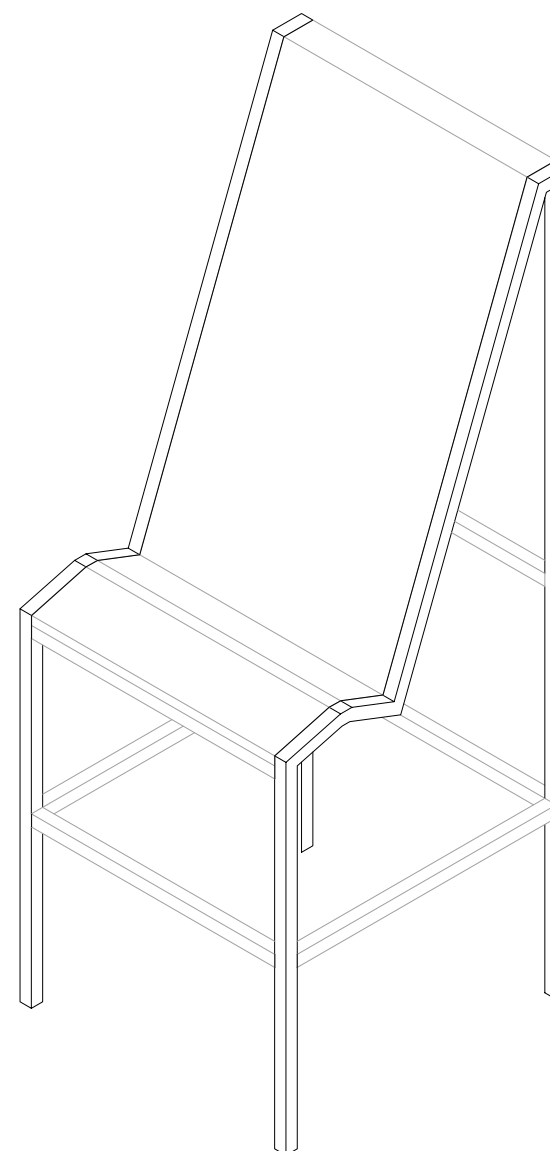
FREESTANDING CASE
SIZE A
FRAME SIDES

1 FRONT
Scale: 3/4" = 1'-0"

2 SIDE
Scale: 3/4" = 1'-0"



3 TOP/PLAN
Scale: 3/4" = 1'-0"



ISSUED/REVISED		
No.	Date	Description
	11-18-16	

DRAWING TITLE
**WHITE BERYL
INSTALLATION**

Scale

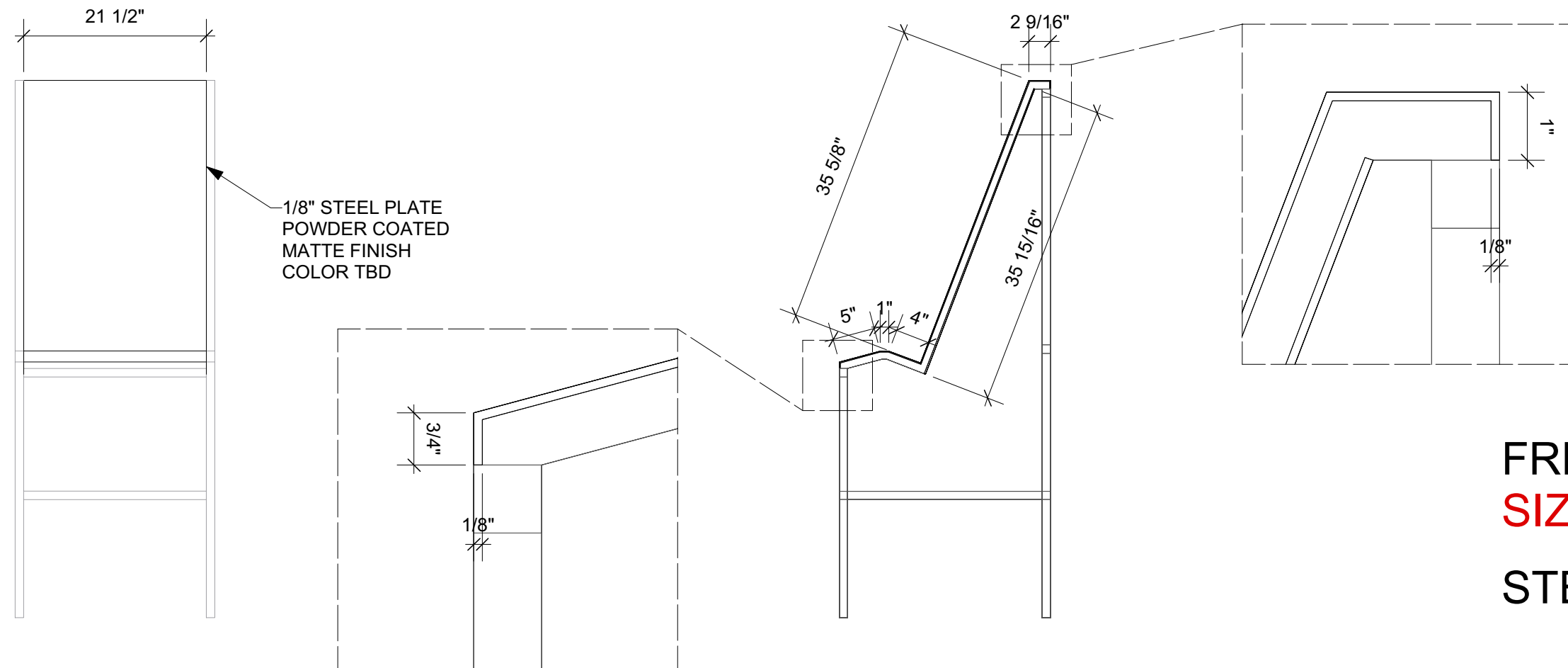
Issue Date

File Name

DRAWING
No.

opening date:

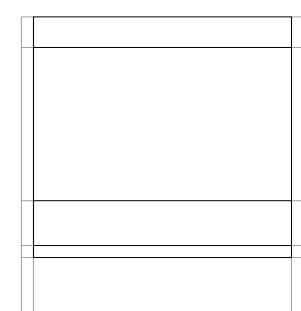
notes:



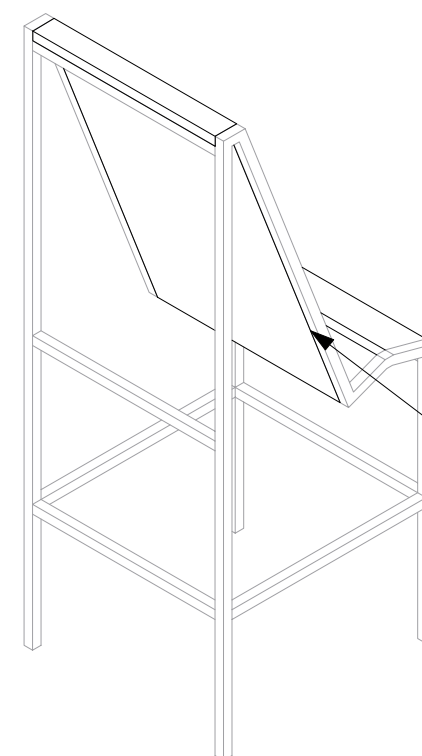
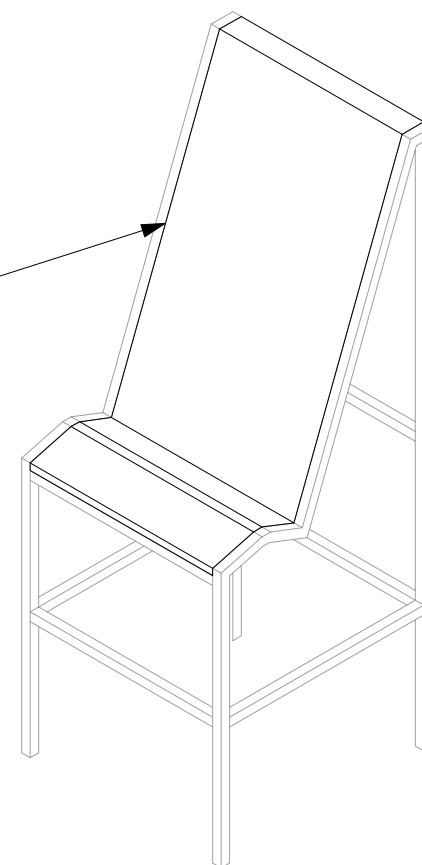
FREESTANDING CASE
SIZE A
STEEL PLATE

1 FRONT
Scale: 3/4" = 1'-0"

FRONT STEEL PLATE TO BE WELDED
BETWEEN THE TWO FRAME SIDES
AND SANDED AND FINISHED



3 TOP/PLAN
Scale: 3/4" = 1'-0"

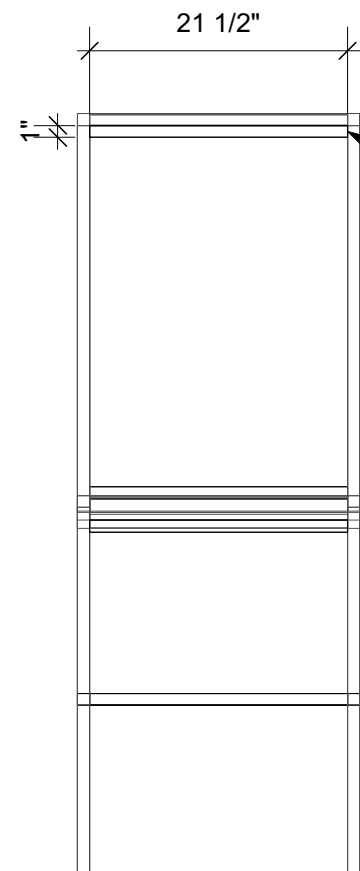


BACK STEEL PLATE TO BE WELDED
BETWEEN THE TWO FRAME SIDES
AND SANDED AND FINISHED

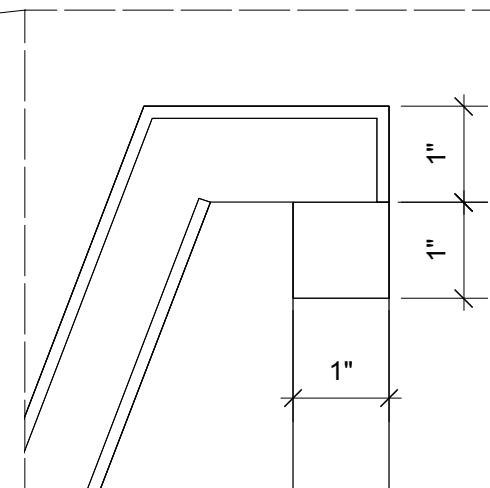
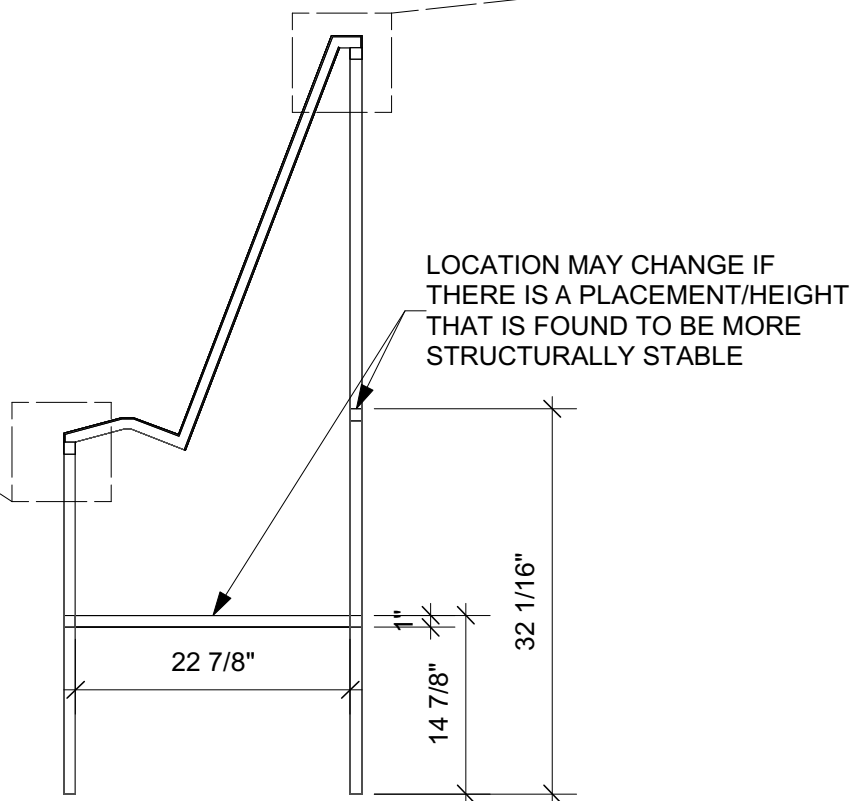
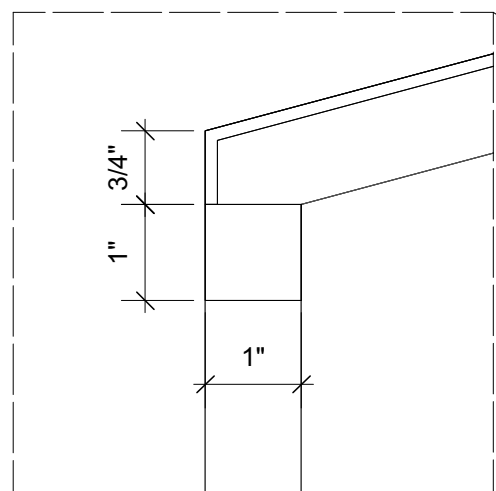
ISSUED/REVISED		
No.	Date	Description
	11-18-16	

DRAWING TITLE
**WHITE BERYL
INSTALLATION**

Scale
Issue Date
File Name

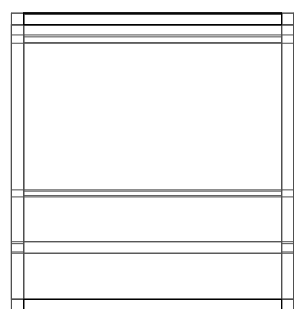


1" STEEL TUBE
POWDER COATED
MATTE FINISH
COLOR TBD

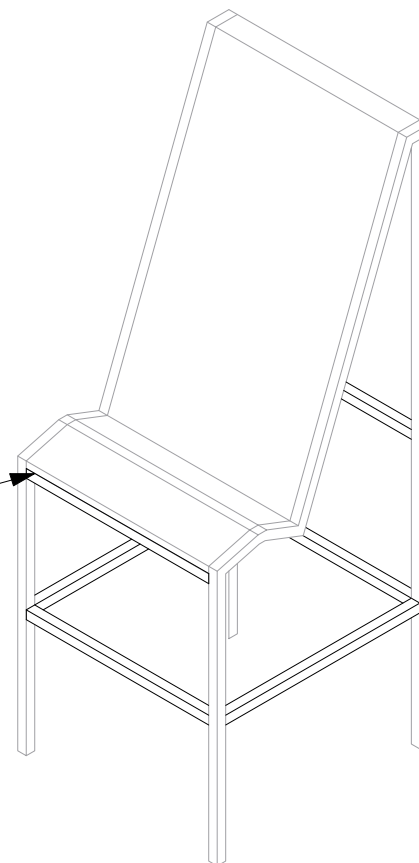


FREESTANDING CASE
SIZE A
SUPPORT

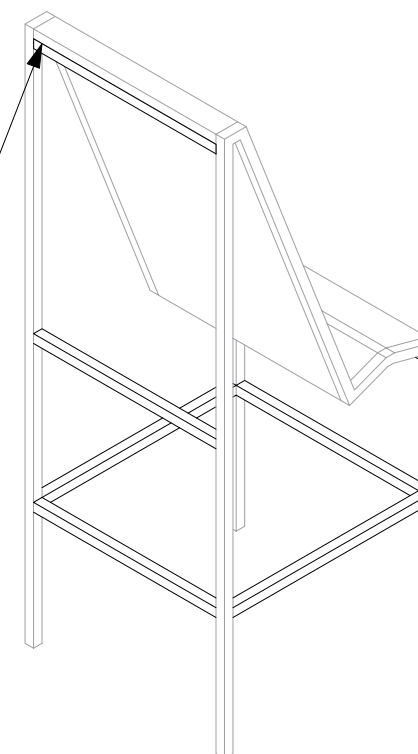
1 FRONT
Scale: 3/4" = 1'-0"



1" STEEL TUBE TO BE WELDED
TO 1/8" STEEL PLATE AND
SANDED AND FINISHED



1" STEEL TUBE TO BE WELDED
TO 1/8" STEEL PLATE AND
SANDED AND FINISHED



3 TOP/PLAN
Scale: 3/4" = 1'-0"

ISSUED/REVISED		
No.	Date	Description
	11-18-16	

DRAWING TITLE
**WHITE BERYL
INSTALLATION**

Scale

Issue Date

File Name

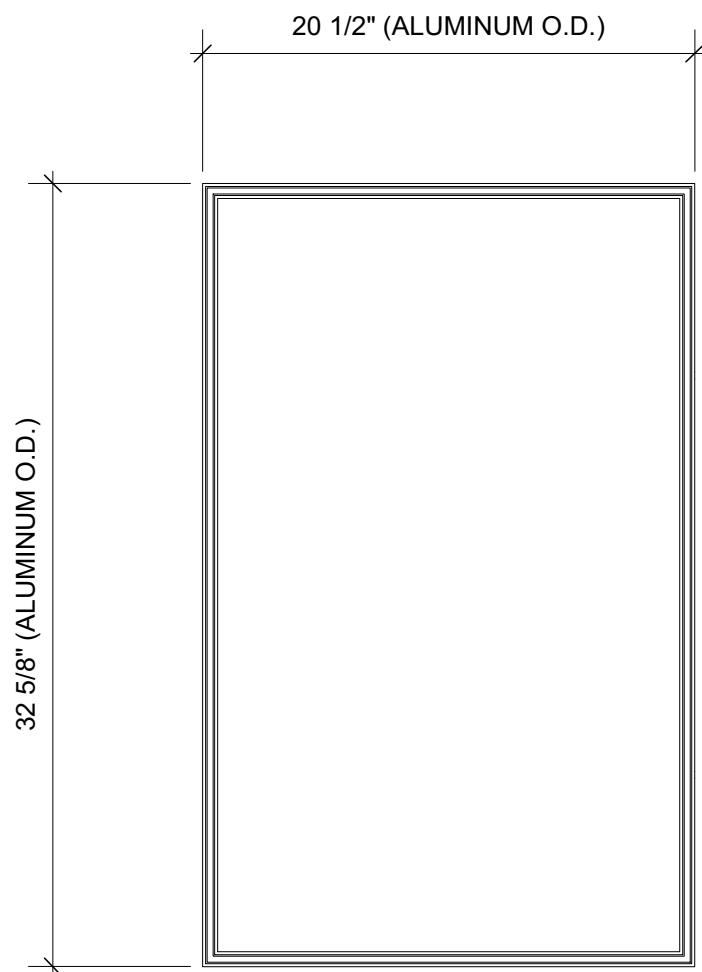
DRAWING
No.

opening date:

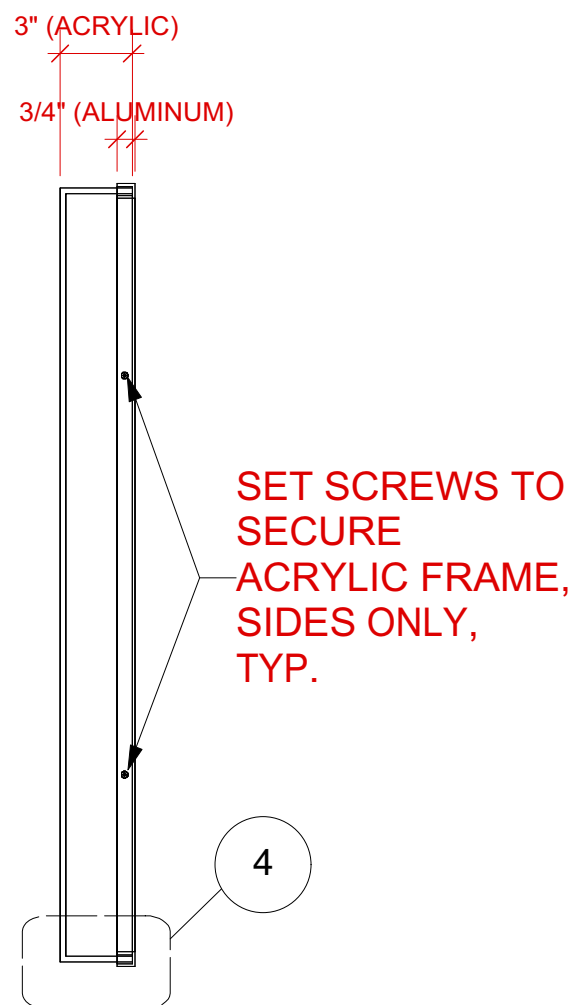
notes:

FREESTANDING CASE
SIZE A
PLEX BOX

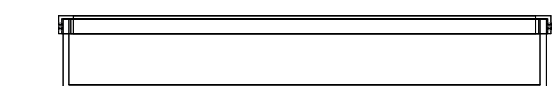
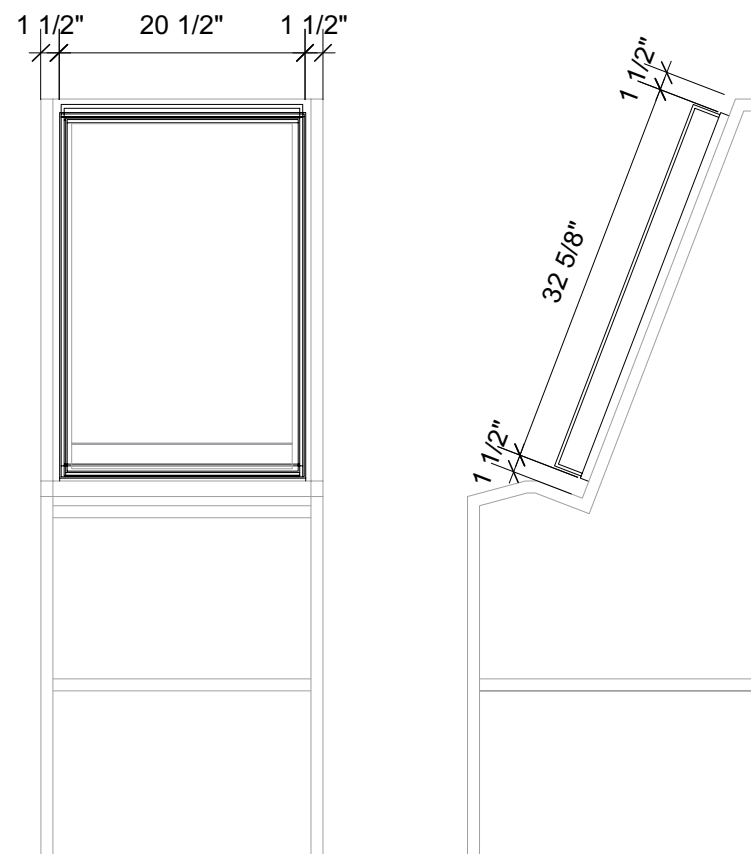
GASKET PLEX VITRINES



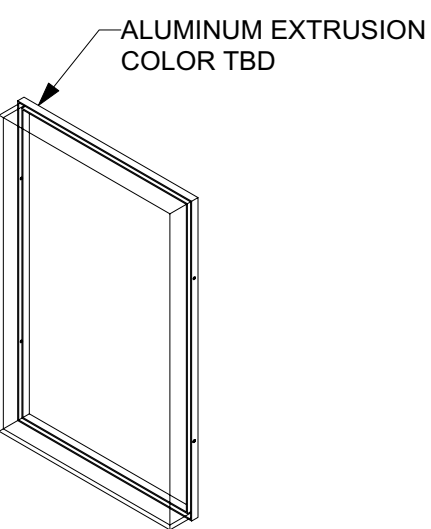
1 FRONT
Scale: 1 1/2" = 1'-0"



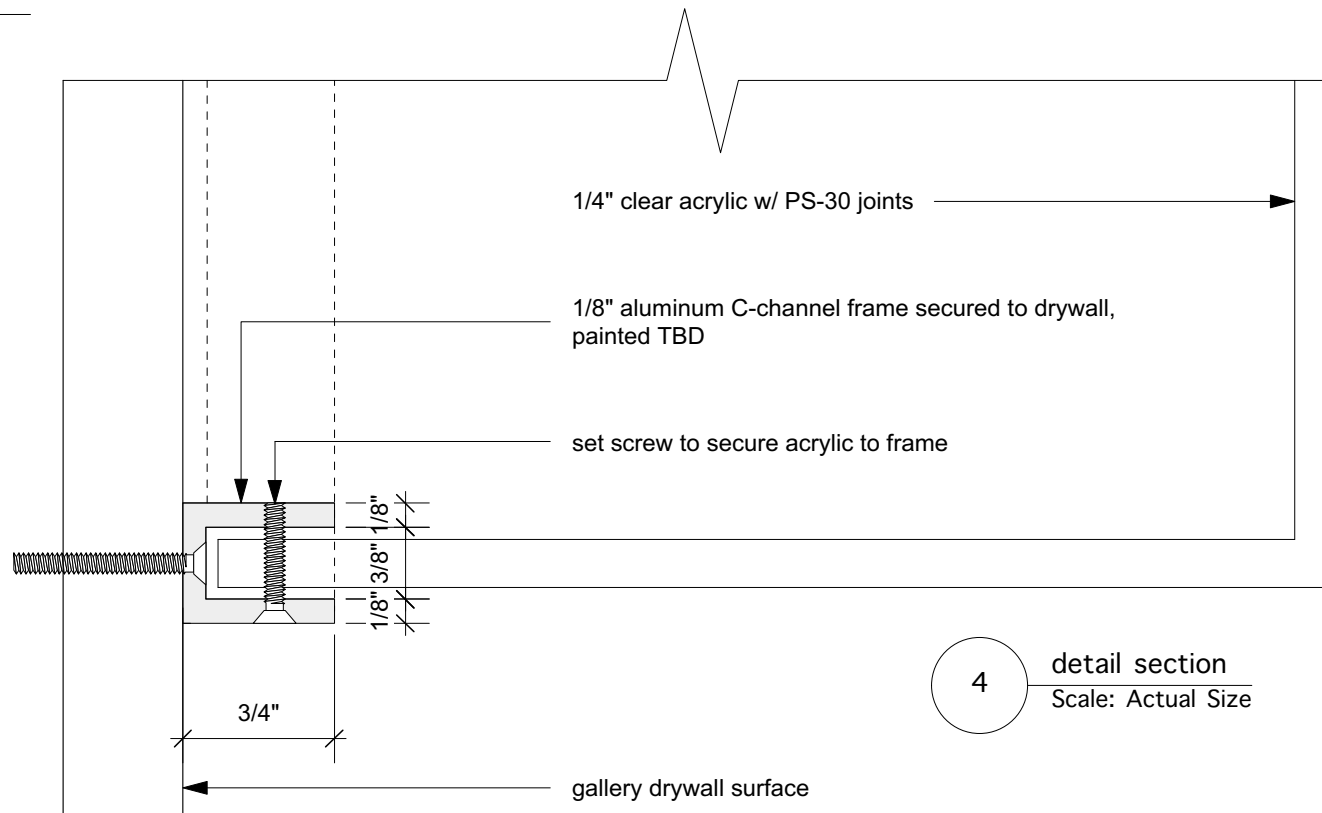
2 SIDE
Scale: 1 1/2" = 1'-0"



3 TOP/PLAN
Scale: 1 1/2" = 1'-0"



4 PLEX BOX PLACEMENT
Scale: 3/4" = 1'-0"

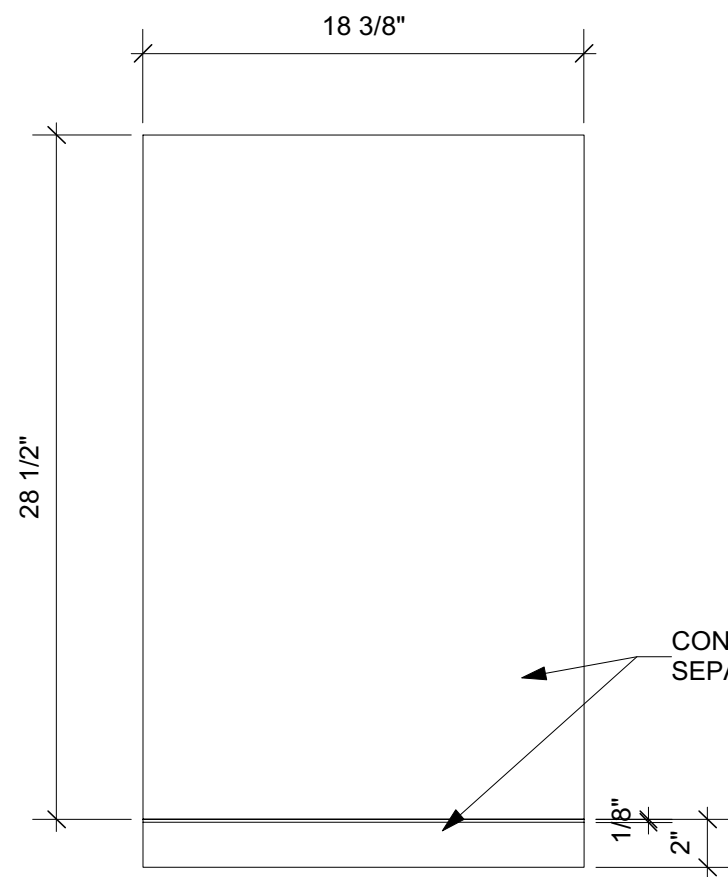


4 detail section
Scale: Actual Size

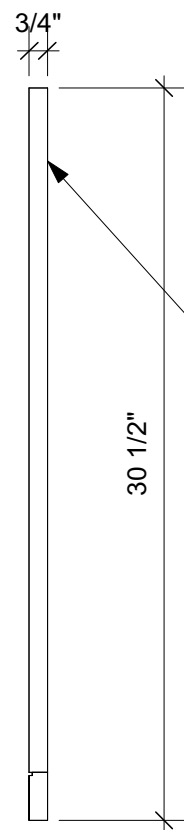
ISSUED/REVISED		
No.	Date	Description

DRAWING TITLE
WHITE BERYL
INSTALLATION

Scale
Issue Date
File Name

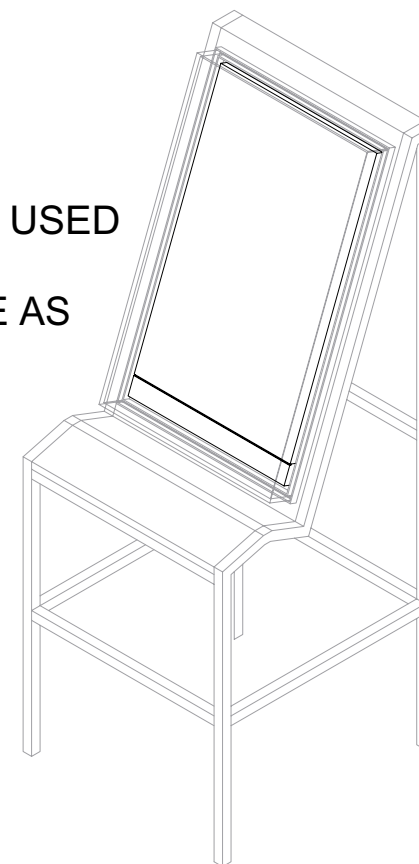


1 FRONT
Scale: 1 1/2" = 1'-0"



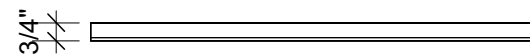
2 SIDE
Scale: 1 1/2" = 1'-0"

Z BAR CLEAT TO BE USED FOR MOUNTING (AS FLUSH TO CASE AS POSSIBLE)



FREESTANDING CASE
SIZE A

MAGNETIC BOARD AND LEDGE



3 TOP/PLAN
Scale: 1 1/2" = 1'-0"

MAGNETIC BOARD TO ALIGN WITH DEPTH OF ALUMINUM EXTRUSION (3/4")

FRONT SURFACE TO BE METAL FOR MAGNETIC ATTACHMENT AND TO BE COVERED WITH FABRIC TO BE PROVIDED

PAINT COLOR TBD (NOT MAGNETIC)

ATTACH PLEX BOX AND MAGNETIC BOARD/LEDGE TO STAND

ISSUED/REVISED		Description
No.	Date	
	11-18-16	

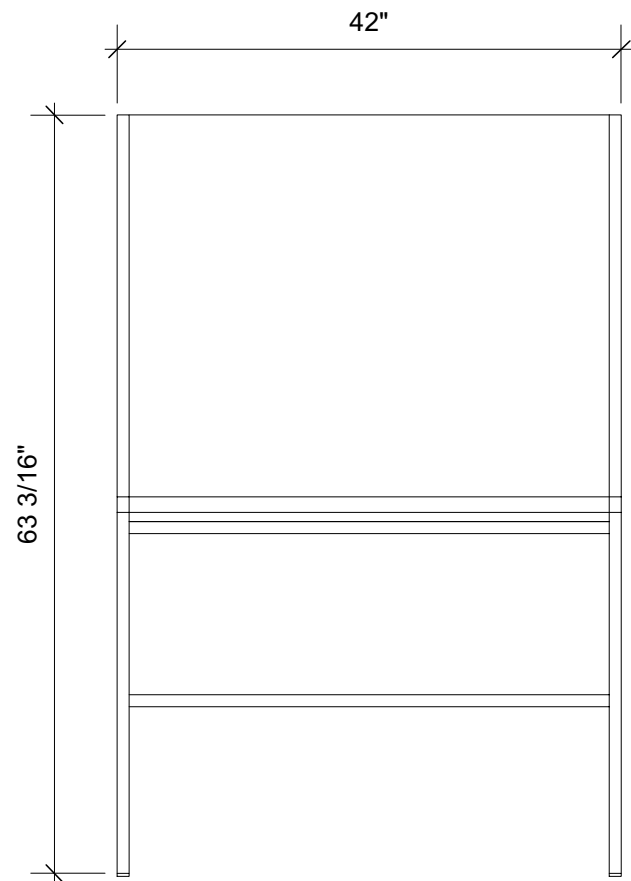
DRAWING TITLE
WHITE BERYL
INSTALLATION

Scale

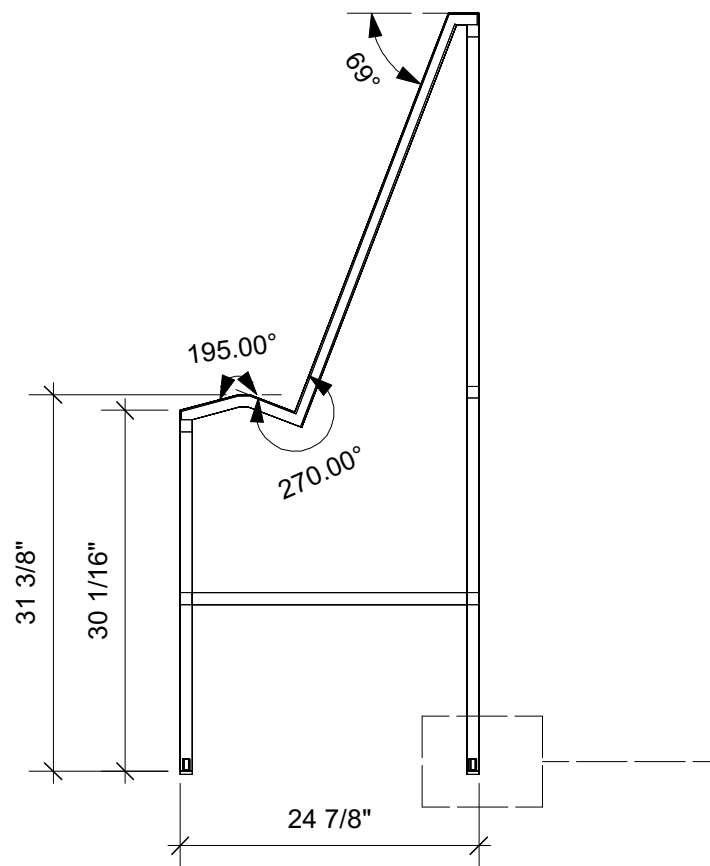
Issue Date

File Name

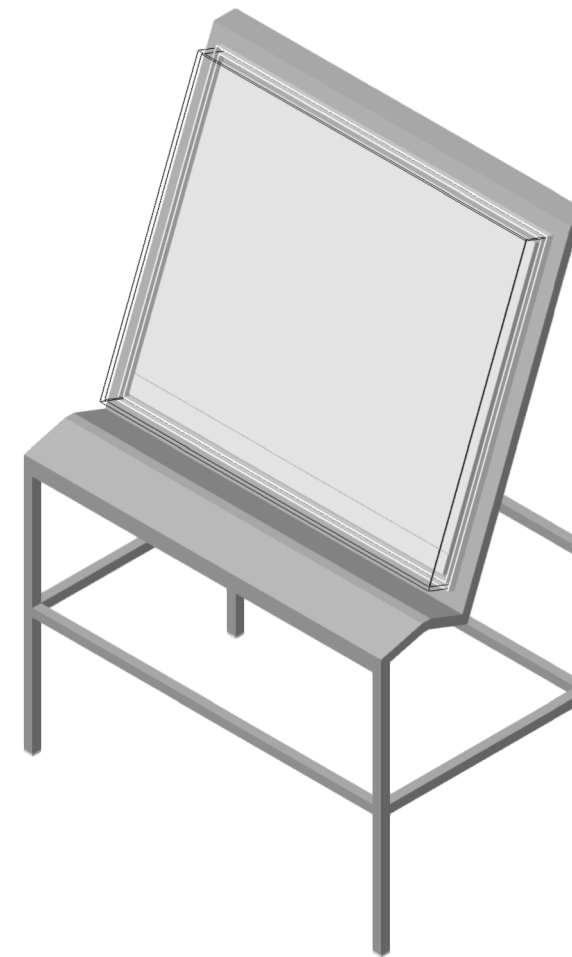
DRAWING No.



1 FRONT
Scale: 3/4" = 1'-0"



2 SIDE
Scale: 3/4" = 1'-0"

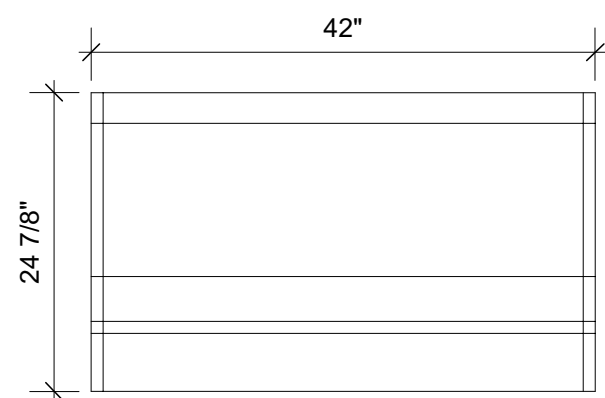


FREESTANDING CASE
SIZE B

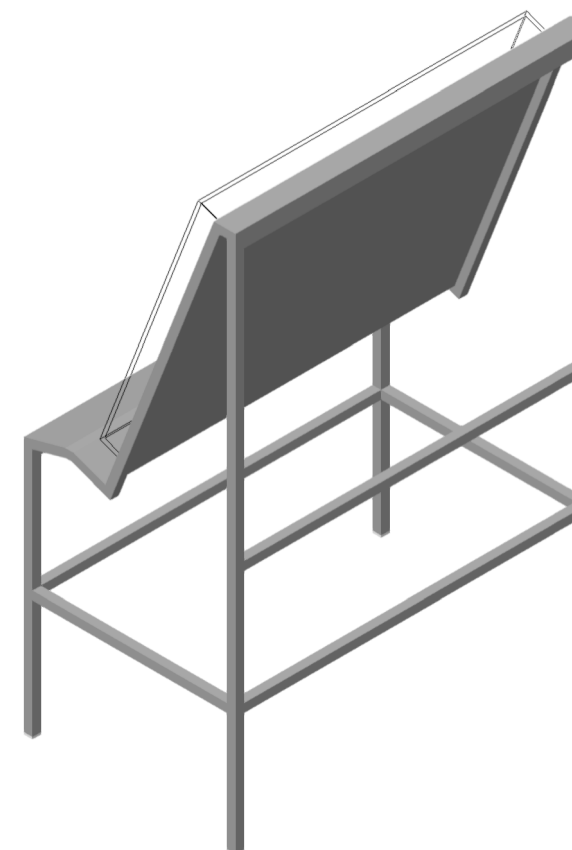
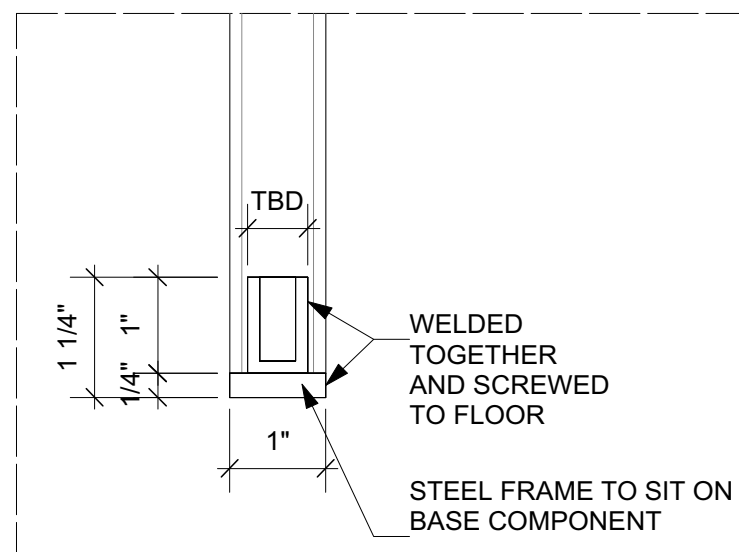
FRAME OVERALL

FRAME TO BE
POWDER COATED
MATTE FINISH
COLOR TBD

QUANTITY: 1 UNIT



3 TOP/PLAN
Scale: 3/4" = 1'-0"



ISSUED/REVISED No.	Date	Description
	11-18-16	

DRAWING TITLE
WHITE BERYL
INSTALLATION

Scale

Issue Date

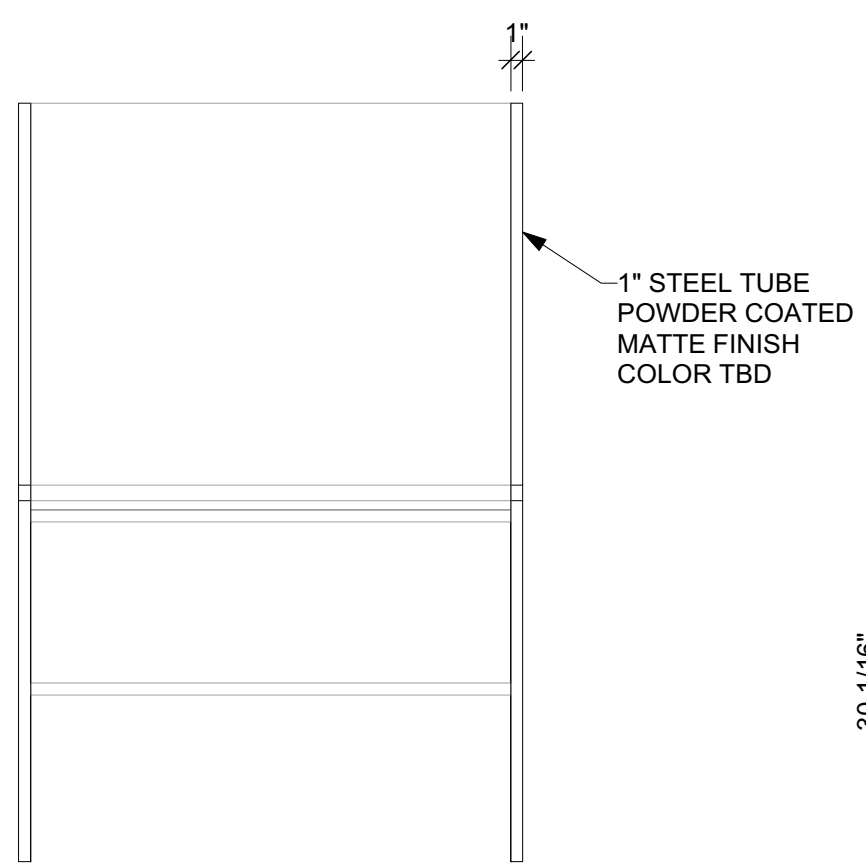
File Name

DRAWING No.

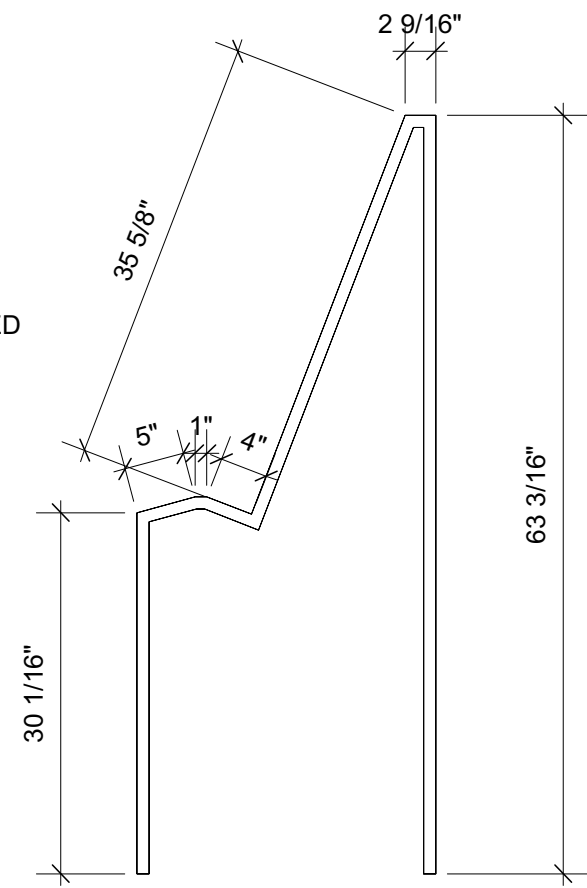
opening date:

notes:

FREESTANDING CASE
SIZE B
FRAME SIDES



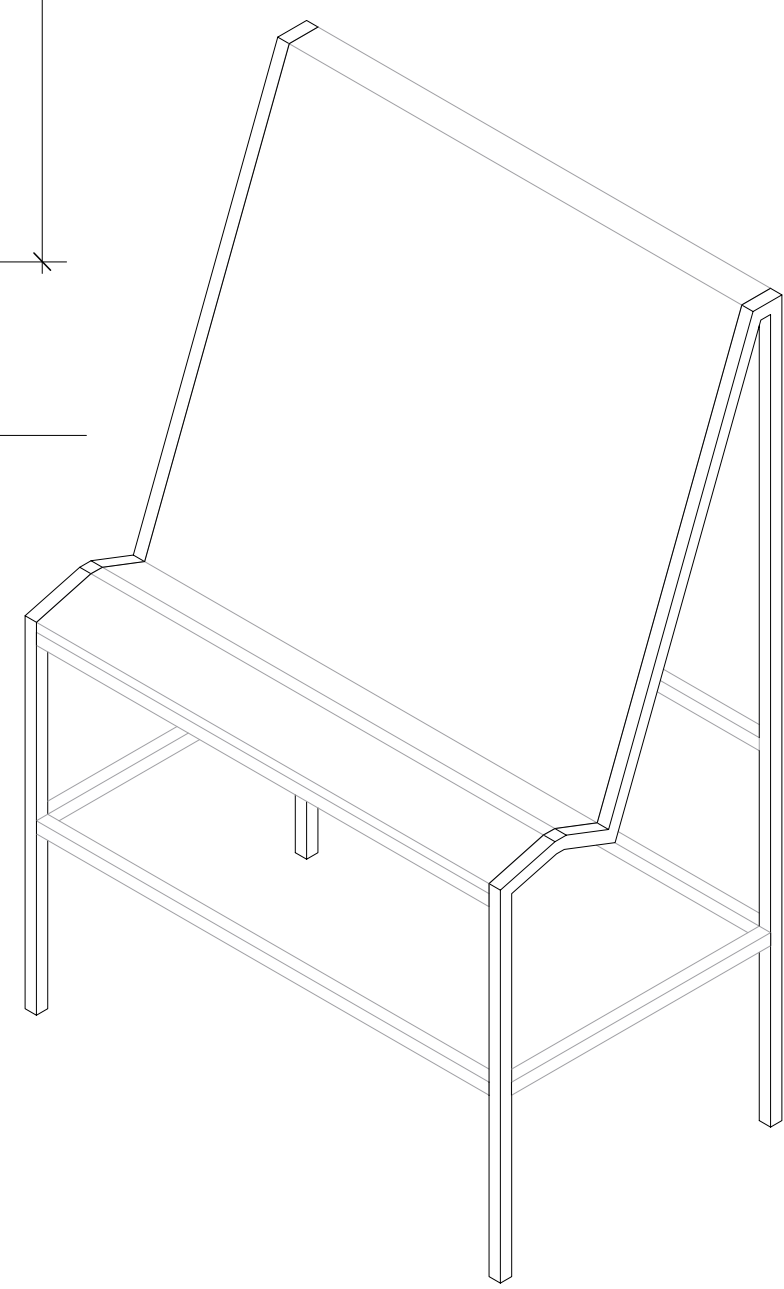
1 FRONT
Scale: 3/4" = 1'-0"



2 SIDE
Scale: 3/4" = 1'-0"



3 TOP/PLAN
Scale: 3/4" = 1'-0"



ISSUED/REVISED		
No.	Date	Description
	11-18-16	

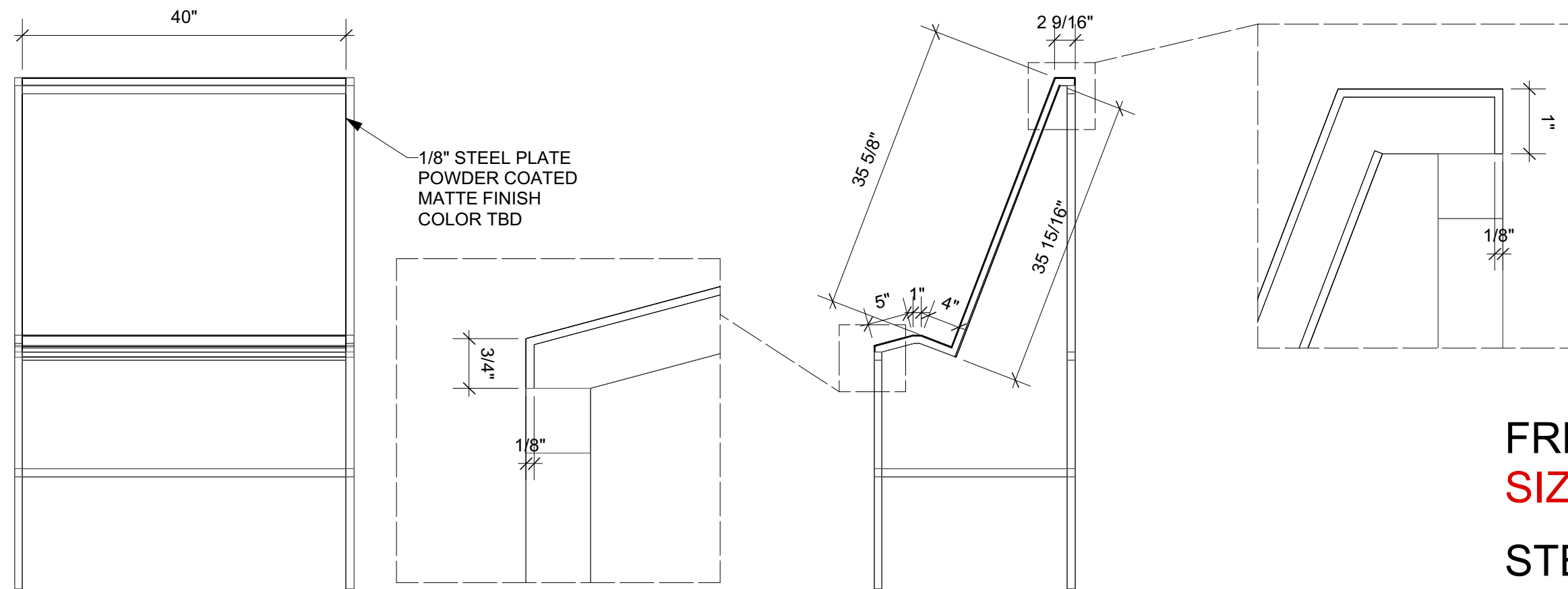
DRAWING TITLE
**WHITE BERYL
INSTALLATION**

Scale

Issue Date

File Name

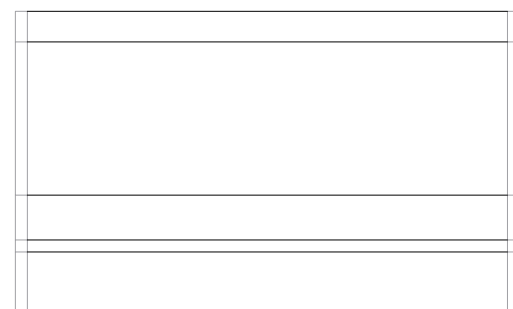
DRAWING
No.



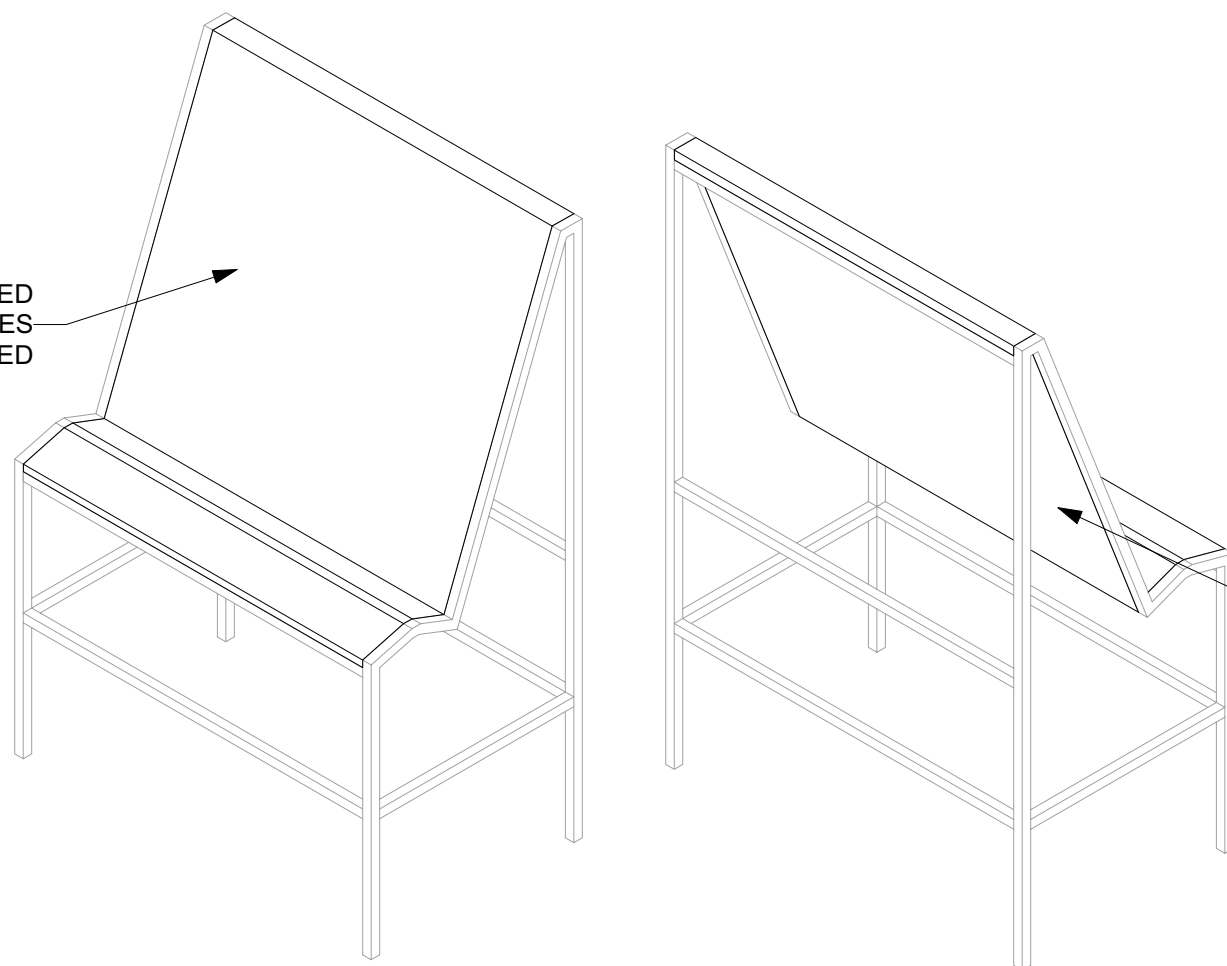
FREESTANDING CASE
SIZE B
STEEL PLATE

1 FRONT
Scale: 3/4" = 1'-0"

FRONT STEEL PLATE TO BE WELDED
BETWEEN THE TWO FRAME SIDES
AND SANDED AND FINISHED



3 TOP/PLAN
Scale: 3/4" = 1'-0"



BACK STEEL PLATE TO BE WELDED
BETWEEN THE TWO FRAME SIDES
AND SANDED AND FINISHED

ISSUED/REVISED		
No.	Date	Description
11-18-16		

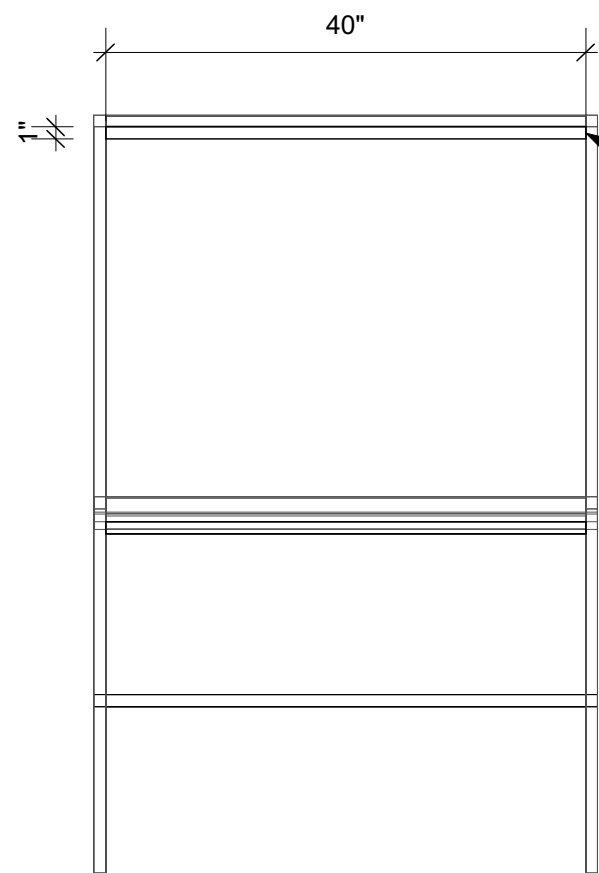
DRAWING TITLE
**WHITE BERYL
INSTALLATION**

Scale

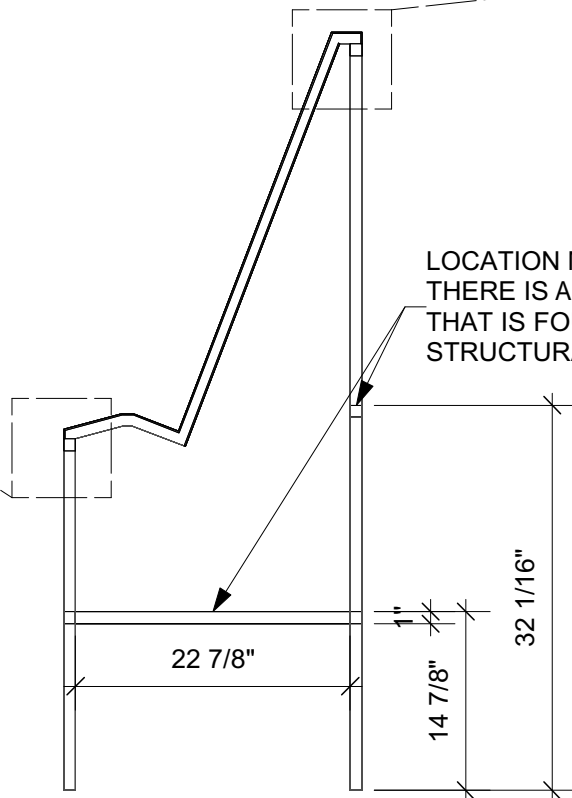
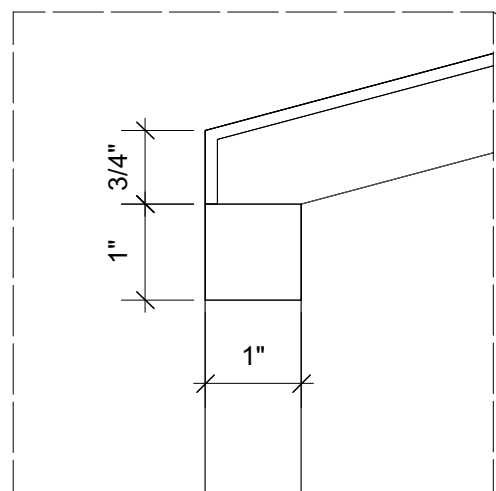
Issue Date

File Name

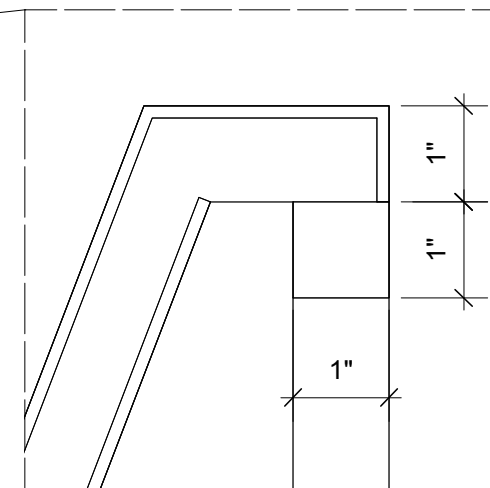
DRAWING
No.



1" STEEL TUBE
POWDER COATED
MATTE FINISH
COLOR TBD

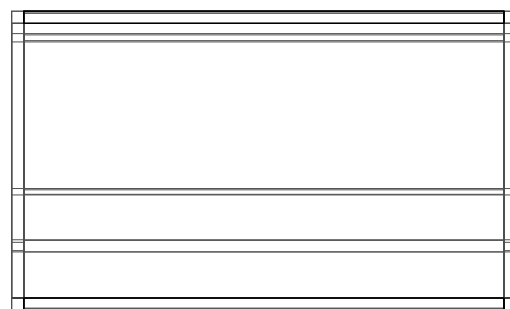


LOCATION MAY CHANGE IF
THERE IS A PLACEMENT/HEIGHT
THAT IS FOUND TO BE MORE
STRUCTURALLY STABLE



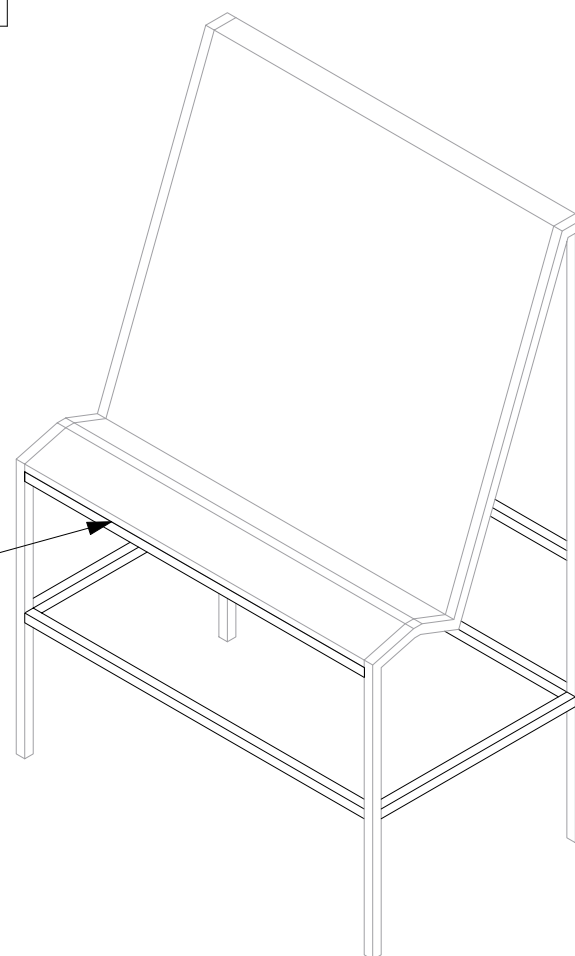
FREESTANDING CASE
SIZE B
SUPPORT

1 FRONT
Scale: 3/4" = 1'-0"

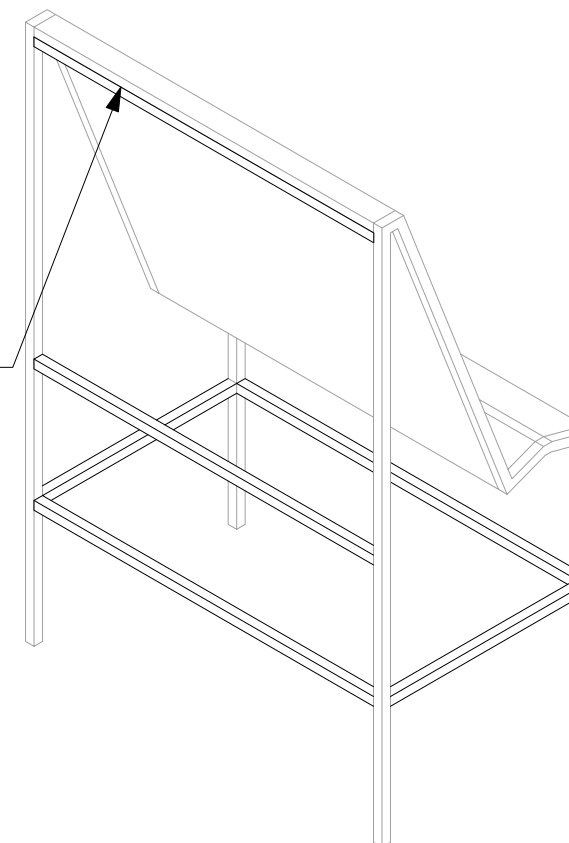


3 TOP/PLAN
Scale: 3/4" = 1'-0"

1" STEEL TUBE TO BE WELDED
TO 1/8" STEEL PLATE AND
SANDED AND FINISHED



1" STEEL TUBE TO BE WELDED
TO 1/8" STEEL PLATE AND
SANDED AND FINISHED



ISSUED/REVISED	No.	Date	Description

DRAWING TITLE
**WHITE BERYL
INSTALLATION**

Scale

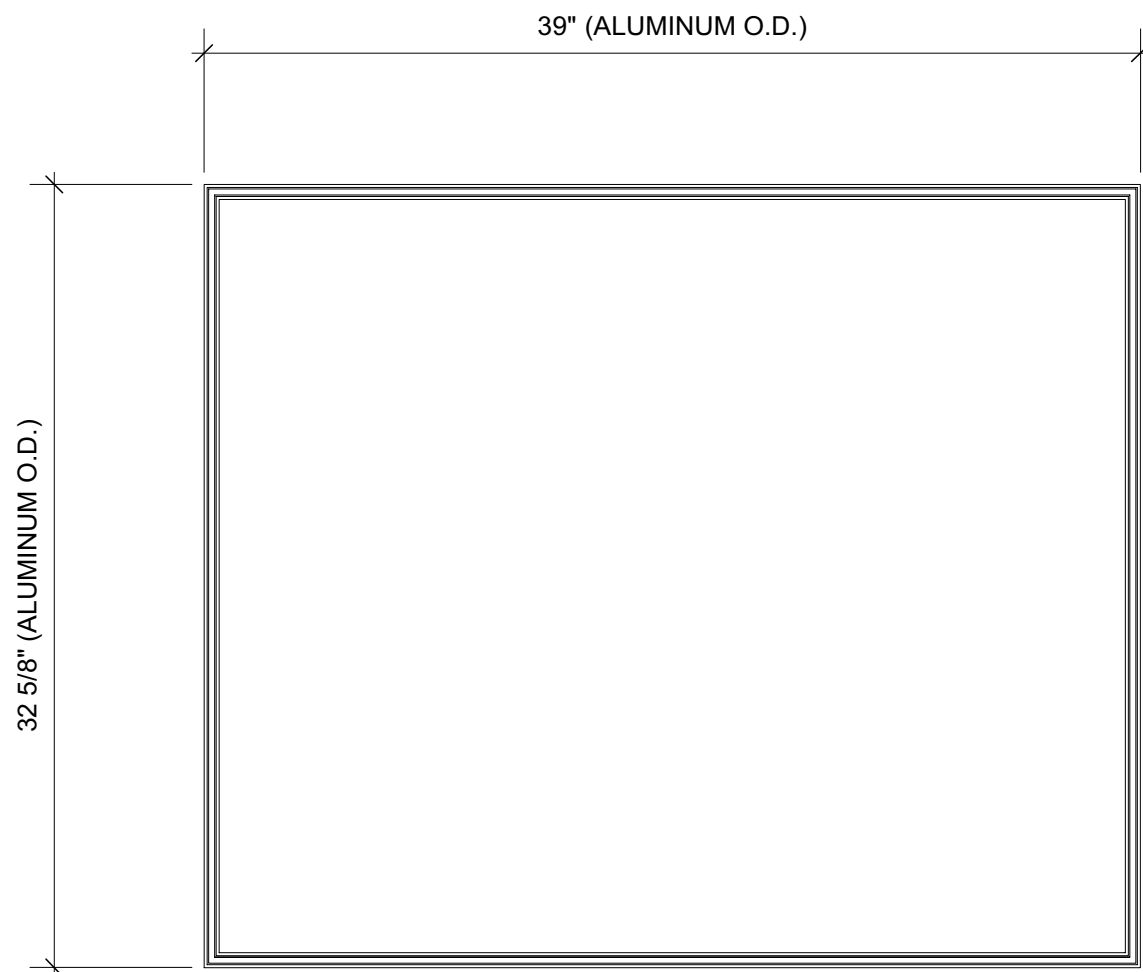
Issue Date

File Name

DRAWING
No.

opening date:

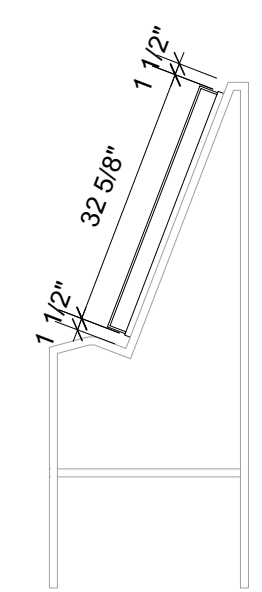
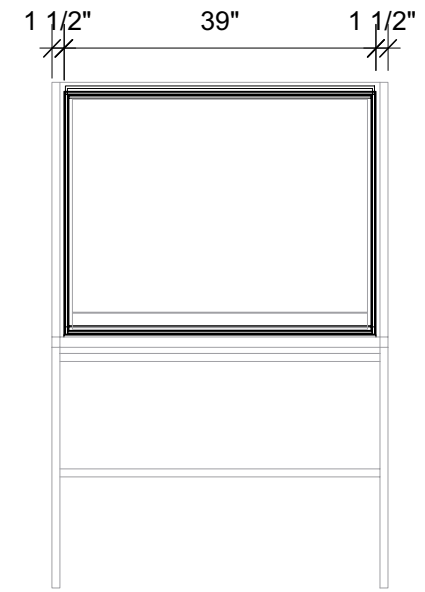
notes:



3\"/>

3/4\"/>

SET SCREWS TO
SECURE
ACRYLIC FRAME,
SIDES ONLY,
TYP.

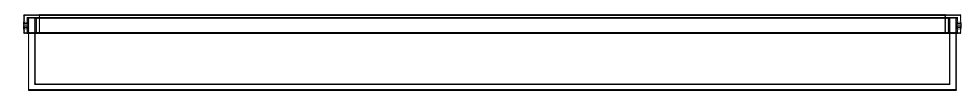


5 PLEX BOX PLACEMENT
Scale: 1/2" = 1'-0"
**FREESTANDING CASE
SIZE B**

PLEX BOX

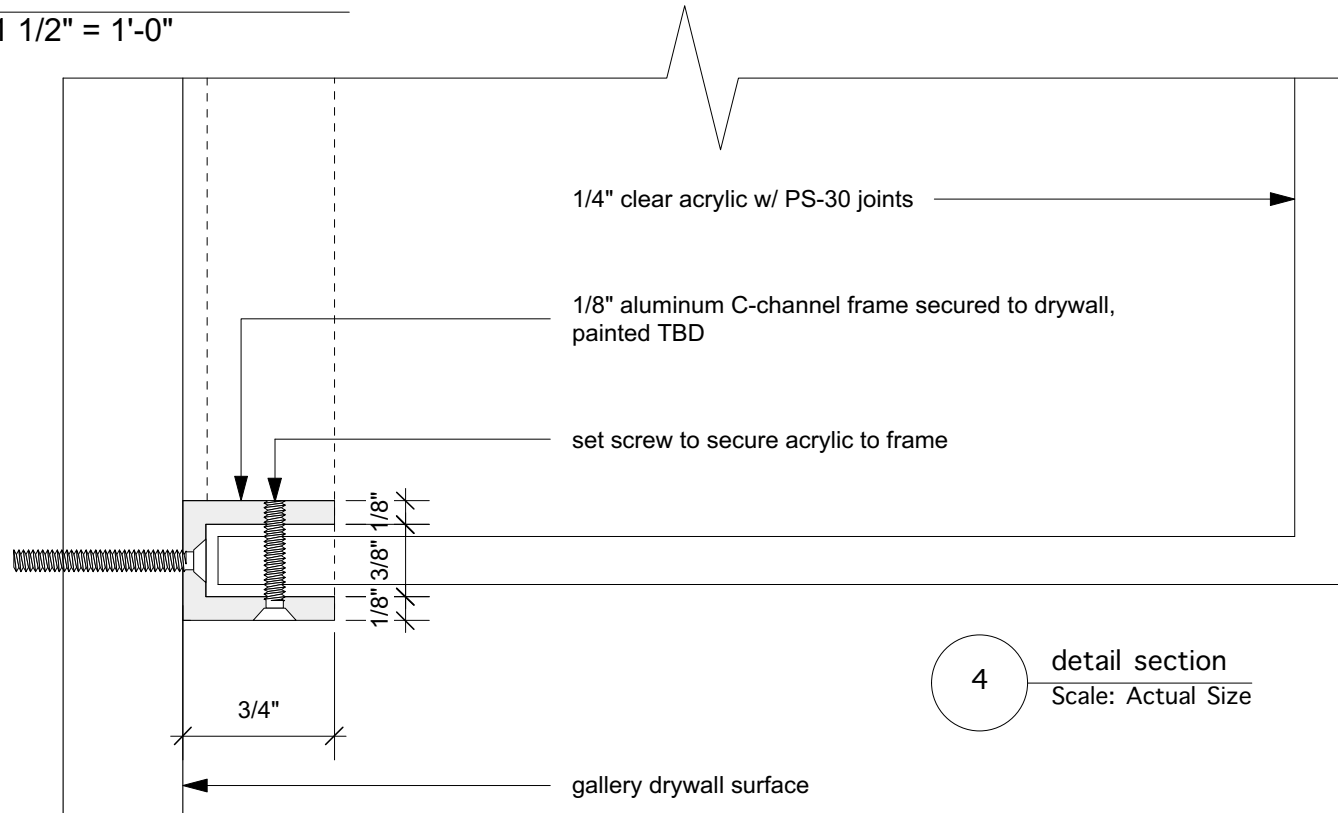
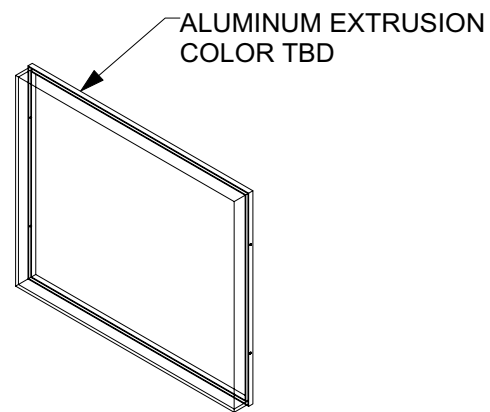
GASKET PLEX VITRINES

1 FRONT
Scale: 1 1/2" = 1'-0"



2 SIDE
Scale: 1 1/2" = 1'-0"

3 TOP/PLAN
Scale: 1 1/2" = 1'-0"

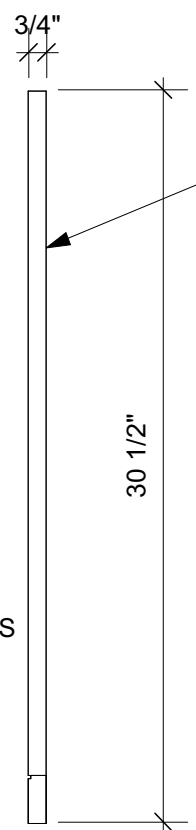
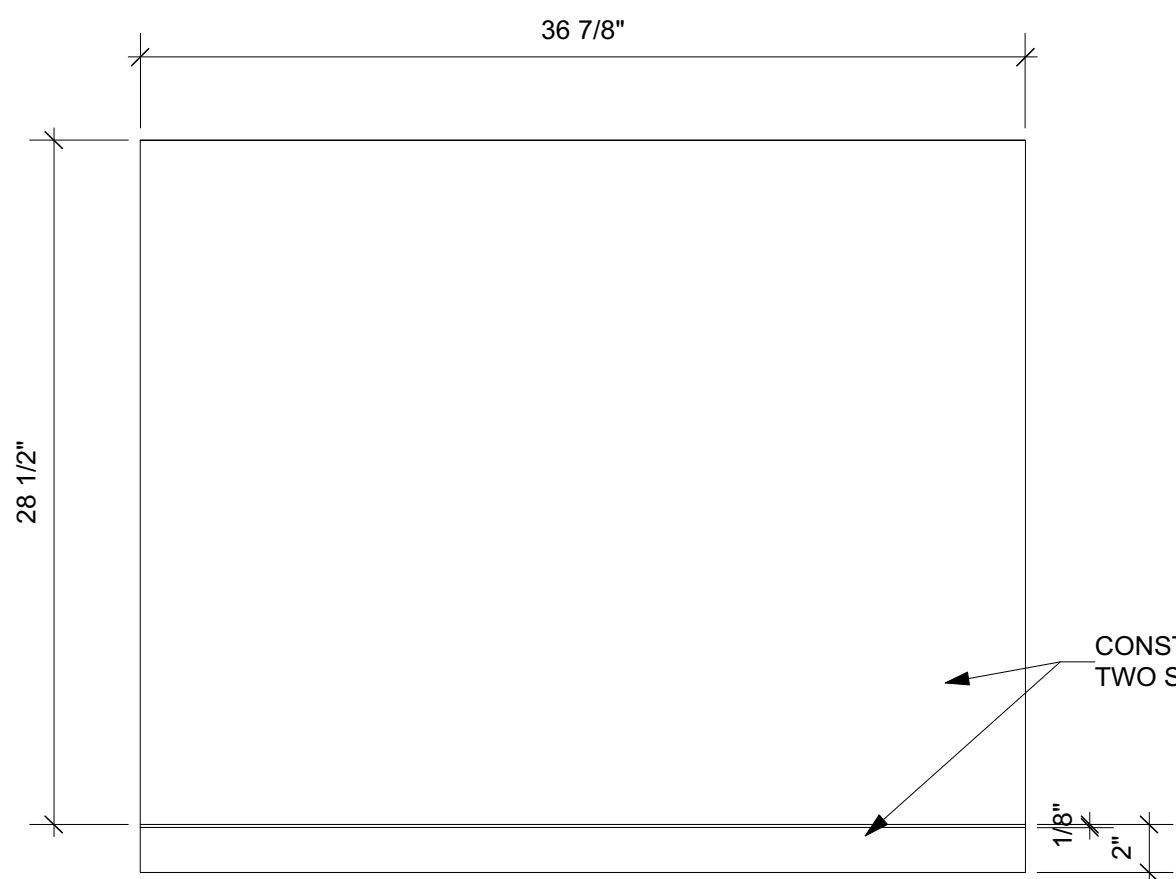


4 detail section
Scale: Actual Size

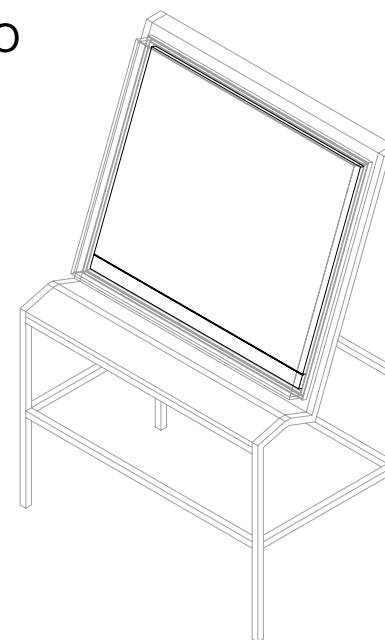
ISSUED/REVISED No.	Date	Description
	11-18-16	

DRAWING TITLE
**WHITE BERYL
INSTALLATION**

Scale
Issue Date
File Name



Z BAR CLEAT TO BE USED FOR MOUNTING (AS FLUSH TO CASE AS POSSIBLE)

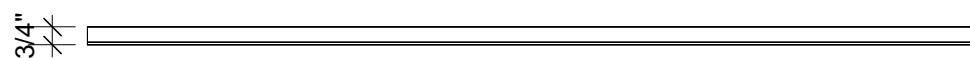


FREESTANDING CASE
SIZE B

MAGNETIC BOARD AND LEDGE

1 FRONT
Scale: 1 1/2" = 1'-0"

2 SIDE
Scale: 1 1/2" = 1'-0"



MAGNETIC BOARD TO ALIGN WITH DEPTH OF ALUMINUM EXTRUSION (3/4")

FRONT SURFACE TO BE METAL FOR MAGNETIC ATTACHMENT AND TO BE COVERED WITH FABRIC TO BE PROVIDED

PAINT COLOR TBD (NOT MAGNETIC)

3 TOP/PLAN
Scale: 1 1/2" = 1'-0"

ATTACH PLEX BOX AND MAGNETIC BOARD/LEDGE TO STAND ON-SITE

ISSUED/REVISED		
No.	Date	Description
	11-18-16	

DRAWING TITLE
WHITE BERYL INSTALLATION

Scale

Issue Date

File Name

DRAWING No.