

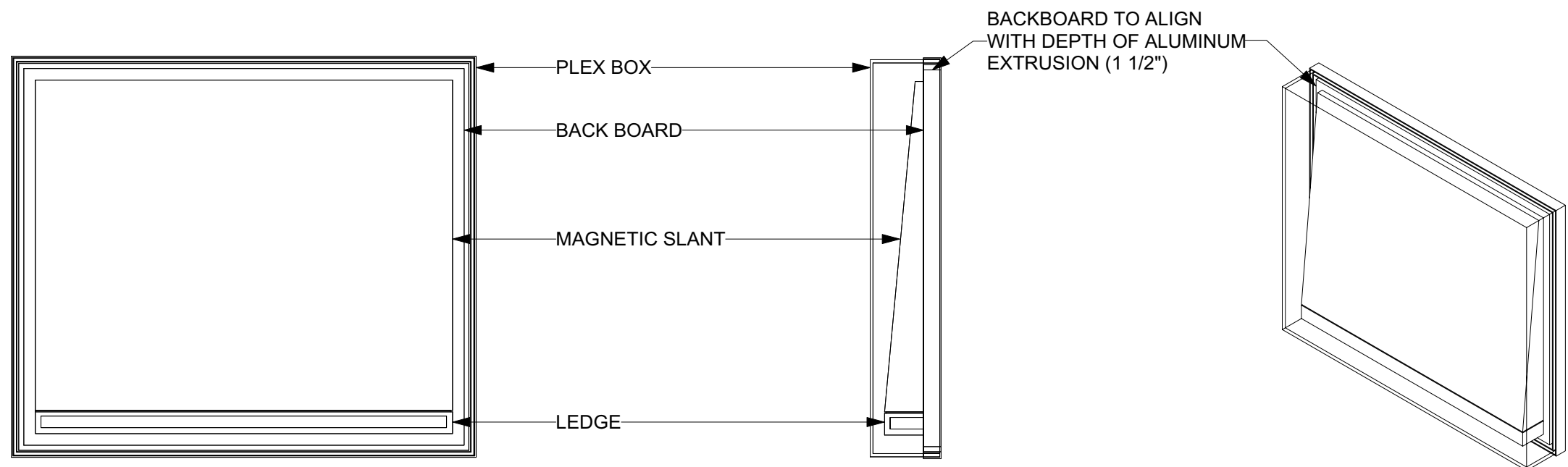
John Monaco
212-620-5000 ext. 353

opening date:

notes:

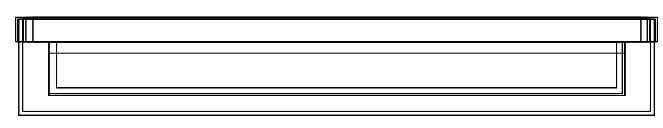
WALL UNITS
OVERALL VIEW--
PARTS ON
FOLLOWING PAGES

QUANTITY: 8 UNITS
TOTAL AT MULTIPLE
LENGTHS (REFER TO
FOLLOWING PAGES)

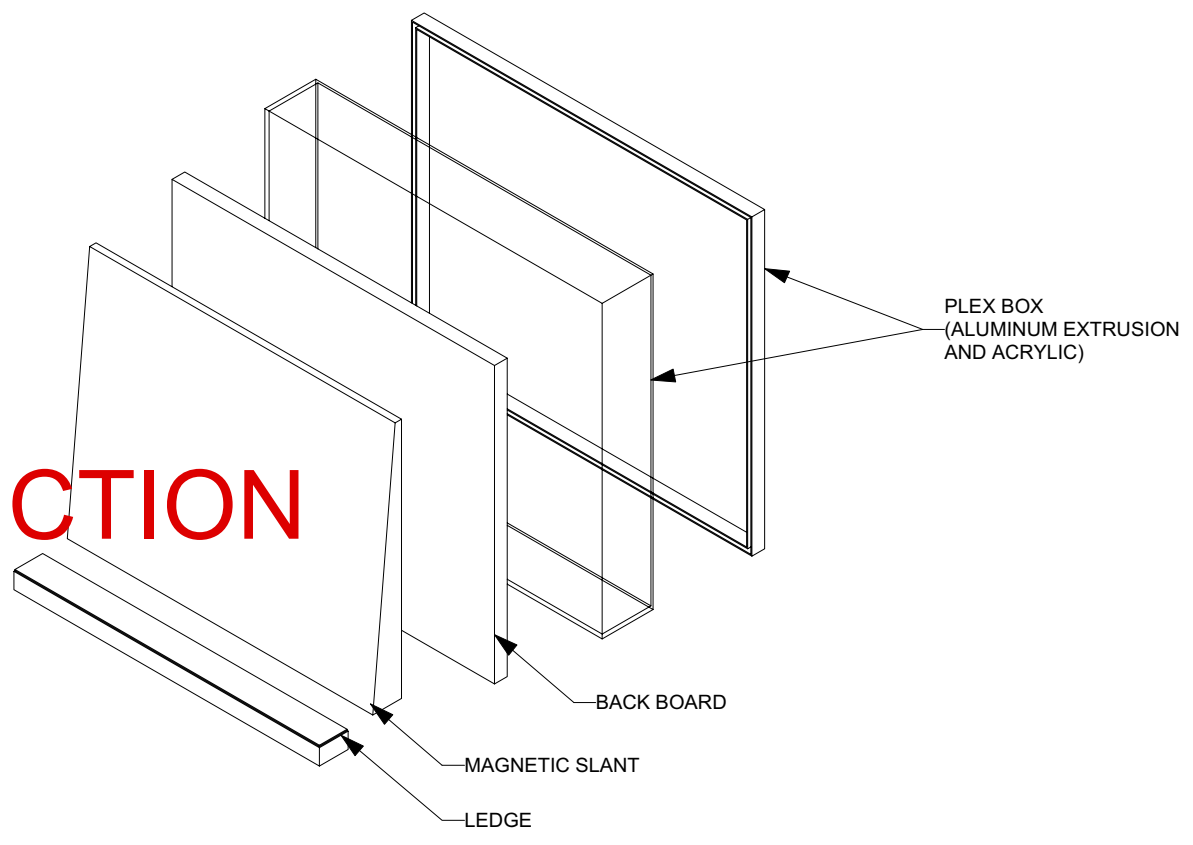


1 FRONT
Scale: 1" = 1'-0"

2 SIDE
Scale: 1" = 1'-0"



3 TOP/PLAN
Scale: 1" = 1'-0"



NOT FOR CONSTRUCTION
QUOTE ONLY

ISSUED/REVISED		
No.	Date	Description
	11-18-16	

DRAWING TITLE
**WHITE BERYL
INSTALLATION**

Scale

Issue Date

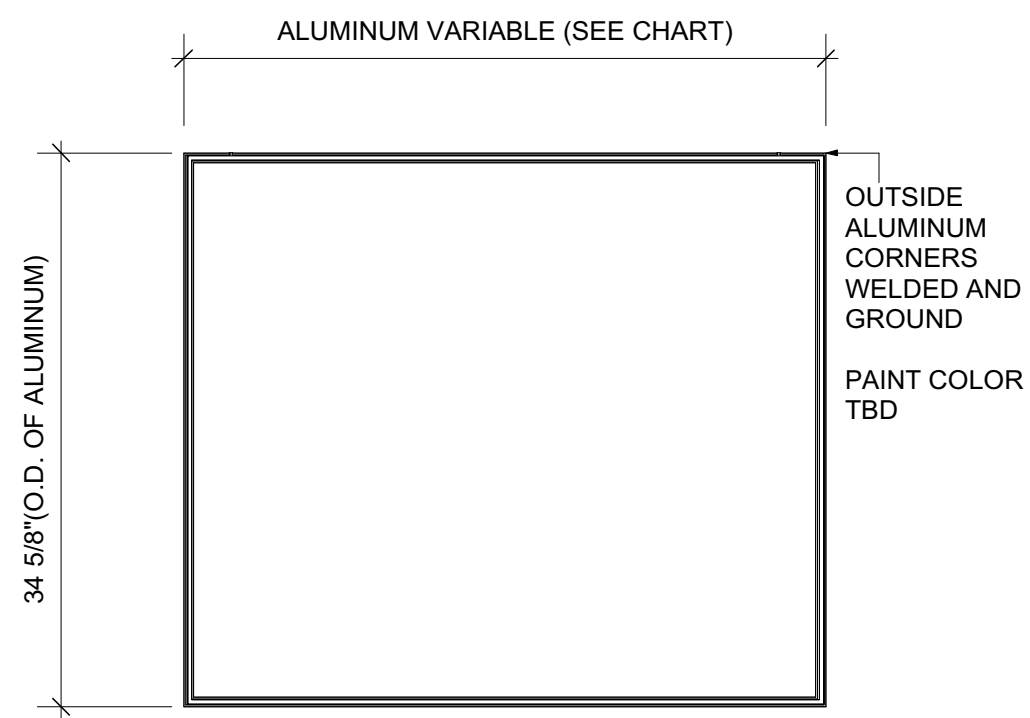
File Name

DRAWING
No.

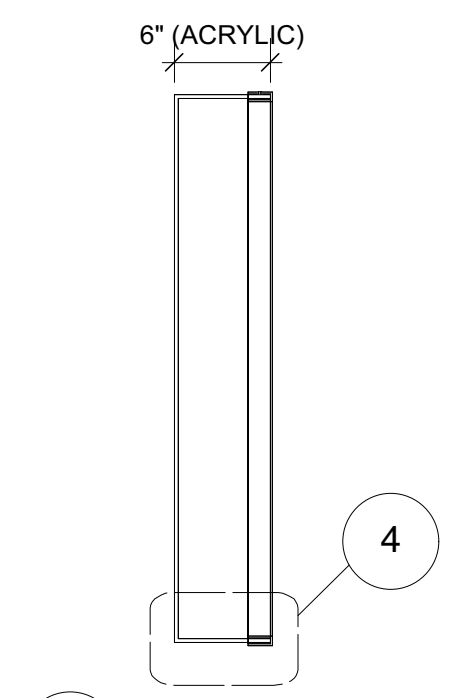
opening date:

notes:

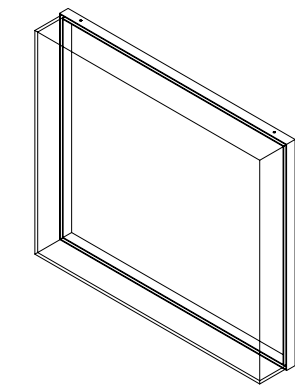
PLEX BOX UNITS	
CASE NAME	ALUMINUM LENGTH O.D.
CASE 1_CHARTS	18 5/8"
CASE 2_HOROSCOPES	72 3/8"
CASE 3_NATAL	40 1/8"
CASE 4_MARRIAGE	40 1/8"
CASE 5_OBSTACLE YEARS	34 3/4"
CASE 6_ILL HEALTH	40 1/8"
CASE 7_DEATH	50 7/8"
CASE 8_BOOKCOVER	44 1/4"



1 FRONT
Scale: 1" = 1'-0"



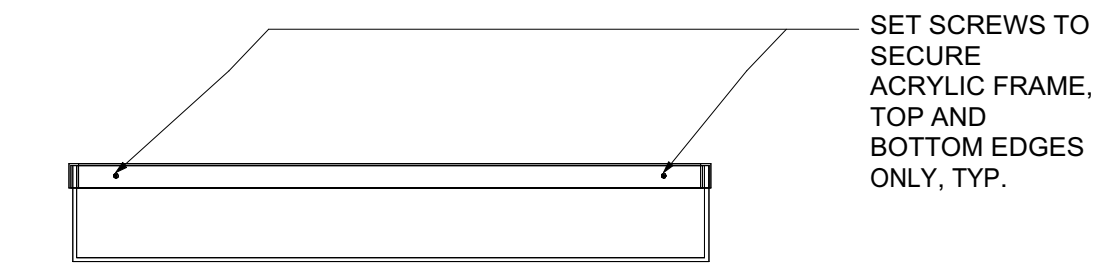
2 SIDE
Scale: 1" = 1'-0"



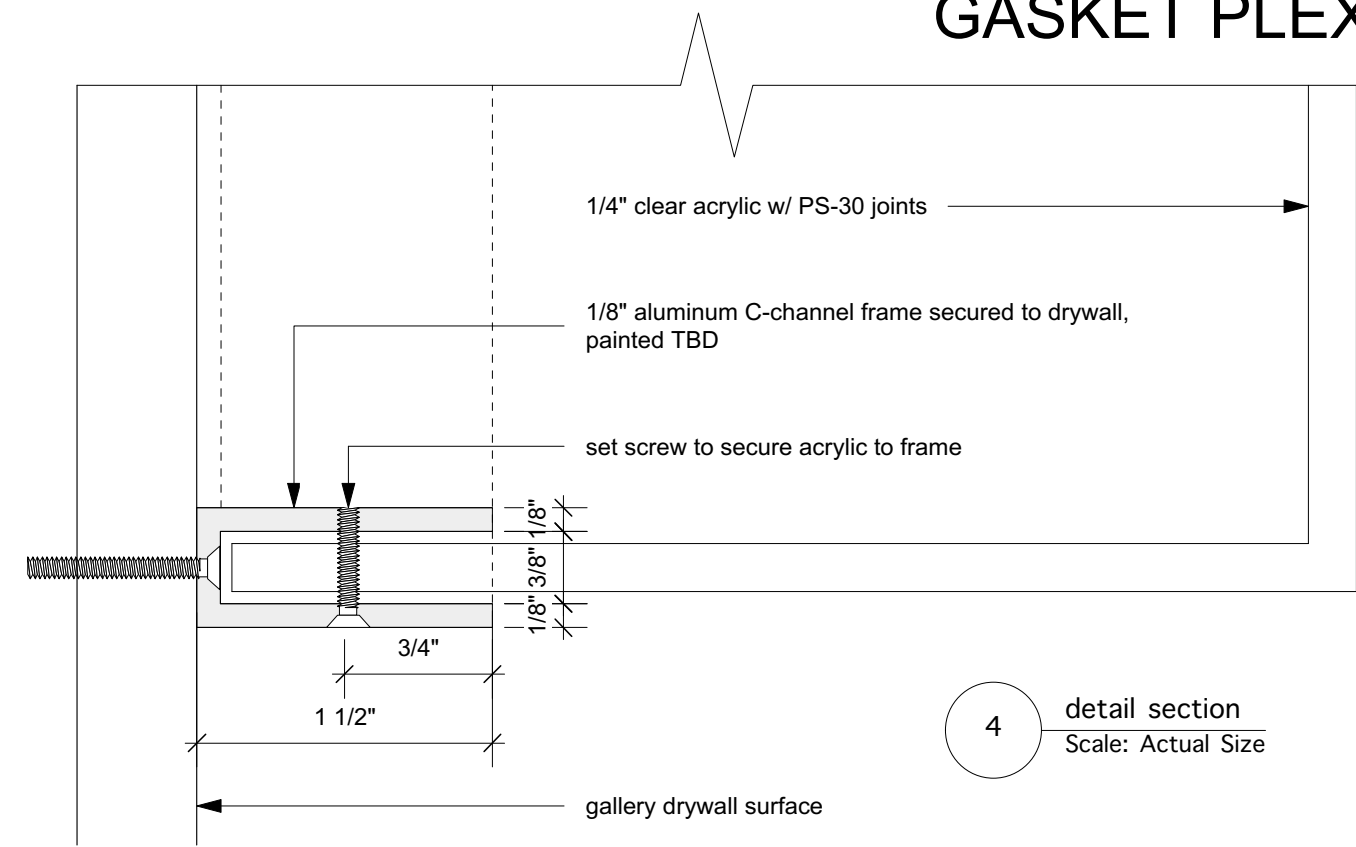
PLEX BOX

QUANTITY: 8 UNITS
AT MULTIPLE LENGTHS
(REFER TO CHART)

GASKET PLEXI VITRINES



3 TOP/PLAN
Scale: 1" = 1'-0"



4 detail section
Scale: Actual Size

ISSUED/REVISED	No.	Date	Description

DRAWING TITLE
**WHITE BERYL
INSTALLATION**

Scale

Issue Date

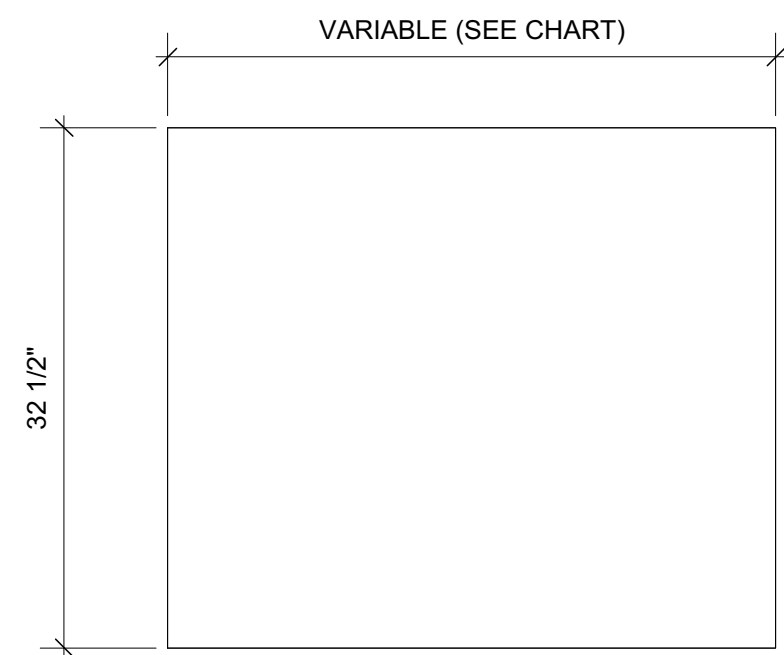
File Name

DRAWING No.

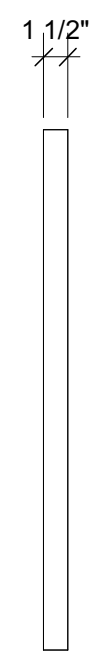
opening date:

notes:

BACK BOARDS	
CASE NAME	LENGTH
CASE 1_CHARTS	16 1/2"
CASE 2_HOROSCOPES	70 1/4"
CASE 3_NATAL	38"
CASE 4_MARRIAGE	38"
CASE 5_OBSTACLE YEARS	32 5/8"
CASE 6_ILL HEALTH	38"
CASE 7_DEATH	48 3/4"
CASE 8_BOOKCOVER	42 1/8"



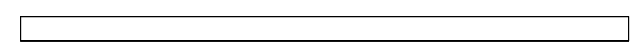
1 FRONT
Scale: 1" = 1'-0"



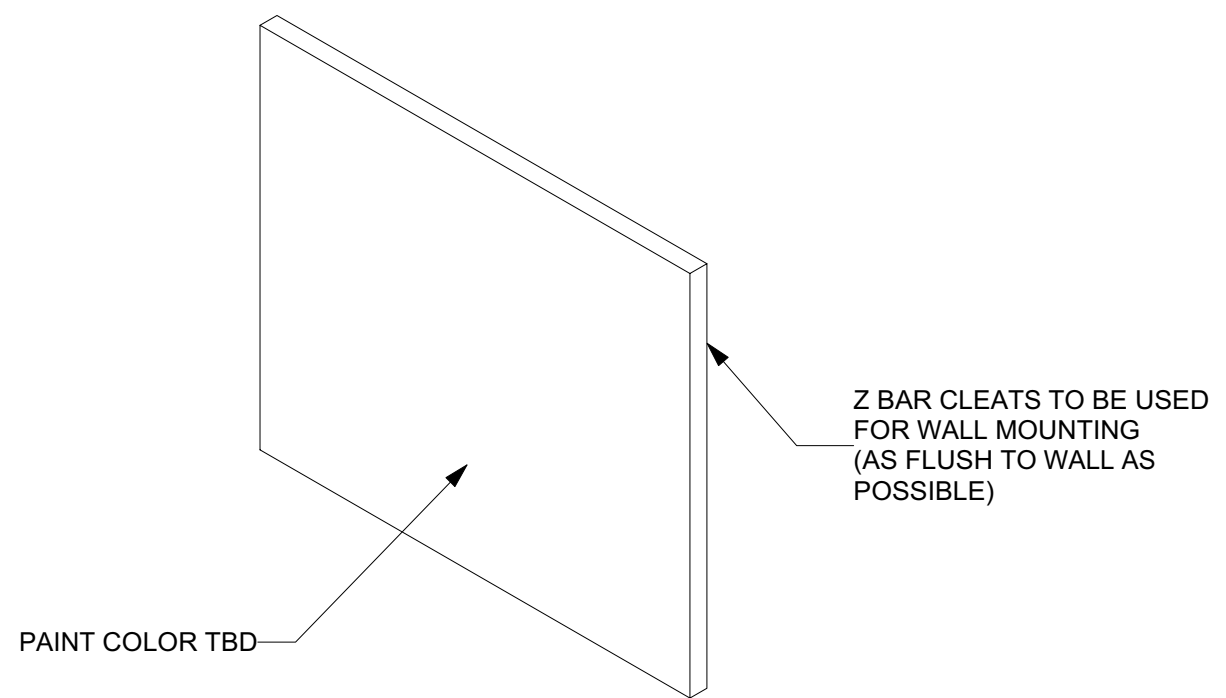
2 SIDE
Scale: 1" = 1'-0"

BACK BOARD

QUANTITY: 8 UNITS
AT MULTIPLE LENGTHS
(REFER TO CHART)



3 TOP/PLAN
Scale: 1" = 1'-0"



ISSUED/REVISED No.	Date	Description
11-18-16		

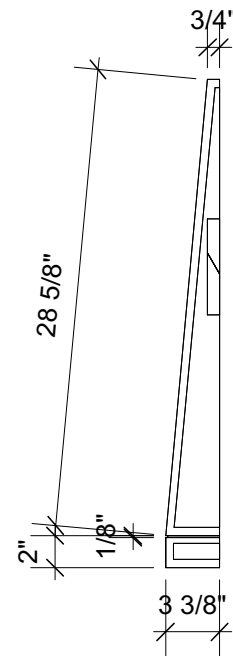
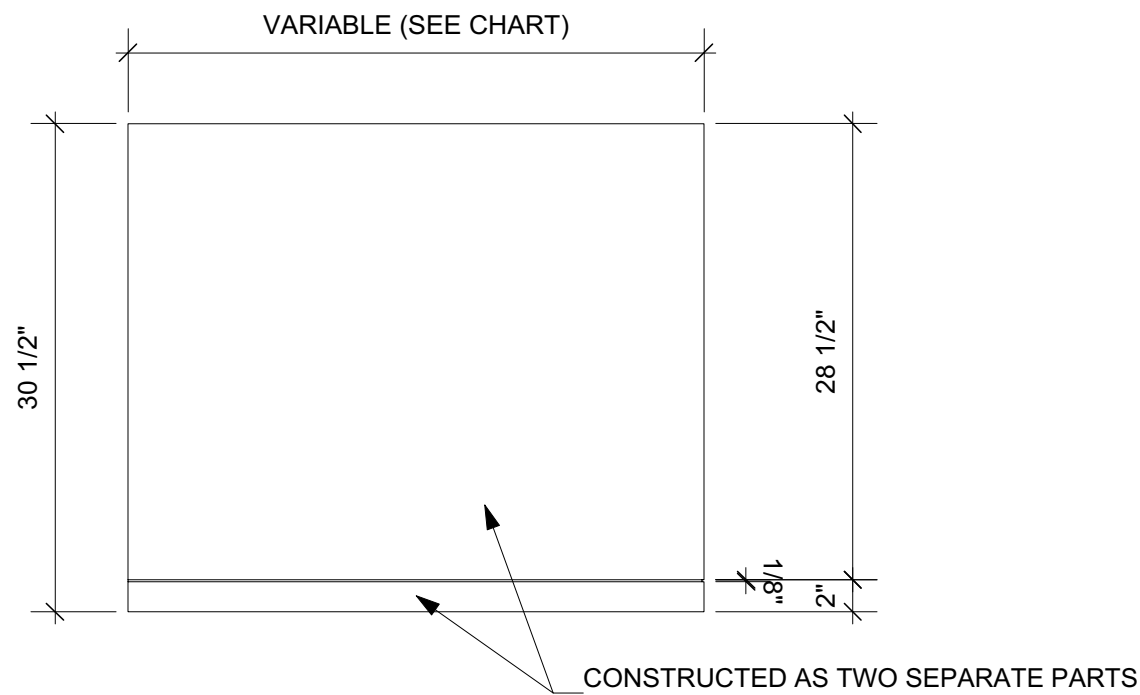
DRAWING TITLE
**WHITE BERYL
INSTALLATION**

Scale
Issue Date
File Name

DRAWING No.

opening date:

notes:



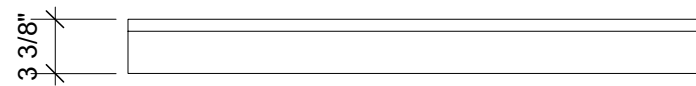
SLANT BOARDS	
CASE NAME	LENGTH
CASE 1_CHARTS	14 1/2"
CASE 2_HOROSCOPES	68 1/4"
CASE 3_NATAL	36"
CASE 4_MARRIAGE	36"
CASE 5_OBSTACLE YEARS	30 5/8"
CASE 6_ILL HEALTH	36"
CASE 7_DEATH	46 3/4"
CASE 8_BOOKCOVER	40 1/8"

MAGNETIC SLANT BOARD AND LEDGE

QUANTITY: 8 UNITS
AT MULTIPLE LENGTHS
(REFER TO CHART)

1 FRONT
Scale: 1" = 1'-0"

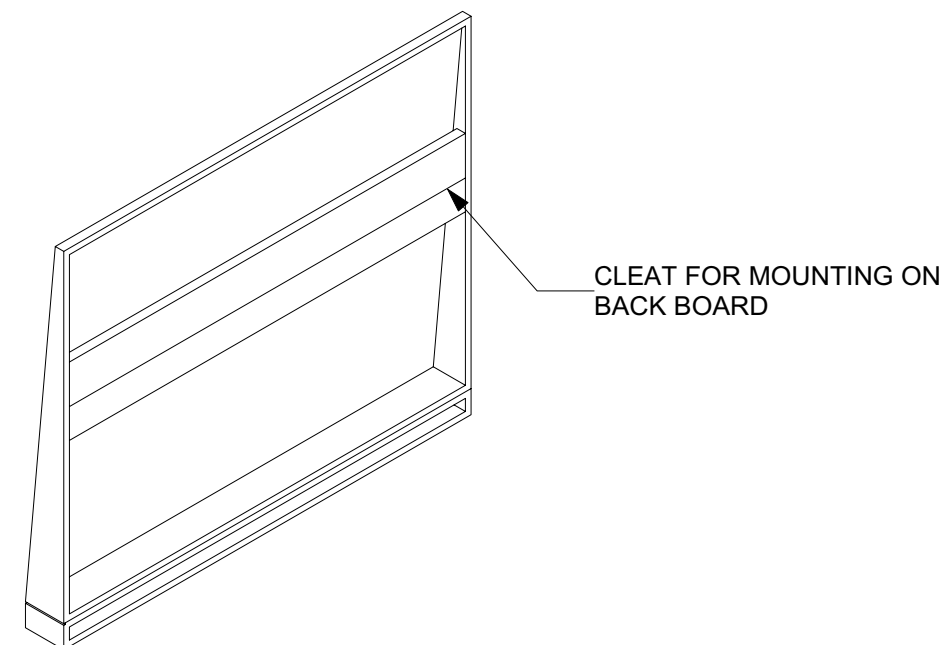
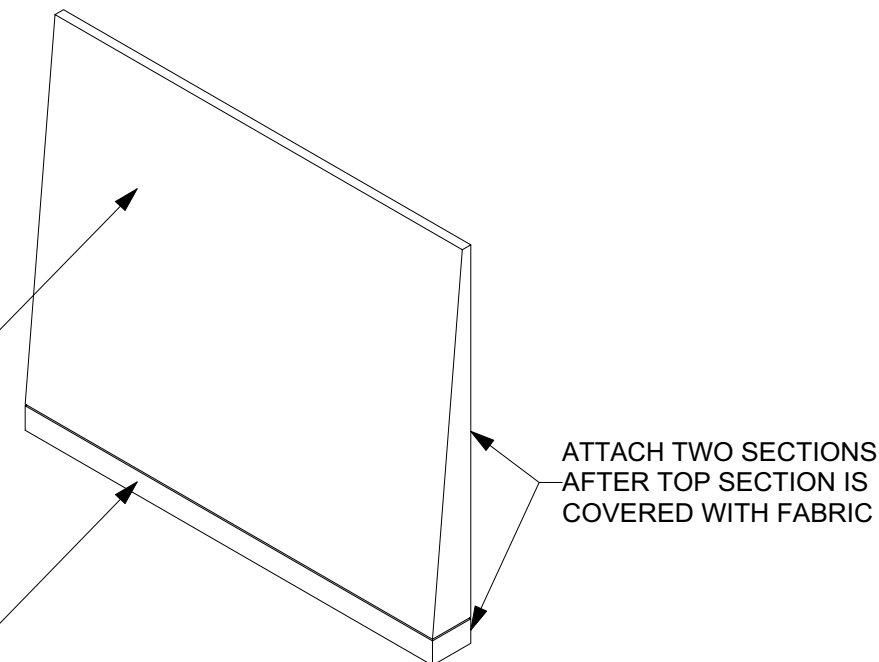
2 SIDE
Scale: 1" = 1'-0"



3 TOP/PLAN
Scale: 1" = 1'-0"

FRONT SURFACE TO BE METAL FOR MAGNETIC ATTACHMENT AND TO BE COVERED WITH FABRIC TO BE PROVIDED

PAINT COLOR TBD
(NOT MAGNETIC)



ISSUED/REVISED		
No.	Date	Description
11-18-16		

DRAWING TITLE
**WHITE BERYL
INSTALLATION**

Scale

Issue Date

File Name

DRAWING
No.